



ام ايه في للتجهيزات المعدنية ذ.م.م

MAV METALLIC EQUIPMENT L.L.C

TEL: +971 4 2555501, FAX: +971 4 2555502, DUBAI, U. A. E

EMAIL: info@mavbuildingmaterials.ae, admin@mavbuildingmaterials.ae, sales@mavbuildingmaterials.ae

ORIGINATED FROM TOP DESIGN PHILOSOPHY.

ARTISTIC SOURCE IN LIFE, IN SPACE WITH

THE DESIGN OF INSPIRATION MAKE

TENDER FEELING LET CURRENT SQUARE

BETWEEN



ام ايه في للتجهيزات المعدنية ذ.م.م

MAV METALLIC EQUIPMENT L.L.C

TEL: +971 4 2555501, FAX: +971 4 2555502, DUBAI - U. A. E

EMAIL: info@mavbuildingmaterials.ae, admin@mavbuildingmaterials.ae, sales@mavbuildingmaterials.ae

DORRENHAUS

DORRENHAUS

DORRENHAUS



Art and design roots in natural life!



Stainless Steel Door Furniture

Introduction – Stainless Steel Door Furniture

Door handles are a prominent design feature in any project and KANEE appreciates the importance in choosing the right handle to suit your design, specification and budget.

The KANEE range of stainless steel door furniture is ideal for the majority of applications, suitable for use in contract, public, commercial, institutional and residential buildings.

The S and SA Series of lever furniture is a wide selection of excellent value stainless steel sprung and unsprung handles, ideal for low budget projects where design or quality cannot be compromised. The S and SA Series of lever furniture is a range of premium solid stainless steel furniture with metal spring cassette construction tested to 200,000 cycles.

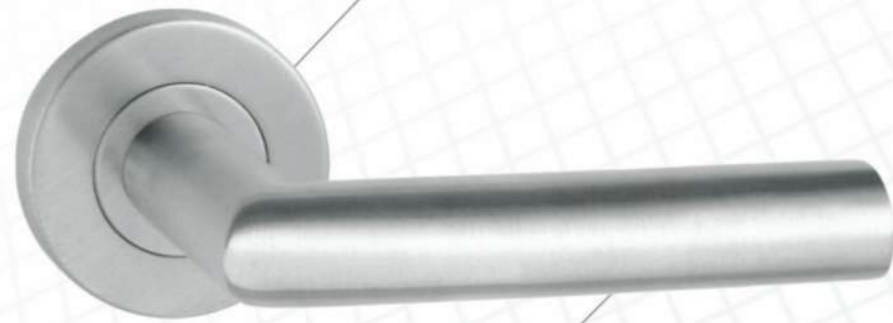
KANEE also offer a range of stainless steel pull handles and stainless steel accessories.

Features and Functions

The following diagram gives an overview of the main features and functions of a KANEE stainless steel lever handle. For a full explanation of terminology.

Rose

The component containing the door handle mechanism.
All KANEE stainless steel lever furniture feature a round rose and back plate design



Handle

Sprung Lever handles that are spring loaded. This will enable the handle to return to the horizontal position after use, independent of any spring action in the lock.	Unsprung Handles that operate without the assistance of a spring, but rely on the sprung follower within the lock case to return to the horizontal position	Non - handed All KANEE stainless steel door furniture is non-handed, meaning the product can be used universally on either the left or right hand side of the door.
--	---	---

Stainless Steel Door Furniture

Introduction – Stainless Steel Door Furniture

KANEE stainless steel door furniture is available in a variety of designs.

Please check each individual specification sheet for measurements.

If you require a product that assists in fulfilling the duties required under the Disability Discrimination Act (DDA), these products are denoted by the following symbol:



Finishes

KANEE stainless steel door furniture is available in Polished Stainless Steel (PSS), Satin Stainless Steel (SSS) and Physical Vapour Deposition (PVD). Antique Brass (AB) available upon request. See individual product pages for availability.

What is PVD:

PVD stands for physical vapour deposition which is a manufacturing process that creates a very durable film and is commonly used for bathroom fixtures and architectural ironmongery which needs to be highly tarnish resistant.

The process involves the deposition of zirconium nitride, titanium nitride, or other metallic ion combinations under low vacuum conditions to in effect seal and preserve the finish.

The PVD process provides an extremely hard wearing finish even though the coating is only 0.5microns thick to resist scratches, wear, discolouration and corrosion. In addition to this PVD finishes provide outstanding resistance to household cleaners and environmental factors.

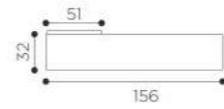
The major benefit of PVD is that the original appearance is retained far into the future. Over time PVD will outlast traditional decorative finishes such as coloured lacquers and metal electroplated finishes.

RK.4111.MSN

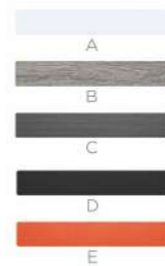


Material: Aluminium alloy

Size



Magnetic suction lock body door handle can effectively reduce the noise generated by opening and closing the door. It is very suitable for use in bedrooms, study rooms, offices and other rooms that need to be kept quiet.



Door lock handle details:
 - Product name: Door knob with key/
 Door handles with lock/Door lever lock set
 - Color: A,B,C,D,E
 - Material: Aluminium alloy
 - Adapted door thickness: 35-50mm
 - Door opening direction: Universal
 - Whether with key: YES
 - Center distance: 60mm
 - Latch Type: Magnetic lock body
 - Applicable scene: bathroom, studio, balcony, porch, patio, kitchen, bedroom, closet, living room, dining room, home office/study, utility room/laundry room, corridor, garage, toilet

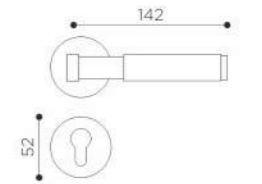
RK.4110.BLK

ZR230466



Material: Zinc Alloy

Size

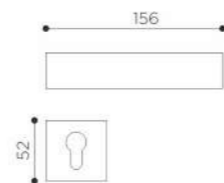


RH.9693



Material: Zinc Alloy

Size

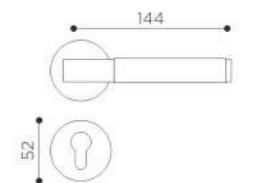


ZR220540



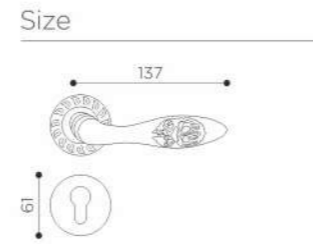
Material: Zinc Alloy

Size



ZR-416

Material: Zinc Alloy



BLK | Black



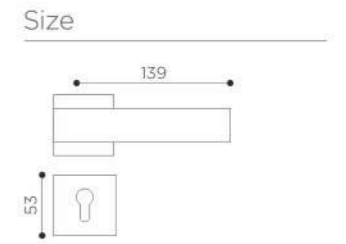
MSN | Matt Satin Nickel



PVD | Physical Vapour Deposition

ZR180603

Material: Zinc Alloy



BLK | Black



MSB | Matt Satin Brass



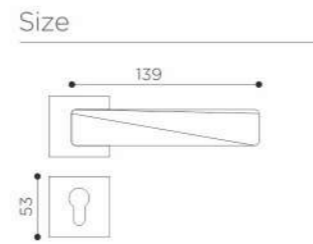
MAB | Matt Antique Brass



PVD | Physical Vapour Deposition

ZR180601

Material: Zinc Alloy



BLK | Black



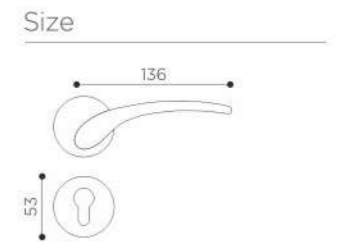
MSN | Matt Satin Nickel



PVD | Physical Vapour Deposition

ZR180605

Material: Zinc Alloy



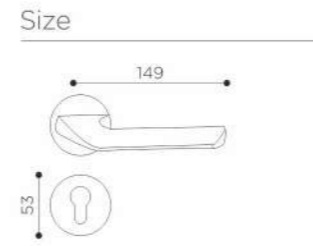
MSN | Matt Satin Nickel



CP | Chrome Plated

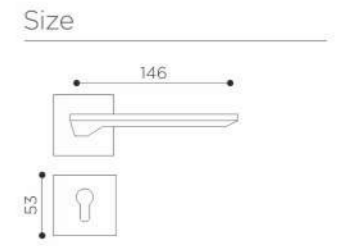
ZR180606

Material: Zinc Alloy



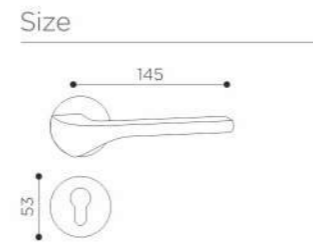
ZR190907

Material: Zinc Alloy



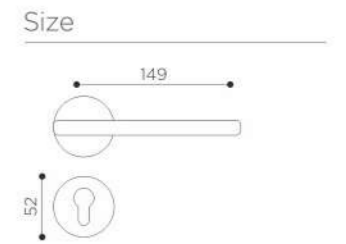
ZR180701

Material: Zinc Alloy



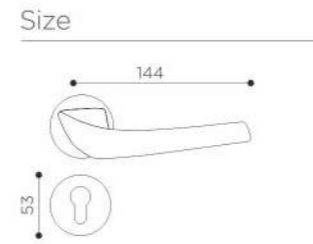
ZR190908

Material: Zinc Alloy



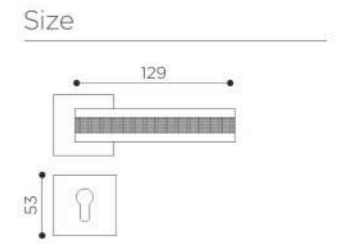
ZR191238

Material: Zinc Alloy



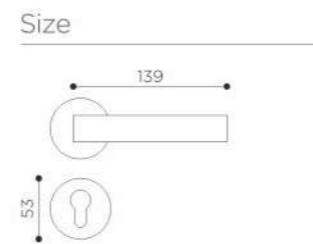
ZR200751

Material: Zinc Alloy



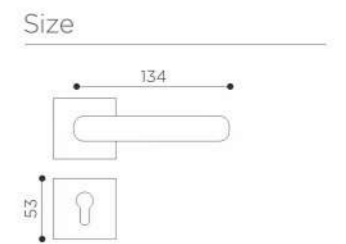
ZR191241

Material: Zinc Alloy



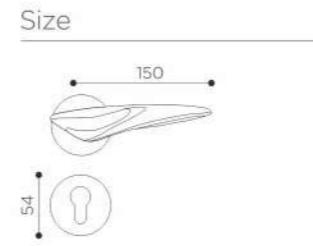
ZR200752

Material: Zinc Alloy



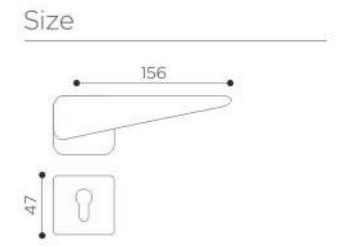
ZR200988

Material: Zinc Alloy



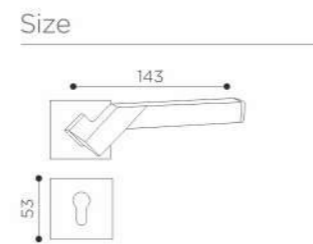
ZR210147

Material: Zinc Alloy



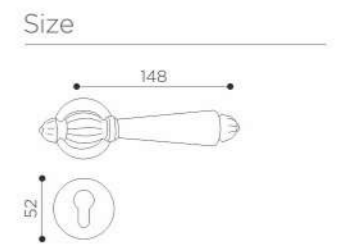
ZR210146

Material: Zinc Alloy



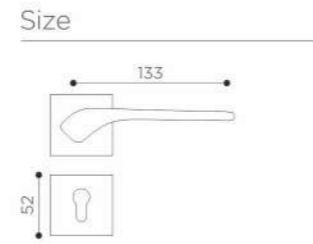
ZR210435

Material: Zinc Alloy



ZR210438

Material: Zinc Alloy



MAB | *Matt Antique Brass*



PVD | *Physical Vapour Deposition*



BLK | *Black*



MBS | *Black Satin Nickel*



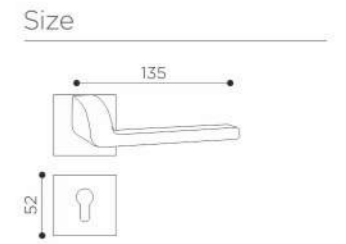
MSN | *Matt Satin Nickel*



MSB | *Matt Satin Brass*

ZR220538

Material: Zinc Alloy



BLK | *Black*



MBS | *Black Satin Nickel*



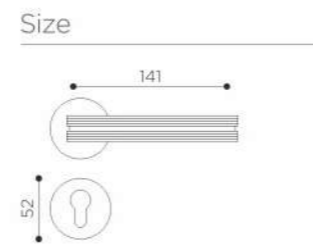
MSN | *Matt Satin Nickel*



MSB | *Matt Satin Brass*

ZR210958

Material: Zinc Alloy



BLK | *Black*



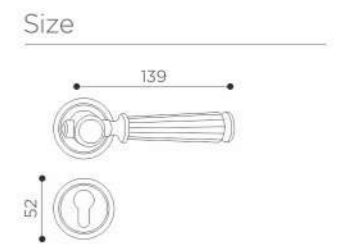
MSN | *Matt Satin Nickel*



MSB | *Matt Satin Brass*

ZR220539

Material: Zinc Alloy



BLK | *Black*



COF | *Coffee*



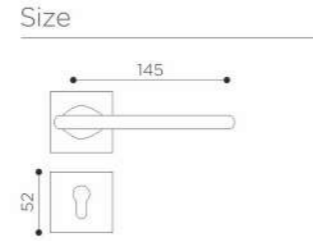
MAB | *Matt Antique Brass*



PVD | *Physical Vapour Deposition*

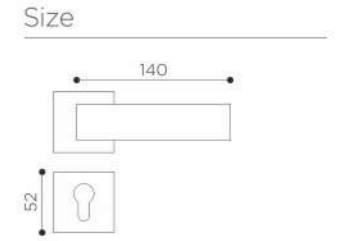
ZR220683

Material: Zinc Alloy



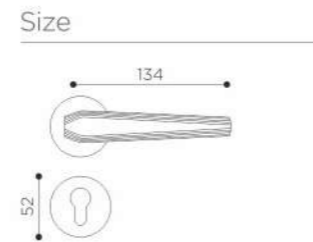
ZR220933

Material: Zinc Alloy



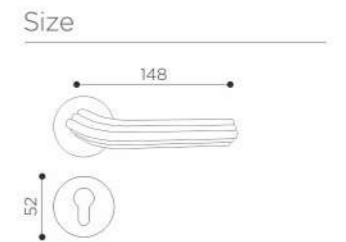
ZR220684

Material: Zinc Alloy



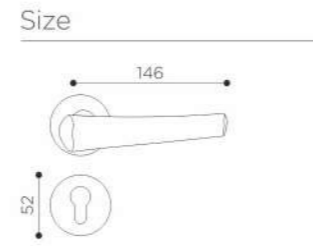
ZR230400

Material: Zinc Alloy



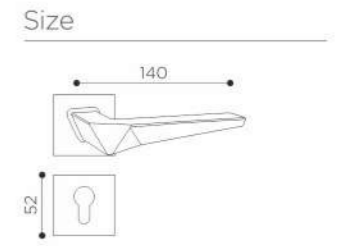
ZR230444

Material: Zinc Alloy



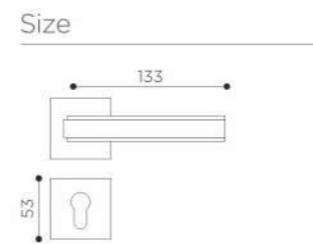
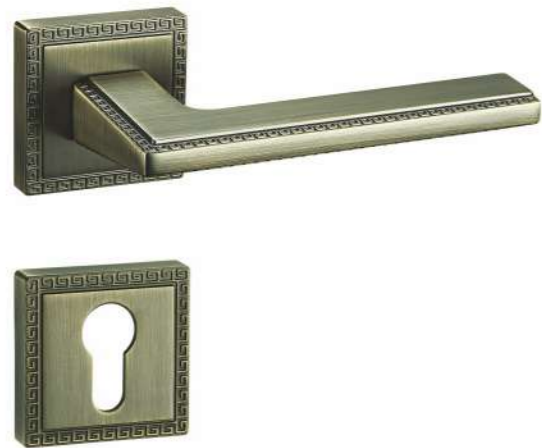
ZR230468

Material: Zinc Alloy



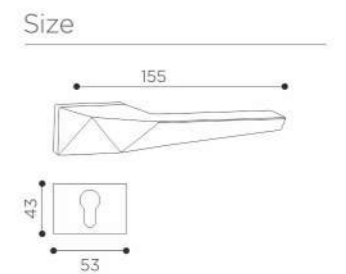
ZR230455

Material: Zinc Alloy



ZR230469

Material: Zinc Alloy

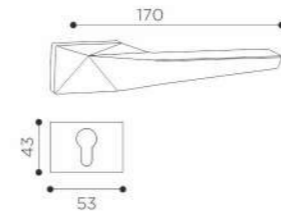


ZR230470

Material: Zinc Alloy



Size



MBS | *Black Satin Nickel*



MSB | *Matt Satin Brass*



MSN | *Matt Satin Nickel*



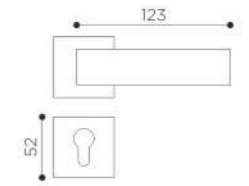
MAB | *Matt Antique Brass*

RH.9401

Material: Zinc Alloy



Size



BLK | *Black*



MSN | *Matt Satin Nickel*



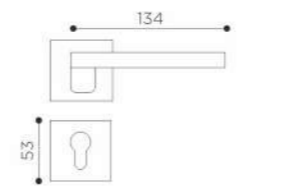
MAB | *Matt Antique Brass*

RH.9036

Material: Zinc Alloy



Size



MSN | *Matt Satin Nickel*



MBS | *Black Satin Nickel*



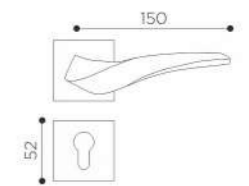
BLK | *Black*

RH.9518

Material: Zinc Alloy



Size



MBS | *Black Satin Nickel*



MSB | *Matt Satin Brass*



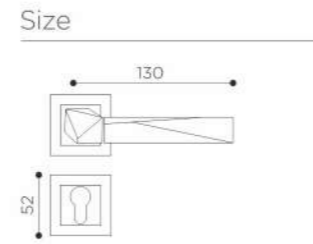
MSN | *Matt Satin Nickel*



PVD | *Physical Vapour Deposition*

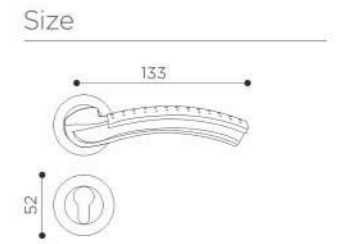
RH.9602

Material: Zinc Alloy



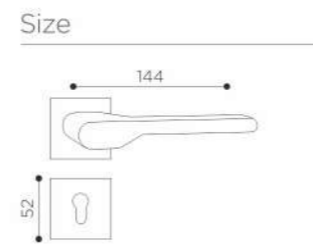
RH.9611

Material: Zinc Alloy



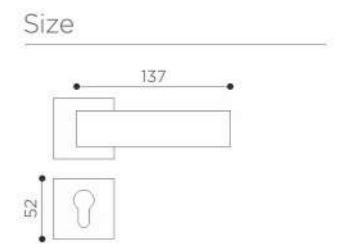
RH.9610

Material: Zinc Alloy



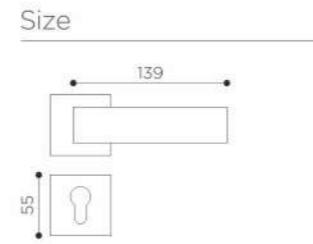
RH.9633

Material: Zinc Alloy



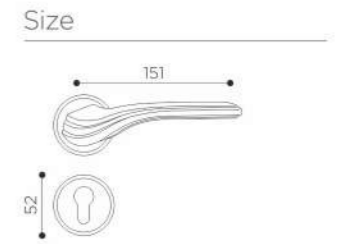
RH.9644

Material: Zinc Alloy



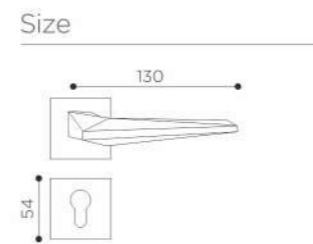
RH.9671

Material: Zinc Alloy



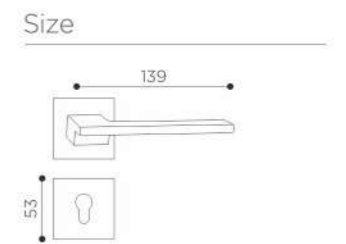
RH.9670

Material: Zinc Alloy



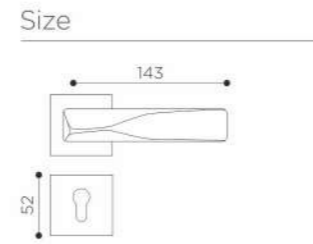
RH.9673

Material: Zinc Alloy



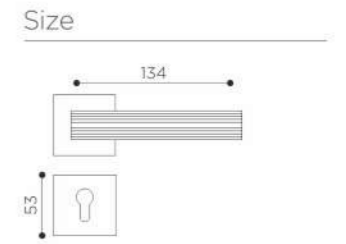
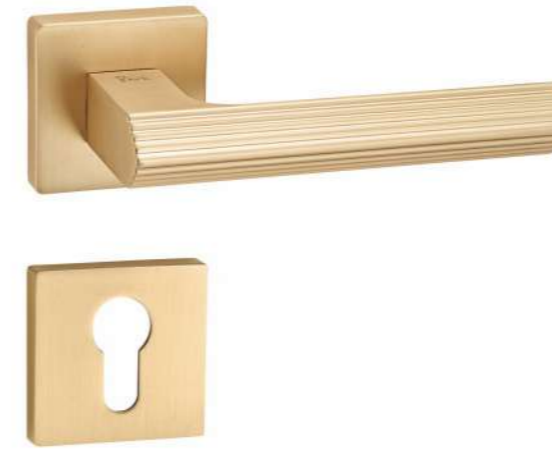
RH.9675

Material: Zinc Alloy



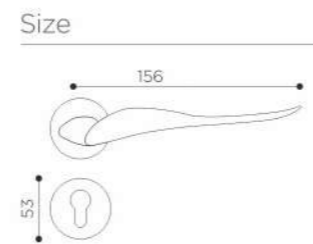
RH.9679

Material: Zinc Alloy



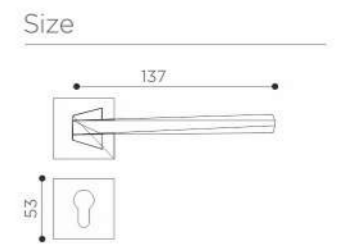
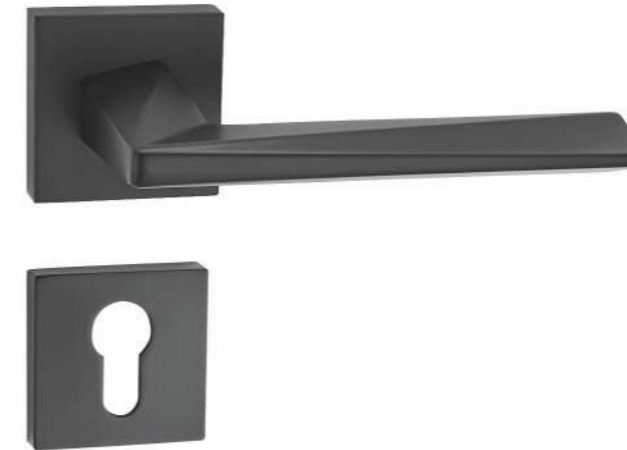
RH.9678

Material: Zinc Alloy



RH.9680

Material: Zinc Alloy



RH.9682



BLK | Black



MSN | Matt Satin Nickel



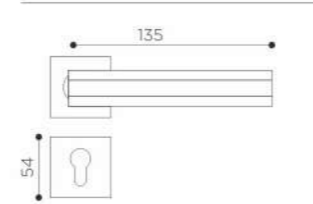
MAB | Matt Antique Brass



PVD | Physical Vapour Deposition

Material: Zinc Alloy

Size



RH.9690



MSB | Matt Satin Brass



BLK | Black



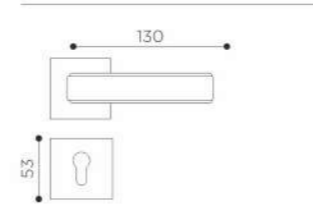
MSN | Matt Satin Nickel



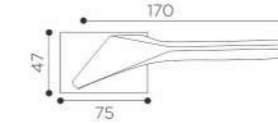
COF | Coffee

Material: Zinc Alloy

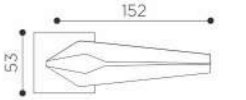
Size



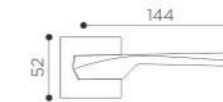
ZR-501 MSN



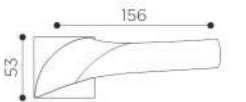
ZR200819 MSN



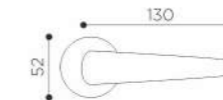
ZR200754 MSN



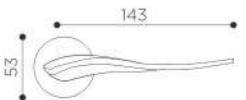
ZR18101 MSN



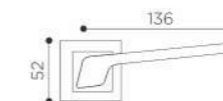
ZR-688 MSN



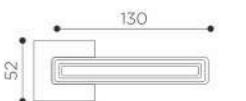
RH.9681.MSN



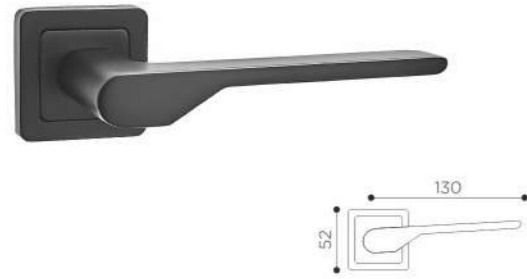
RH.9438.MSN



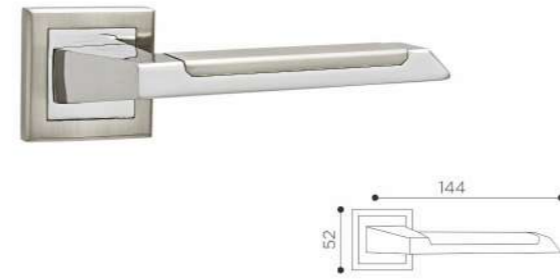
RH.9677.MSN



RH.9615.BLK



RH.9354.MSNCP



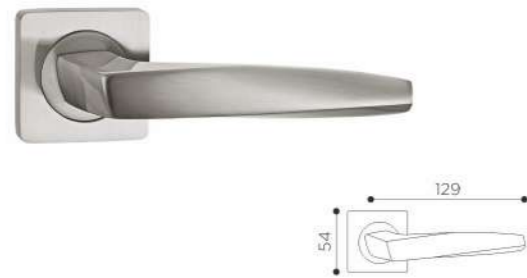
RH.9574.MSN



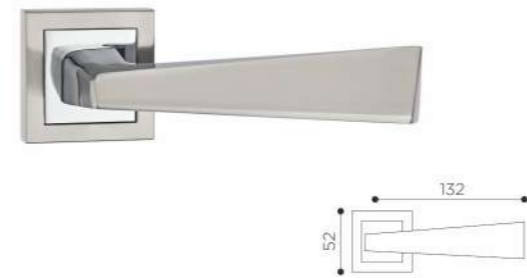
RH.9605.MSNCP



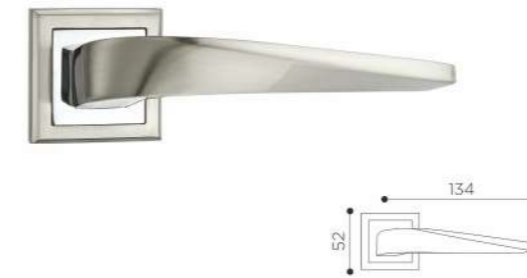
RH.9553.MSN



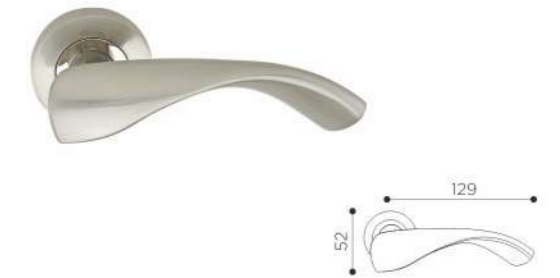
RH.9387.SNCP



RH.9728.SNCP



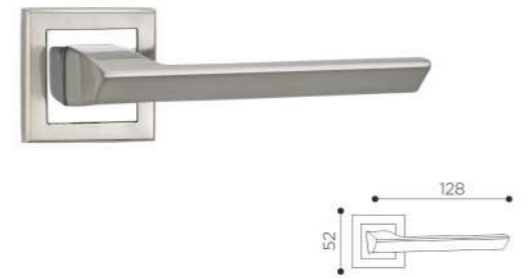
RH.9115.SNCP



RH.9341.SNCP



RH.9568.SNCP



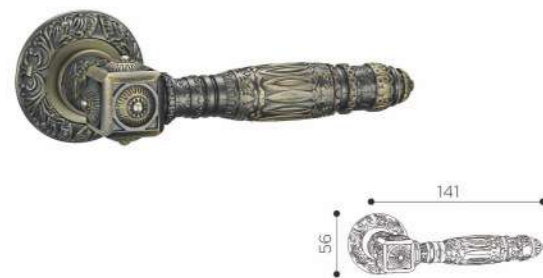
RH.9092.SNCP



RH.9099.SNCP



RH.9715.DAB



RH.9280.SN



RH.9101.SNCP



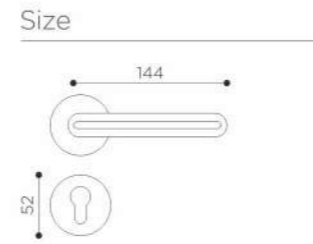
RH.9391.SNCP



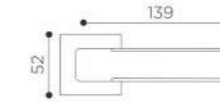
ALA.6691MSNCP



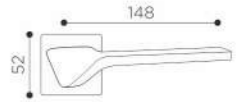
Material: Aluminum Alloy



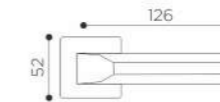
ALA.6782.DAB



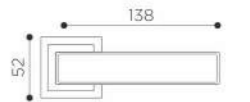
ALA.6589.BLK.R31R



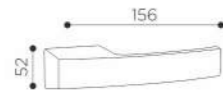
ALA.6403.MSN



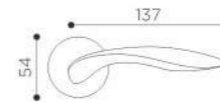
ALA.6501.MSNYK



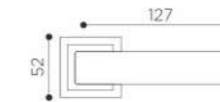
ALA.6017.MSN



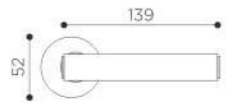
ALA.6537.MSN



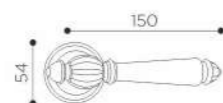
ALA.6683.MSN



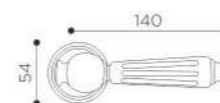
ALA.6515.MSN



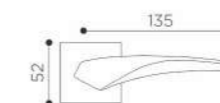
ALA.6538.MSB



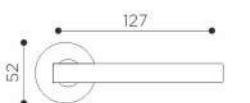
ALA.6539.PVD



ALA.6439.MSN



ALA.6239.MSN



KN.G01.SNCP



KN.G13.SN



RH.G23.SNCP.R6



KN.G24.MSN



KN.G14.PVD



KN.G15.SNCP



KN.G32.BLK



KN.G33.SNCP



KN.G21.SNCP



KN.G22.SN



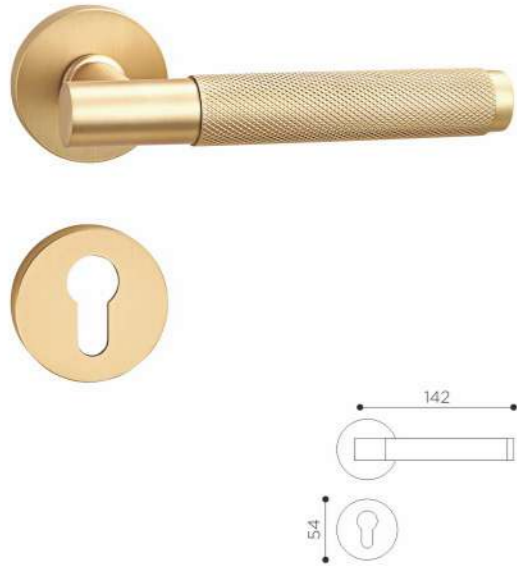
KN.G40.SNCP



KN.G44.MSB



BA.8832.MSB



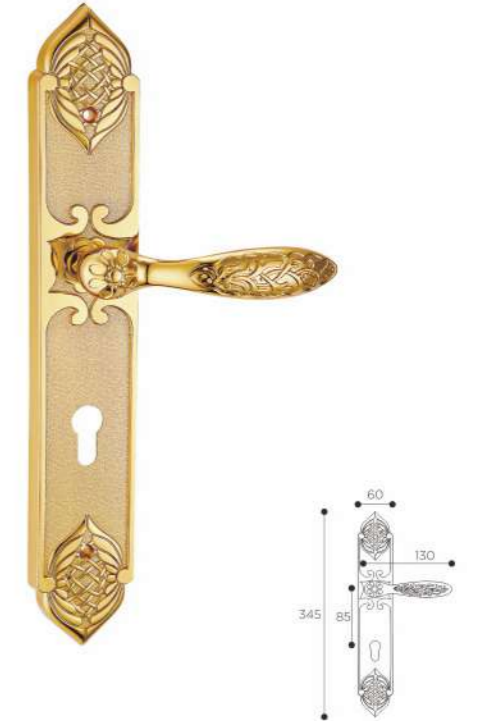
BA.8833.MSB



8810.8801.RGP



8812.8803.RGP



BA.8835.RGP



BA.8836.BLK



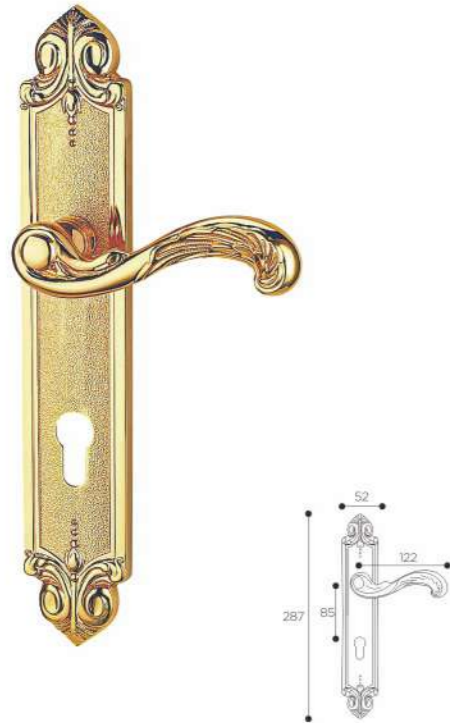
8814.8805.DAB



8823.8814.RGP



8825.8816.RGP



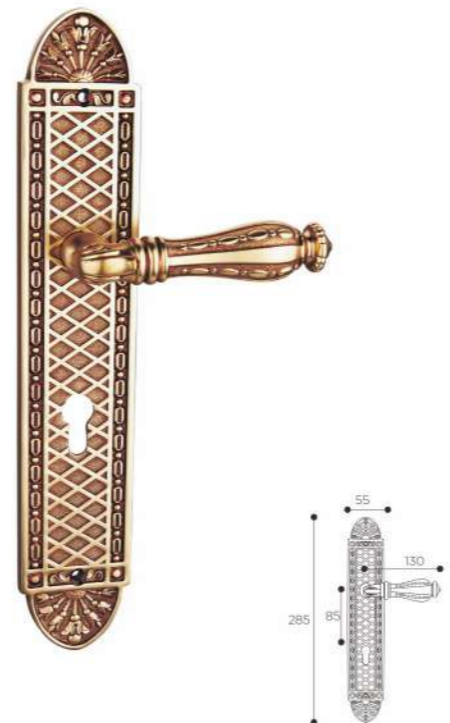
8827.8812.DAB



8840.8828.EG



8841.8829.EG

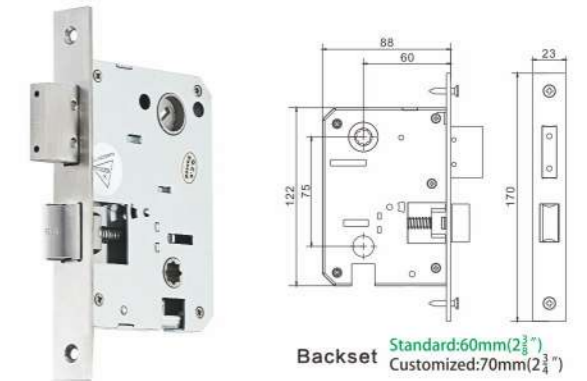


ISO 9001:2015

EH.8103.A.MSN

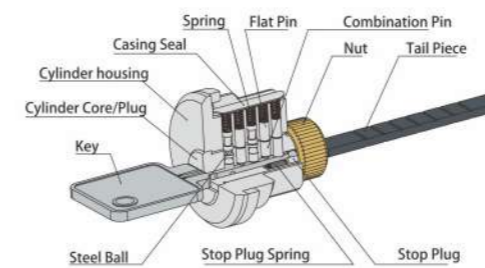


THE 5TH GENERATION MORTISE LOCK CASE

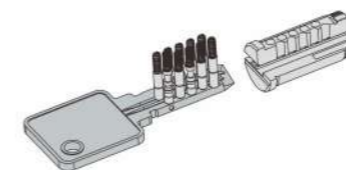


- Rotor: Solid investment-casting stainless steel 304, anti-rust, stronger and more durable than brass and zinc alloy.
- Cam: Solid investment-casting stainless steel 304, anti-rust, stronger and more durable than brass and zinc alloy.
- Casing: High class imported EGI (electric galvanized) steel, higher grade fingerprint resistant, thickness 1.5mm.
- Latch: Solid investment-casting stainless steel 304, anti-rust, stronger and more durable than brass and zinc alloy, easily reversible for left and right handing.
- Deadbolt: Solid stainless steel 304, reinforced with two hardened steel inserts, anti-saw, anti-rust, stronger and more durable than brass and zinc alloy, offering maximum protection and security.
- Forend (thickness 3.0mm)/Strike plate (thickness 1.5mm): Solid stainless steel 304 or brass.

The Structure Of 81 Series Cylinder



Double-row-pin With Construction Key Function



THE 3RD GENERATION HIGH-1 TECH CYLINDER



- High-tech solid brass cylinder (Brass for housing, core/ plug, pins and nut).
- Machined by precise CNC (Computer Numeric Control) equipments according to the most strict QA standard.
- Keyway: Double-Row- Pin technology, 10 pins, pin-combinations are much more than international standard, extremely security.
- Construction key function available: Each cylinder with 5 pcs. OWNER keys + 1 pc CONSTRUCTION key, all keys are made by solid brass, thickness 2.5mm. Hardened process for tail-piece, stronger and more durable.

HP.9500.9350/200 SNCP-R



HP.9251.9280/100 SNCP-R



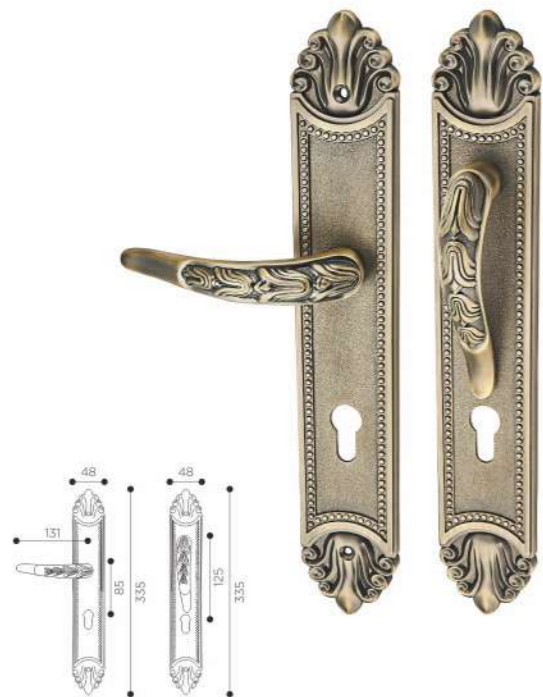
HP.9063.9649/F001.SNCP-L



HP.9063.9511/G31A.SNCP-L



HP.9218.9304/300.DAB-L



HP.9580.9402/G46.PVD-L



HP.9608.9611/300.SNCP-L



HP.9608.9611/G31 SNCP-L



HP.9590.9752/G44.MSN-L



HP.9321.9511A.SNCP



HP.9321.9354.SNCP



HP.9542.9439/G45.MSN-L



HP.9251.9198/100 SNCP-L



HP.9321.9553.MSN



HP.9321.9681.MSN



HP.9542.9341.MSNCP



HP.9542.9568.BLK



HP.9542.9601.MSN



HP.9542.9605.MSNCP



HP.9542.9670.MBS



HP.9542.9677.MSN



HP.9542.9615.DAB



HP.9542.9518.MSN



HP.9580.9402.MSN



HP.9580.9518.MSN



HP.9580.9601.DAB



HP.9580.9633.MSN



HP.9580.9438.MSN



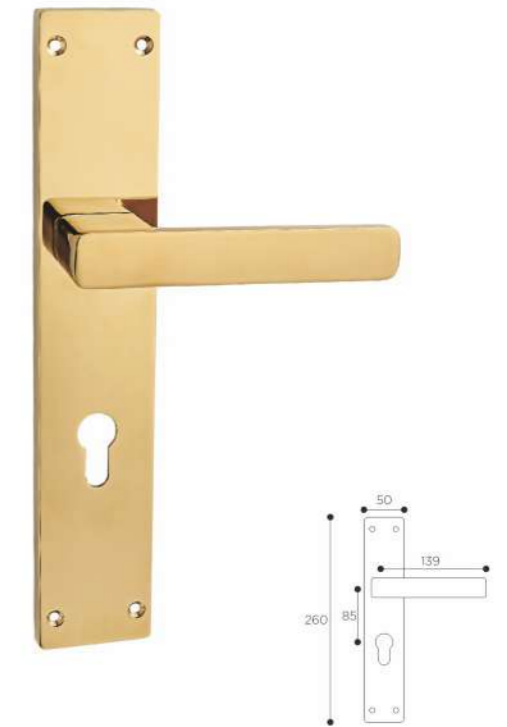
HP.9580.9670.MSN



HP.9580.9437.BLK



HP.9580.9644.PVD



HP.9580.9401.MSN



HP.9580.9675.MSN



HP.9063.9511A.SNCP



HP.9391.9391.SNCP



HP.9013.9280.SNCP



HP.9013.9611.SNCP



HP.9208.9301.COF



HP.9208.9310.DAB



HP.9210.9303.DAB



HP.9370.9361.DAC



HP.9609.9712.DAB



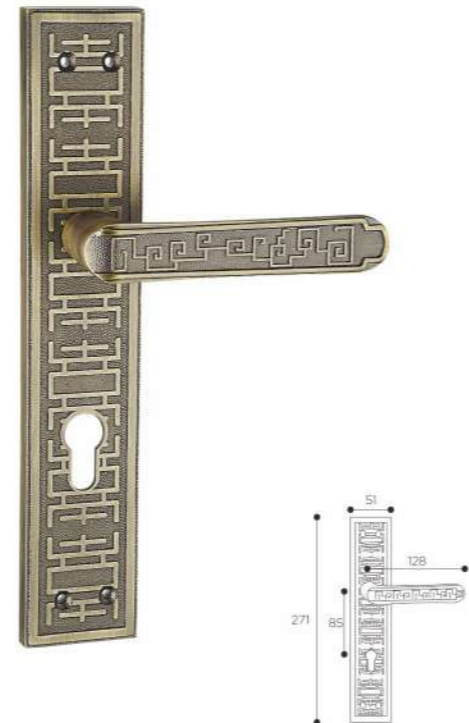
HP.9640.9225.PVD



HP.9377.9370.DAB



HP.9379.9720.DAB



HP.9608.9105.SNCP



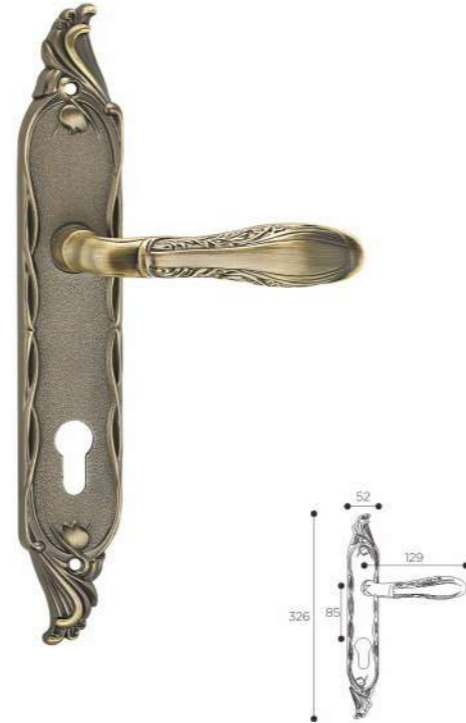
HP.9684.9115.DAB



HP.9703.9416.PVD



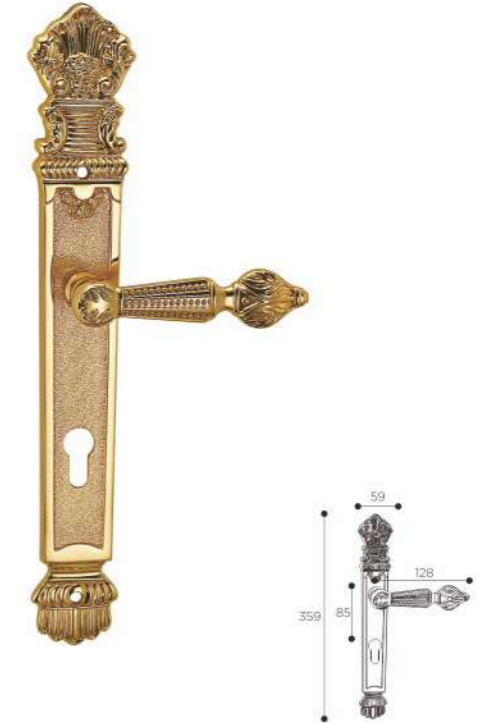
HP.9810.9716.DAB



HP.9809.9715.DAB



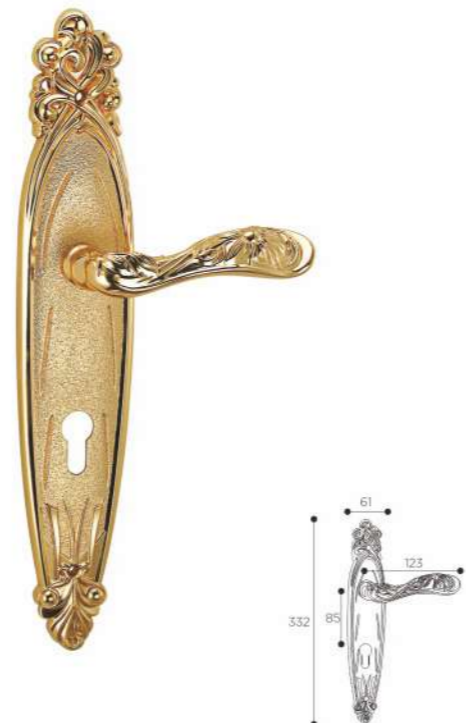
HP.9713.9719.RGP



HP.9805.9611.SNCP



HP.9811.9717.RGP



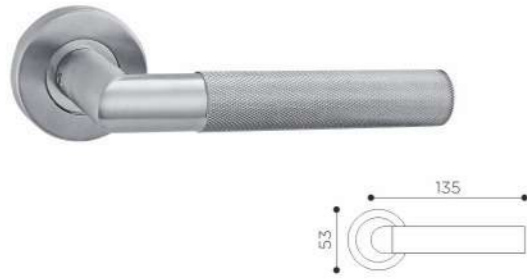
HP.9820.9720.DAB



HP.9828.9548.COF



SRH.301.SS



SRH.301.BLK



SRH.01.SS



SRH.02.SS



SRH.301.RG



SRH.301.SPVD



SRH.03.SS



SRH.04.SS



SRH.310.SS



SRH.312.SS



SRH.05.SS



SRH.06.SS



SRH.314.SS



SRH.240.SS.HO



SRH.07.SS



SRH.08.SS



SRH.09.SS



SRH.11.SS



SRH.22.SS.F



SRH.23.SS



SRH.13.SS



SRH.14.SS



SRH.24.SS.F



SRH.50.SS



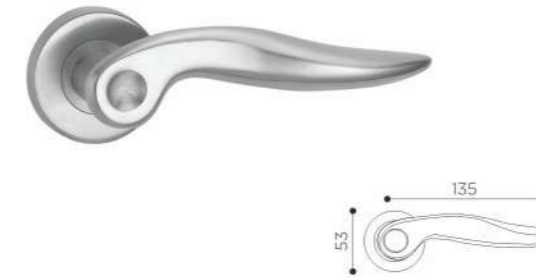
SRH.15.SS



SRH.16.SS.F



SRH.241.SS.HO



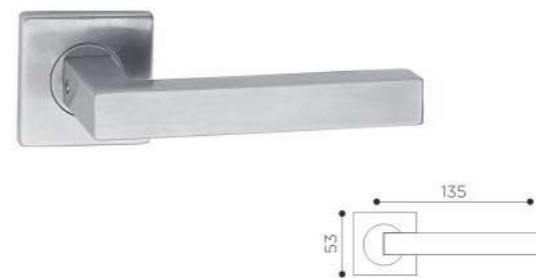
SRH.OV.01.SS



SRH.17.SS.F



SRH.18.SS.F



SRH.OV.03.SS



SRH.OV.10.SS



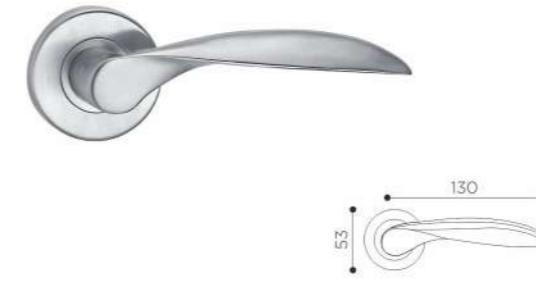
SRH.201.SS



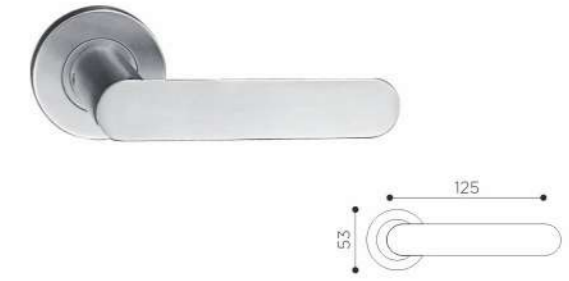
SRH.207.SS



SRH.216.SS



SRH.217.SS



SRH.208.SS



SRH.210.SS



SRH.219.SS



SRH.220.SS



SRH.211.SS



SRH.212.SS



SRH.221.SS



SRH.223.SS



SRH.213.SS



SRH.214.SS



SRH.230.SS



SRH.236.SS



SRH.237.SS



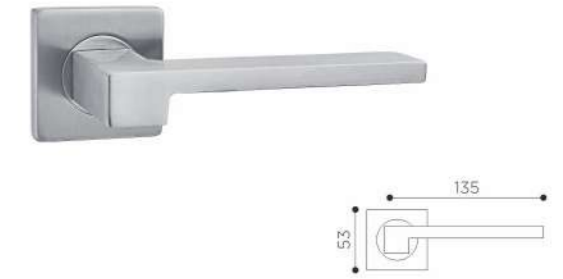
SRH.238.SS



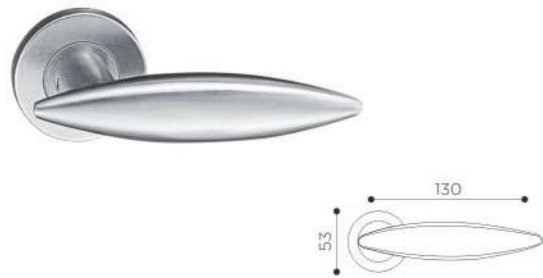
SRH.257.SS



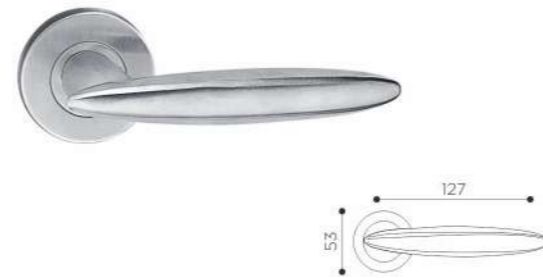
SRH.258.SS.F



SRH.239.SS



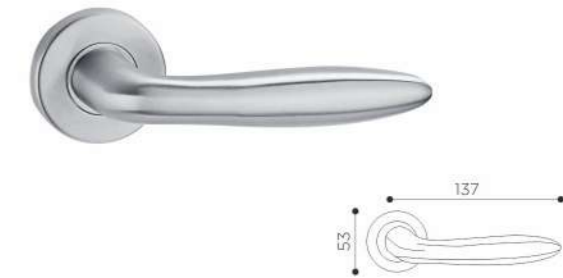
SRH.240.SS



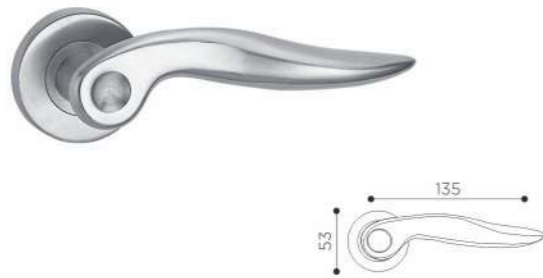
SRH.260.SS.F



SRH.261.SS



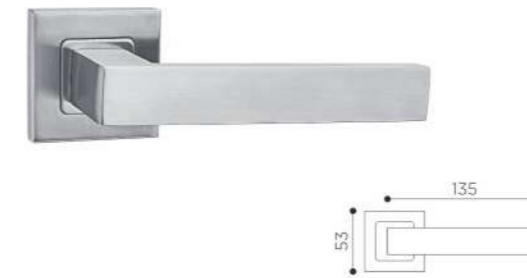
SRH.241.SS



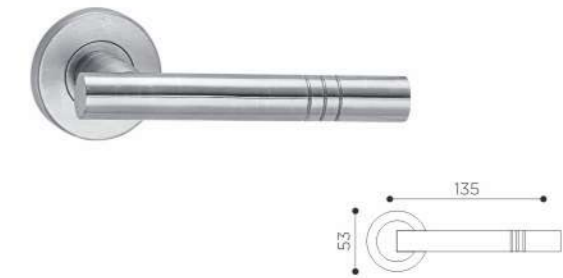
SRH.243.SS



SRH.311.SS.F



SRH.313.SS



SRH.248.SS



SRH.249.SS



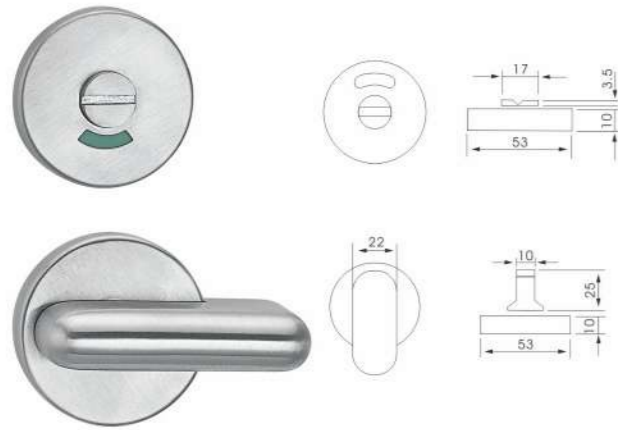
SRH.322.SS



SRH.323.SS.F



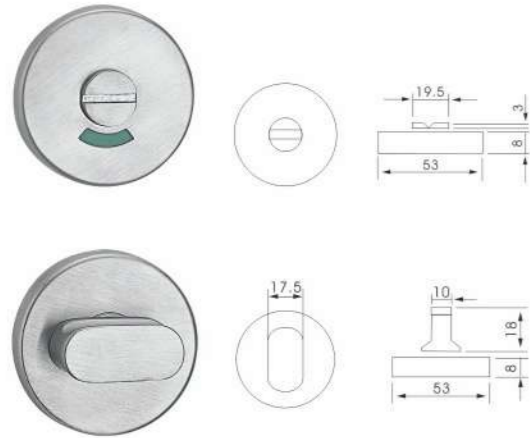
SW-01 SS



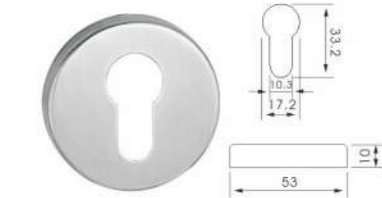
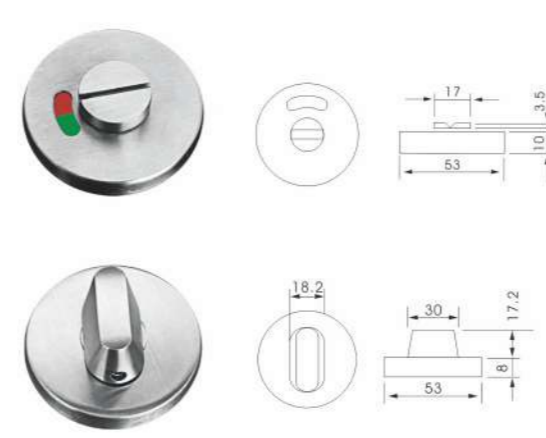
SW-02 SS



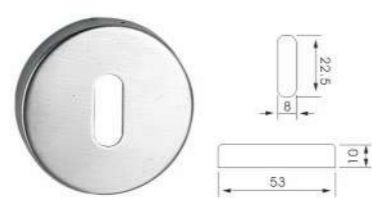
SW-03 SS



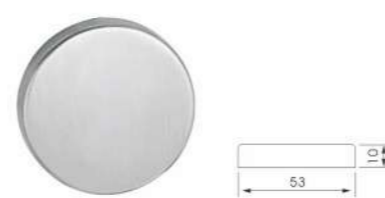
SW-04 SS



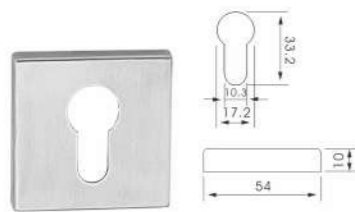
ES.SN01.SS



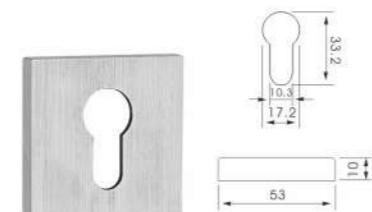
ES.SN02.SS



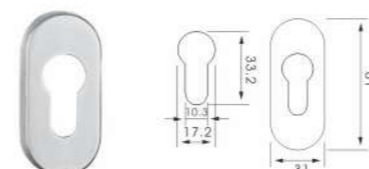
ES.SN01.NH.SS



ES.SN04.SS

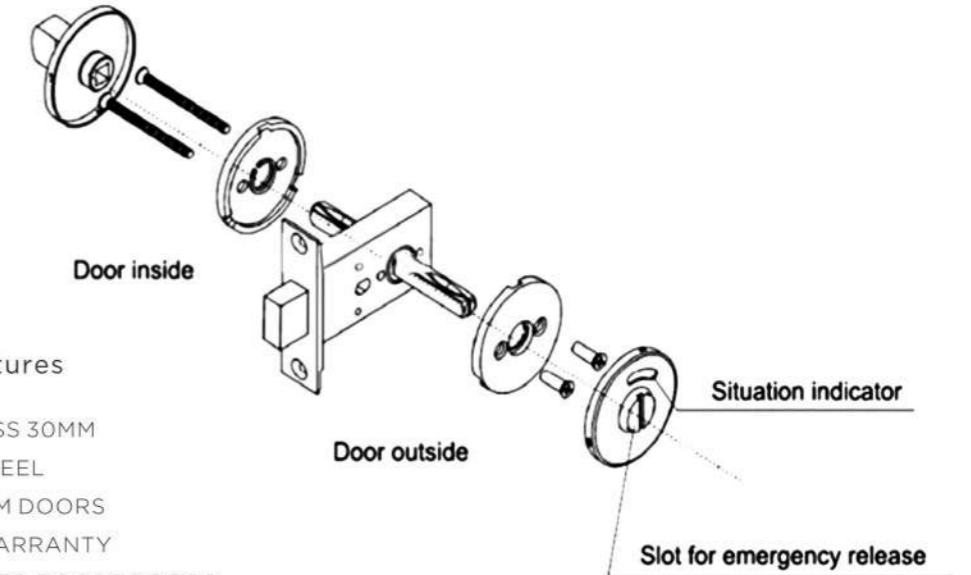


ES.SN05.SS
(Precision Casting Rings)



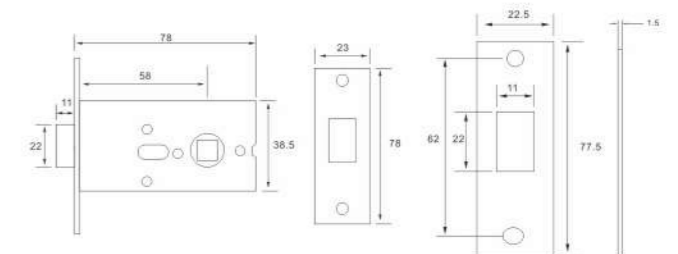
ES.SN03.SS

ISO 9001:2015



Specifications and Features

- MINIMUM DOOR THICKNESS 30MM
- GRADE 304 STAINLESS STEEL
- APPLICATION : BATHROOM DOORS
10 YEARS REPLACEBLE WARRANTY
WOODEN STEEL FIRE RATED DOORS DOORS





Application:

- For wooden doors between 32 and 50mm thick
- 19mm or 22mm diameter handle
- Sprung or un-sprung-please state when ordering
- Supplied with bolt-through fixings
- Concealed fixings

Operation:

- Lever handle

Accessories:

- OE-Oval-profile escutcheon
- EE-Euro-profile escutcheon
- ER-Emergency release
- T-Standard thumbturn



Features:

- Manufactured from Grade 304&316 steel
- Cycle tested to 200,000 cycles
- En 1906 Testing Approved

Finishes:

- SS-Satin Stainless Steel
- PSS-Polished Stainless Steel
- PVD-Physical Vapour Deposition



Application:

- For wooden doors between 32 and 50mm thick
- 19mm or 22mm diameter handle
- Sprung or un-sprung-please state when ordering
- Supplied with bolt-through fixings
- Concealed fixings

Operation:

- Lever handle

Accessories:

- OE-Oval-profile escutcheon
- EE-Euro-profile escutcheon
- ER-Emergency release
- T-Standard thumbturn

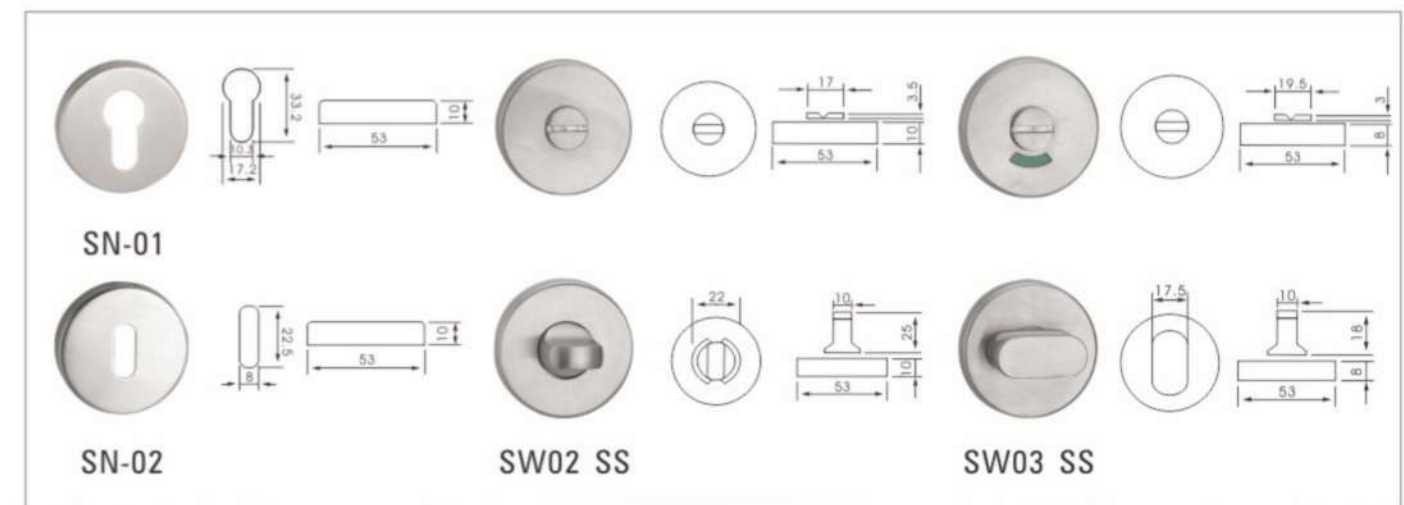
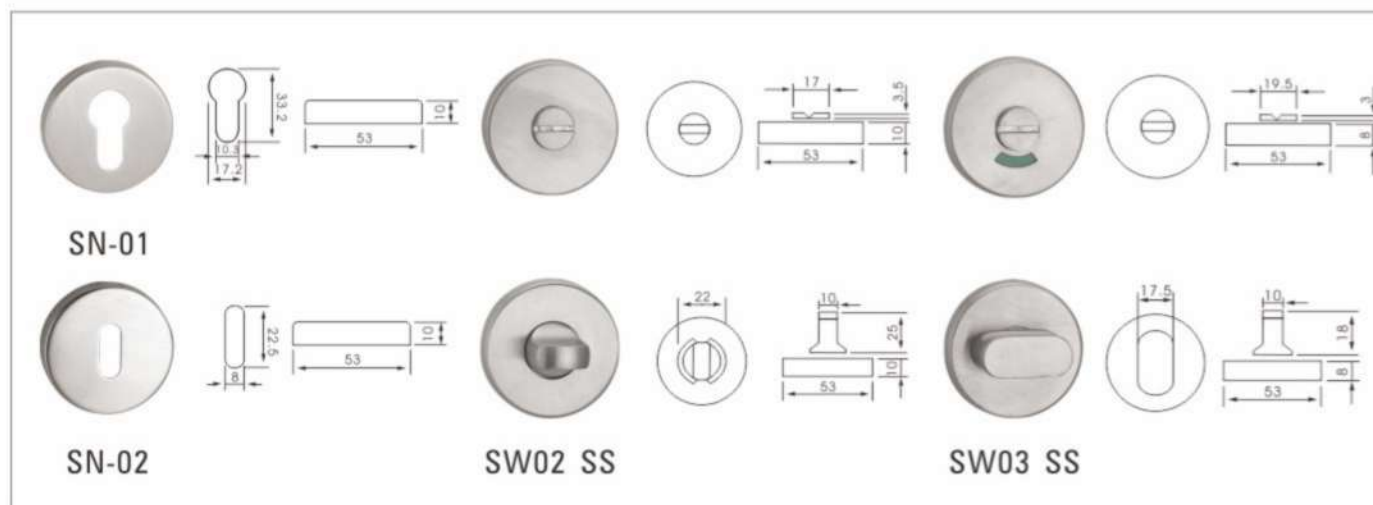


Features:

- Manufactured from Grade 304&316 steel
- Cycle tested to 200,000 cycles
- En 1906 Testing Approved

Finishes:

- SS-Satin Stainless Steel
- PSS-Polished Stainless Steel
- PVD-Physical Vapour Deposition





Application:

- For wooden doors between 32 and 50mm thick
- 19mm or 22mm diameter handle
- Sprung or un-sprung-please state when ordering
- Supplied with bolt-through fixings
- Concealed fixings

Operation:

- Lever handle

Accessories:

- OE-Oval-profile escutcheon
- EE-Euro-profile escutcheon
- ER-Emergency release
- T-Standard thumbturn



Features:

- Manufactured from Grade 304&316 steel
- Cycle tested to 200,000 cycles
- En 1906 Testing Approved

Finishes:

- SS-Satin Stainless Steel
- PSS-Polished Stainless Steel
- PVD-Physical Vapour Deposition



Application:

- For wooden doors between 32 and 50mm thick
- 19mm or 22mm diameter handle
- Sprung or un-sprung-please state when ordering
- Supplied with bolt-through fixings
- Concealed fixings

Operation:

- Lever handle

Accessories:

- OE-Oval-profile escutcheon
- EE-Euro-profile escutcheon
- ER-Emergency release
- T-Standard thumbturn

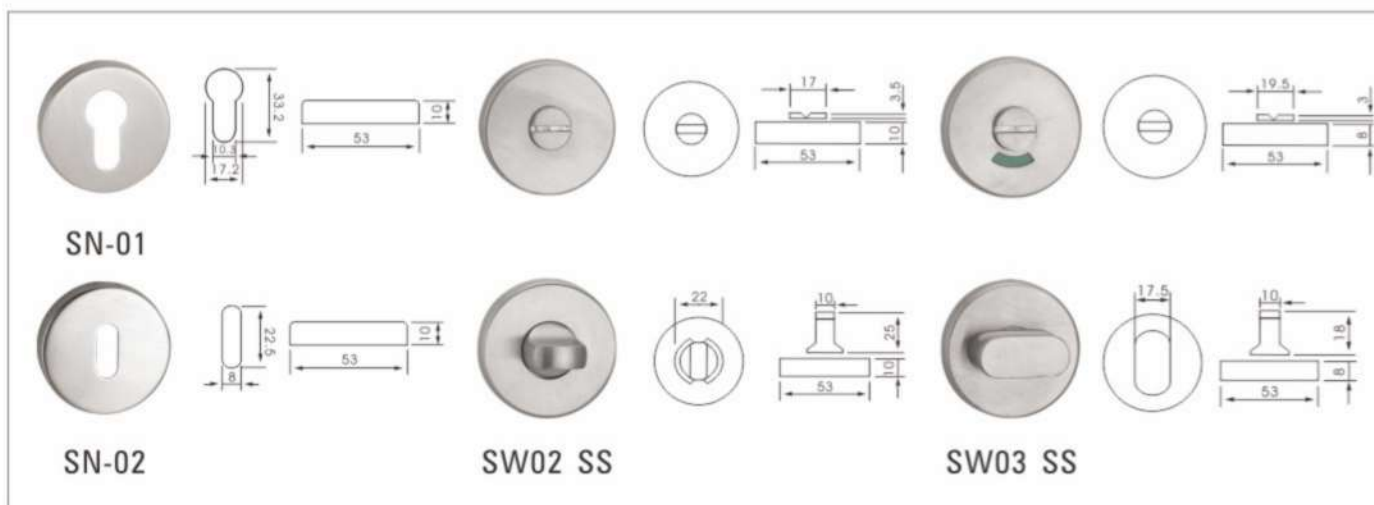


Features:

- Manufactured from Grade 304&316 steel
- Cycle tested to 200,000 cycles
- En 1906 Testing Approved

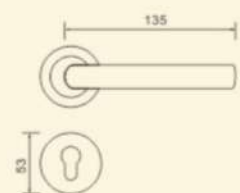
Finishes:

- SS-Satin Stainless Steel
- PSS-Polished Stainless Steel
- PVD-Physical Vapour Deposition

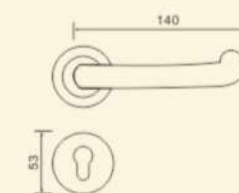




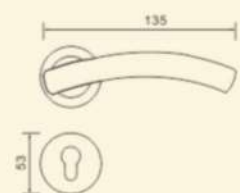
S-01 SS



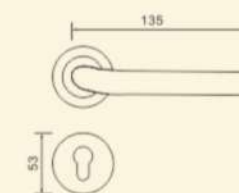
S-06 SS



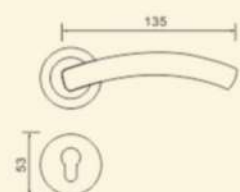
S-02 SS



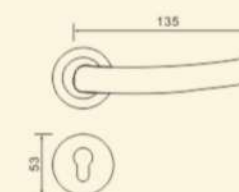
S-07 SS



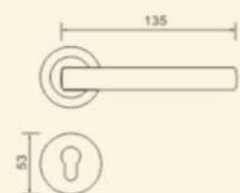
S-03 SS



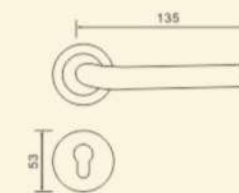
S-08 SS



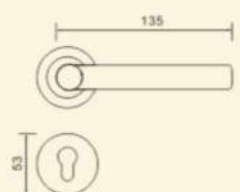
S-04 SS



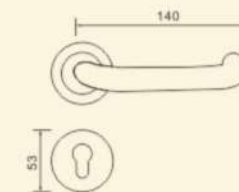
S-09 SS



S-05 SS

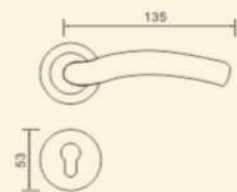


S-10 SS

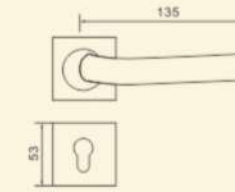




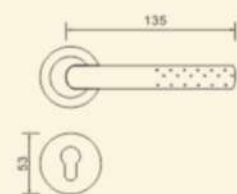
S-11 SS



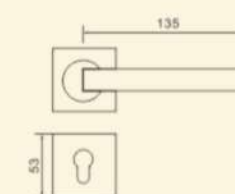
SF-17 SS



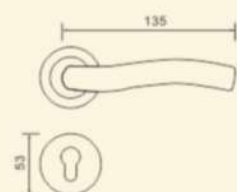
S-13 SS



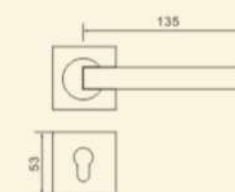
SF-18 SS



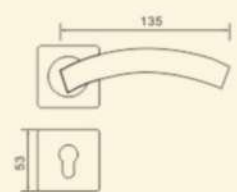
S-14 SS



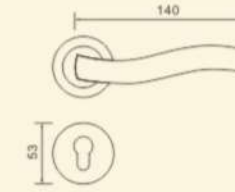
SF-22 SS



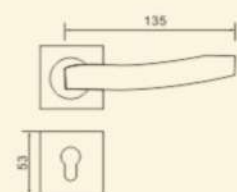
SF-15 SS



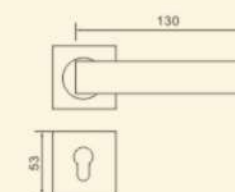
S-23 SS



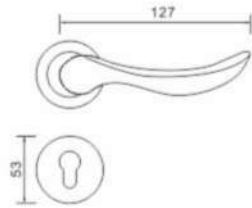
SF-16 SS



SF-24 SS



SA-201 SS



Application:

- For wooden doors between 32 and 50mm thick
- 19mm or 22mm diameter handle
- Sprung or un-sprung-please state when ordering
- Supplied with bolt-through fixings
- Concealed fixings

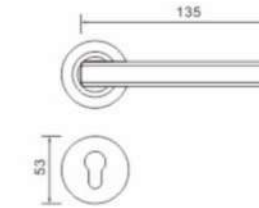
Operation:

- Lever handle

Accessories:

- OE-Oval-profile escutcheon
- EE-Euro-profile escutcheon
- ER-Emergency release
- T-Standard thumbturn

SA-210 SS



Application:

- For wooden doors between 32 and 50mm thick
- 19mm or 22mm diameter handle
- Sprung or un-sprung-please state when ordering
- Supplied with bolt-through fixings
- Concealed fixings

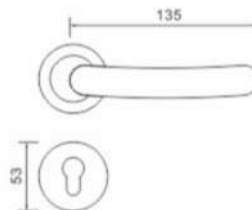
Operation:

- Lever handle

Accessories:

- OE-Oval-profile escutcheon
- EE-Euro-profile escutcheon
- ER-Emergency release
- T-Standard thumbturn

SA-207 SS



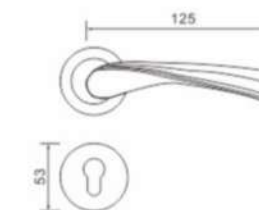
Features:

- Manufactured from Grade 304&316 steel
- Cycle tested to 200,000 cycles
- En 1906 Testing Approved

Finishes:

- SS-Satin Stainless Steel
- PSS-Polished Stainless Steel
- PVD-Physical Vapour Deposition

SA-219 SS



Features:

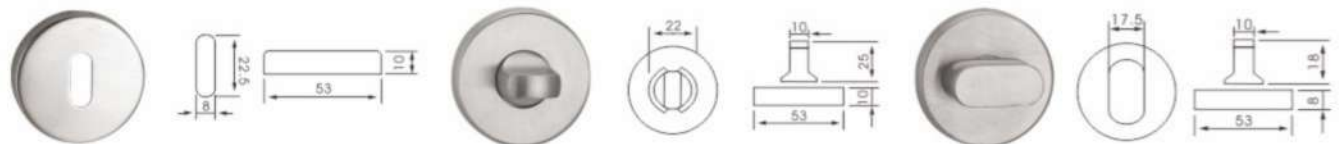
- Manufactured from Grade 304&316 steel
- Cycle tested to 200,000 cycles
- En 1906 Testing Approved

Finishes:

- SS-Satin Stainless Steel
- PSS-Polished Stainless Steel
- PVD-Physical Vapour Deposition



SN-01



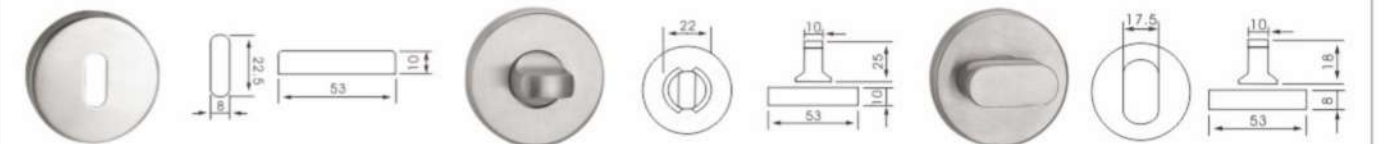
SN-02

SW02 SS

SW03 SS



SN-01



SN-02

SW02 SS

SW03 SS

SA-220 SS



Application:

- For wooden doors between 32 and 50mm thick
- 19mm or 22mm diameter handle
- Sprung or un-sprung-please state when ordering
- Supplied with bolt-through fixings
- Concealed fixings

Operation:

- Lever handle

Accessories:

- OE-Oval-profile escutcheon
- EE-Euro-profile escutcheon
- ER-Emergency release
- T-Standard thumbturn

SA-238 SS



Application:

- For wooden doors between 32 and 50mm thick
- 19mm or 22mm diameter handle
- Sprung or un-sprung-please state when ordering
- Supplied with bolt-through fixings
- Concealed fixings

Operation:

- Lever handle

Accessories:

- OE-Oval-profile escutcheon
- EE-Euro-profile escutcheon
- ER-Emergency release
- T-Standard thumbturn

SA-236 SS



Features:

- Manufactured from Grade 304&316 steel
- Cycle tested to 200,000 cycles
- En 1906 Testing Approved

Finishes:

- SS-Satin Stainless Steel
- PSS-Polished Stainless Steel
- PVD-Physical Vapour Deposition

SA-241 SS



Features:

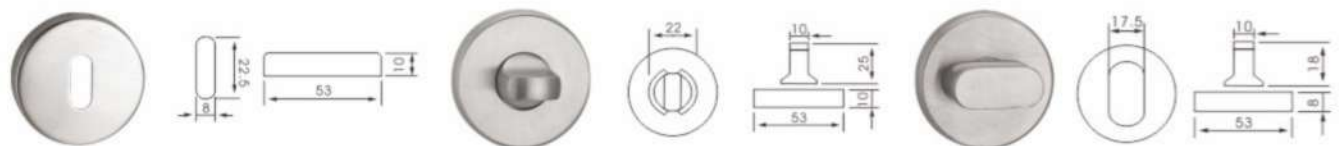
- Manufactured from Grade 304&316 steel
- Cycle tested to 200,000 cycles
- En 1906 Testing Approved

Finishes:

- SS-Satin Stainless Steel
- PSS-Polished Stainless Steel
- PVD-Physical Vapour Deposition



SN-01



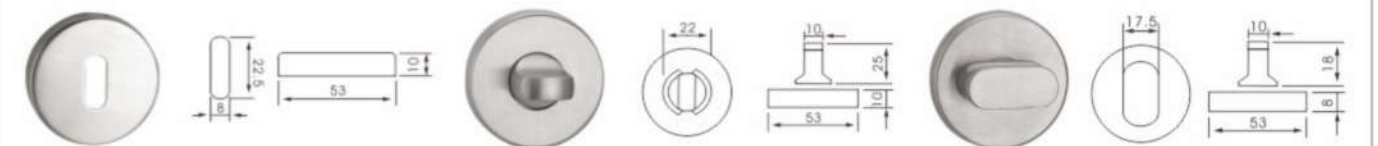
SN-02

SW02 SS

SW03 SS



SN-01



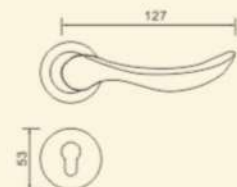
SN-02

SW02 SS

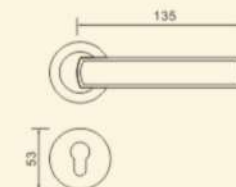
SW03 SS



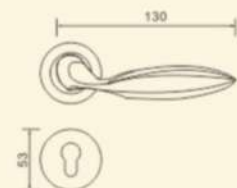
SA-201 SS



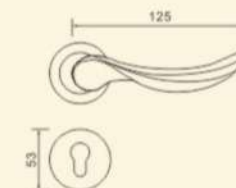
SA-205 SS



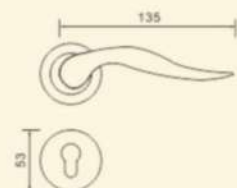
SA-202 SS



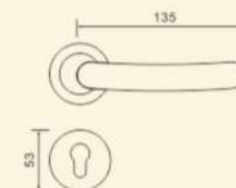
SA-206 SS



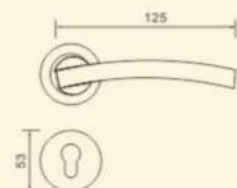
SA-203 SS



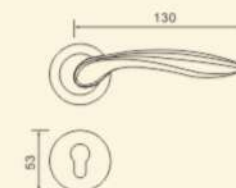
SA-207 SS



SA-204 SS

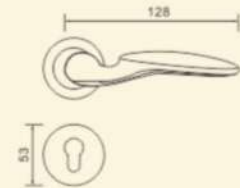


SA-208 SS

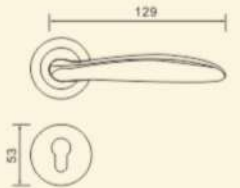




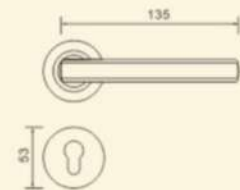
SA-209 SS



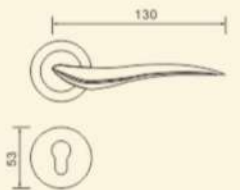
SA-213 SS



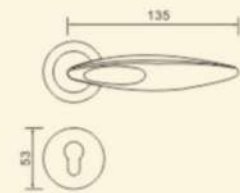
SA-210 SS



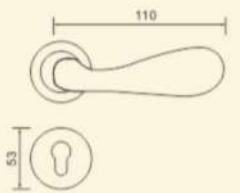
SA-214 SS



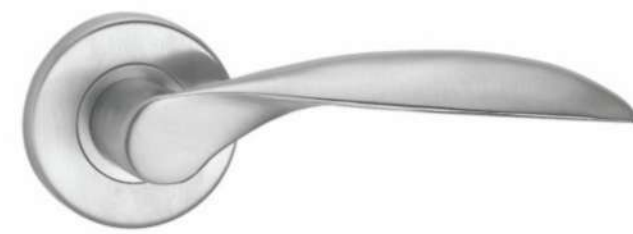
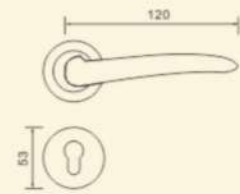
SA-211 SS



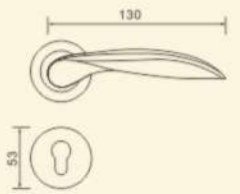
SA-215 SS

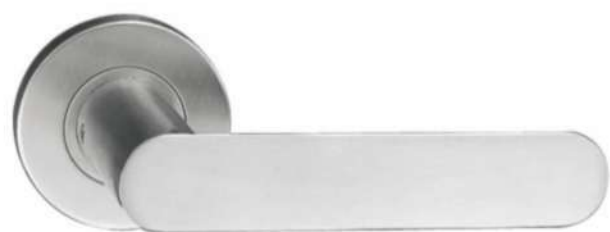


SA-212 SS

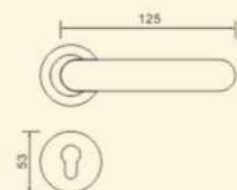


SA-216 SS

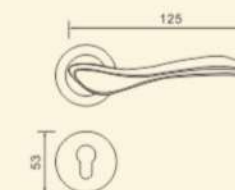




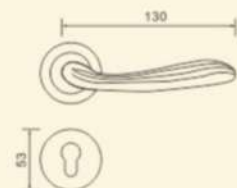
SA-217 SS



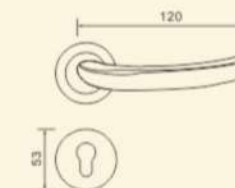
SA-221 SS



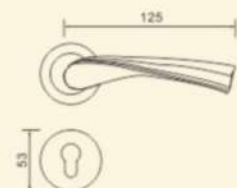
SA-218 SS



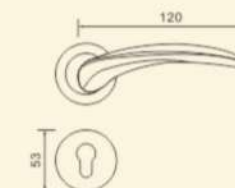
SA-222 SS



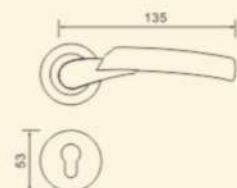
SA-219 SS



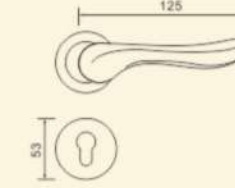
SA-223 SS



SA-220 SS

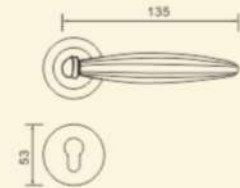


SA-224 SS

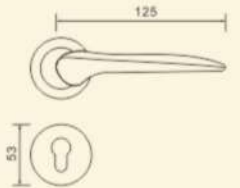




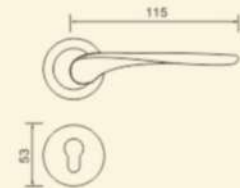
SA-225 SS



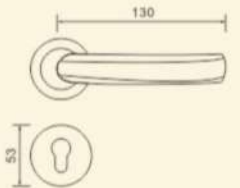
SA-229 SS



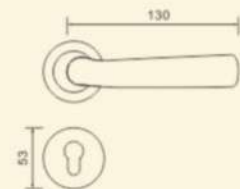
SA-226 SS



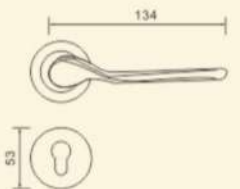
SA-230 SS



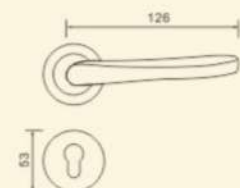
SA-227 SS



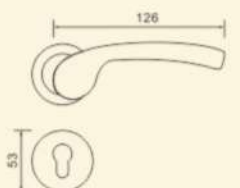
SA-231 SS



SA-228 SS

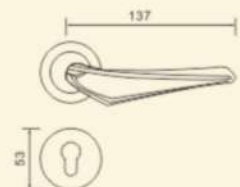


SA-232 SS

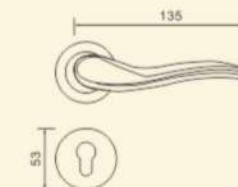




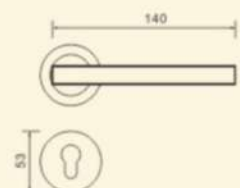
SA-233 SS



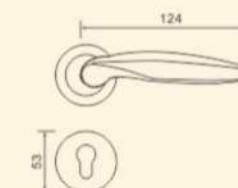
SA-237 SS



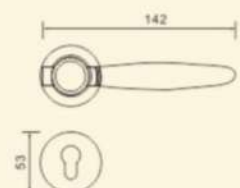
SA-234 SS



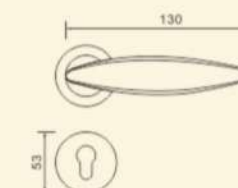
SA-238 SS



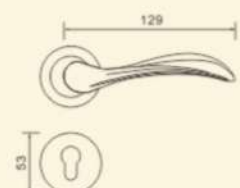
SA-235 SS



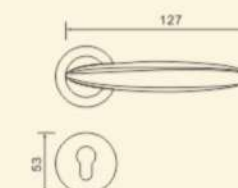
SA-239 SS



SA-236 SS

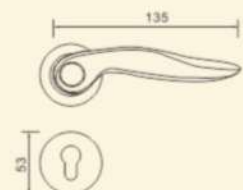


SA-240 SS

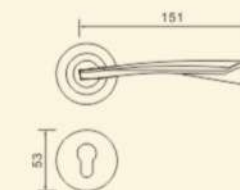




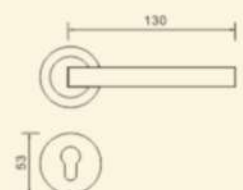
SA-241 SS



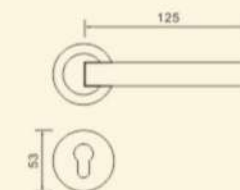
SA-245 SS



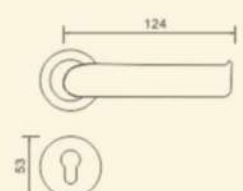
SA-242 SS



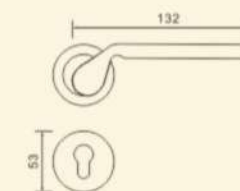
SA-246 SS



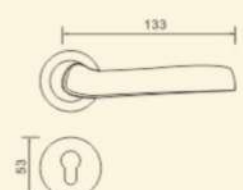
SA-243 SS



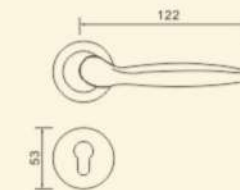
SA-247 SS



SA-244 SS

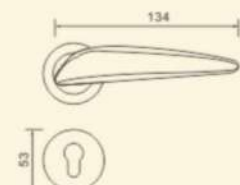


SA-248 SS

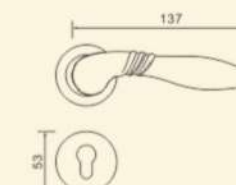




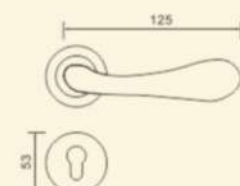
SA-249 SS



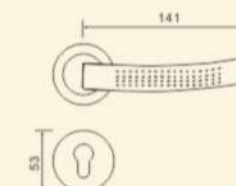
SA-253 SS



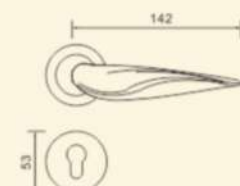
SA-250 SS



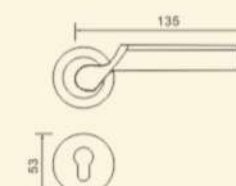
SA-254 SS



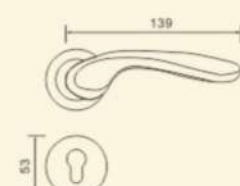
SA-251 SS



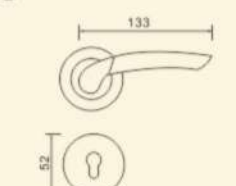
SA-255 SS



SA-252 SS

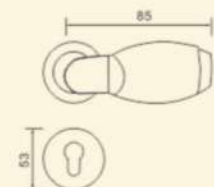


SA-256 SS/PSS

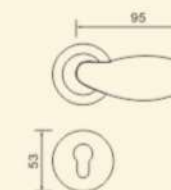




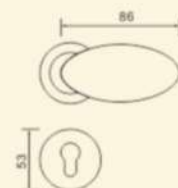
SA-300 SS



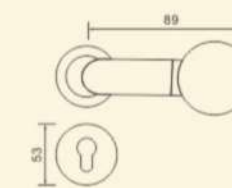
SA-305 SS



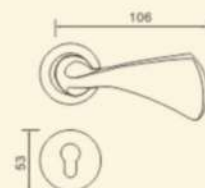
SA-301 SS



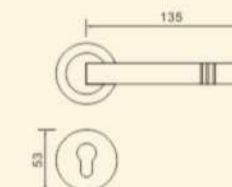
SA-307 SS



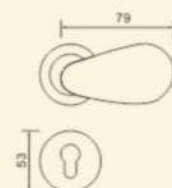
SA-303 SS



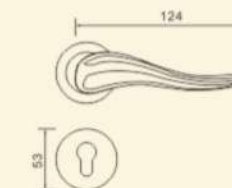
SA-313 SS



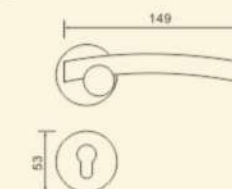
SA-304 SS



SA-314 SS

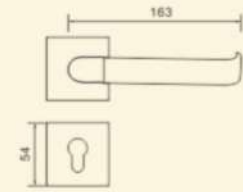


SA-320 SS/PSS

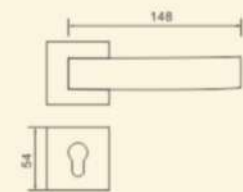




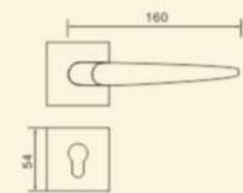
SD-108 SS



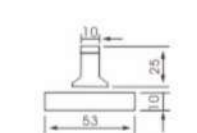
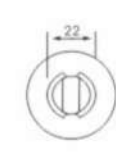
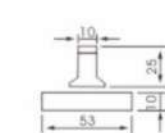
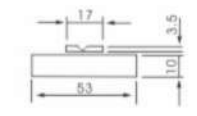
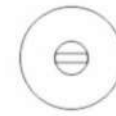
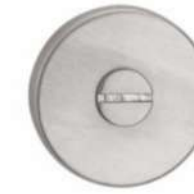
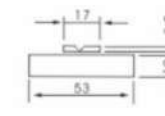
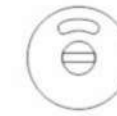
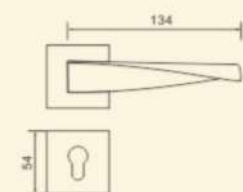
SD-109 SS



SD-110 SS

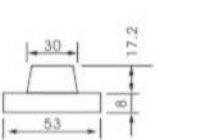
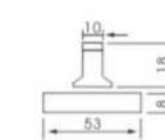
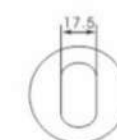
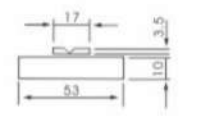
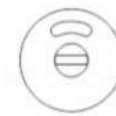
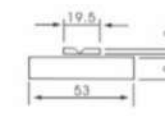
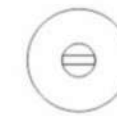


SD-111 SS



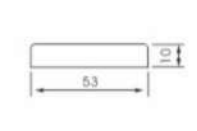
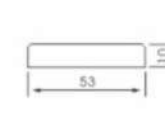
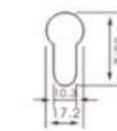
SW01 SS

SW02 SS



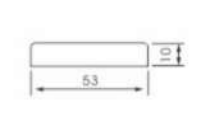
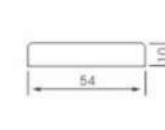
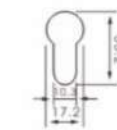
SW03 SS

SW04 SS



SN-01

SN-02

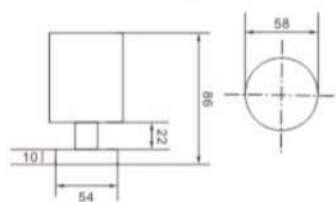


SN-04

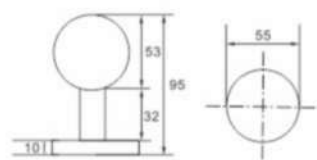
SN-05



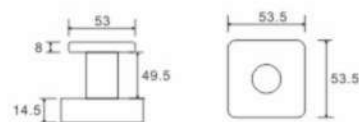
SE100 SS



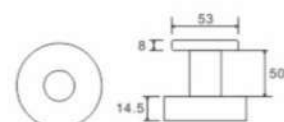
SE101 SS



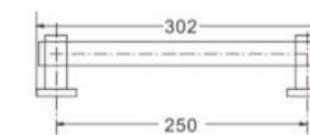
SE102 SS



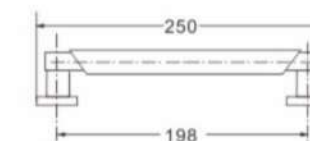
SE103 SS



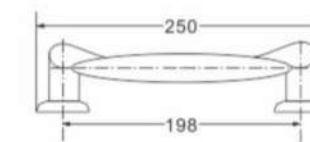
SH-900 SS



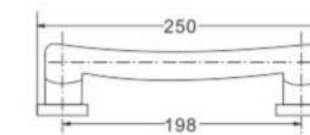
SH-901 SS



SH-902 SS



SH-903 SS

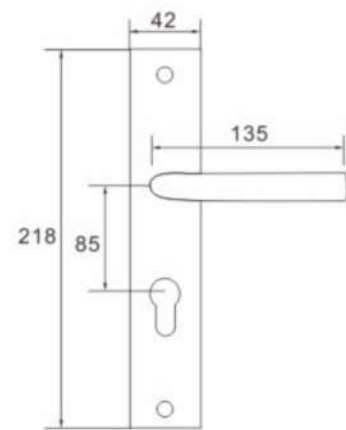
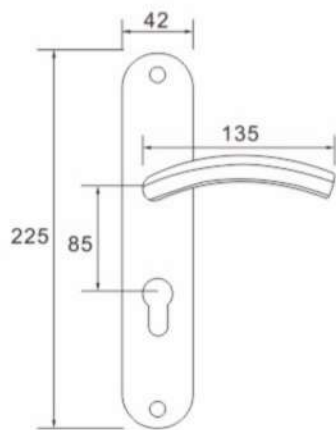




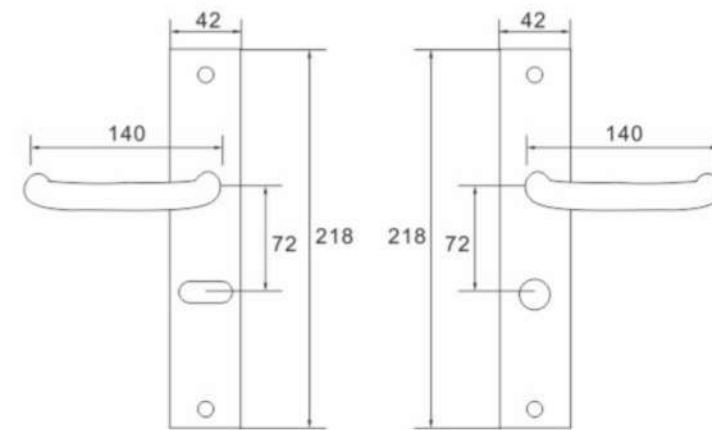
22H03 SS



23H09 SS

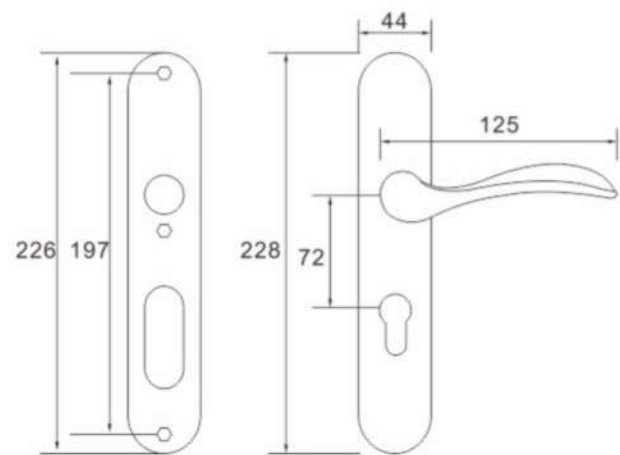


BK23H10 SS

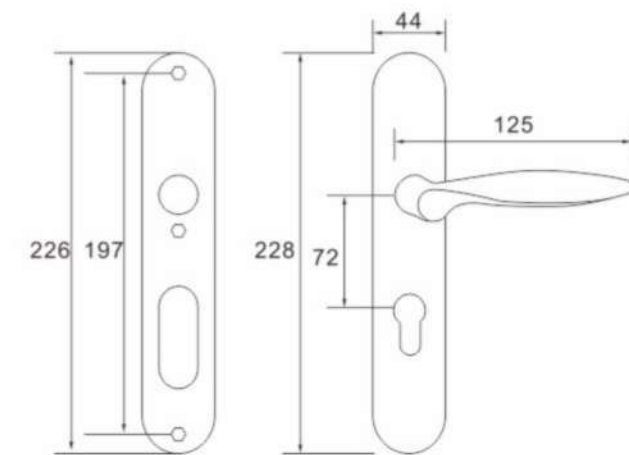




P22H36 SS



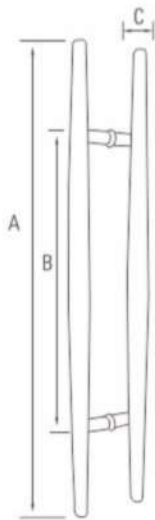
P22H38 SS





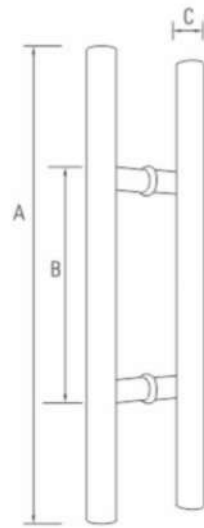
SC-501 SS/PSS

- Size:
A: 600 800
B: 380 500
C: ϕ 32 ϕ 38
- Finish: SS,PSS
- Material:Stainless steel
- Can be used for glass doors



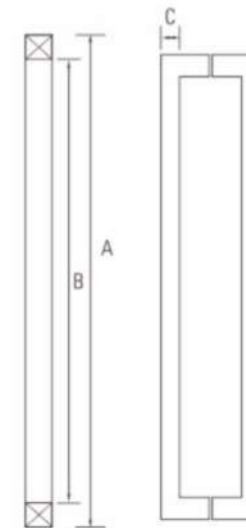
SC-502 SS

- Size:
A: 600 800 1000 1200
B: 400 600 800 1000
C: ϕ 25 ϕ 32 ϕ 38
- Finish: SS,PSS
- Material:Stainless steel
- Can be used for glass doors



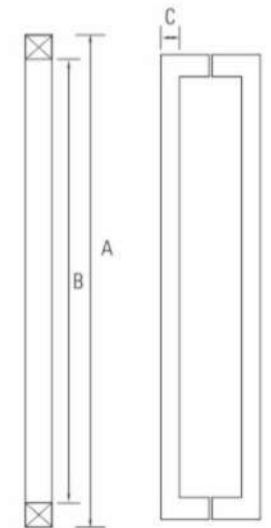
SC-601 SS

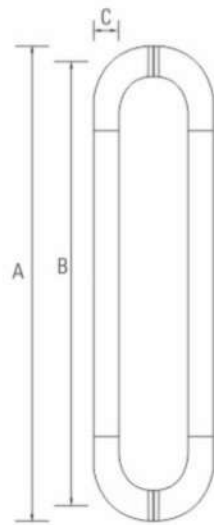
- Size:
A: 600 800 1000 1200
B: 560 760 960 1160
C: 20X40
- Finish: SS,PSS
- Material:Stainless steel
- Can be used for glass doors



SC-602 BL

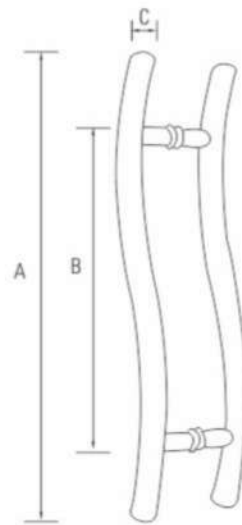
- Size:
A: 800 1000 1200
B: 775 975 1175
C: 25X38
- Finish: SS,PSS,BL
- Material:Stainless steel
- Can be used for glass doors





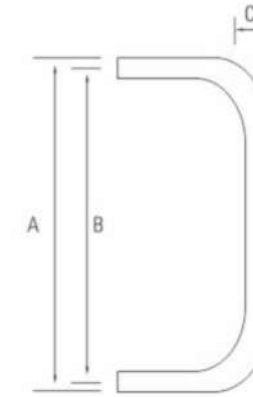
SC-701 SS/PSS

- Size:
- A: 300 500
- B: 275 468
- C: $\phi 25$ $\phi 32$
- Finish: SS,PSS
- Material:Stainless steel
- Can be used for glass doors



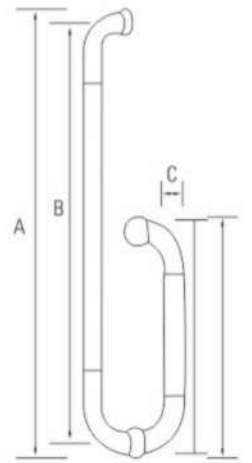
SC-702 PSS

- Size:
- A: 400 600
- B: 240 440
- C: $\phi 25$ $\phi 32$
- Finish: SS,PSS
- Material:Stainless steel
- Can be used for glass doors



SC-703 PSS

- Size:
- A: 450 450
- B: 418 425
- C: $\phi 25$ $\phi 32$
- Finish: SS,PSS
- Material:Stainless steel
- Can be used for glass doors



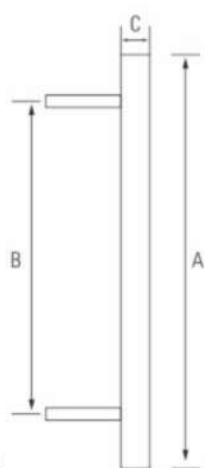
SC-704 PSS

- Size:
- A: 250X450
- B: 225X425
- C: $\phi 25$
- Finish: SS,PSS
- Material:Stainless steel
- Can be used for glass doors



SC-705 SS/PSS

- Size:
A: 250X450
B: 225X425
C: ϕ 25
- Finish: SS,PSS
- Material:Stainless steel
- Can be used for glass doors



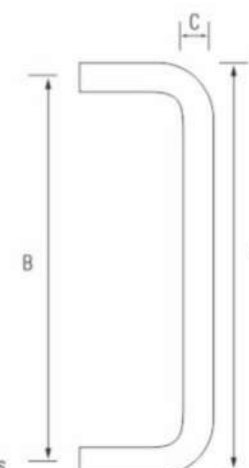
SC-706 PSS

- Size:
A: 300 400 480
B: 270 370 450
C: 35X12
- Finish: SS,PSS
- Material:Stainless steel
- Can be used for glass doors



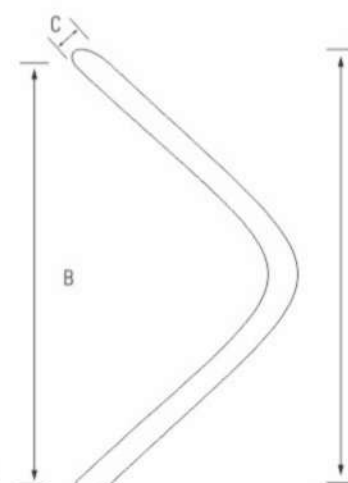
SC-707 SS

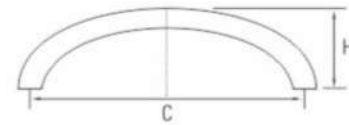
- Size:
A: 300 600
B: 275 562
C: ϕ 25 ϕ 32
- Finish: SS,PSS
- Material:Stainless steel
- Can be used for glass doors



SC-708 PSS

- Size:
A: 450 500
B: 425 468
C: ϕ 25 ϕ 32
- Finish: SS,PSS
- Material:Stainless steel
- Can be used for glass doors

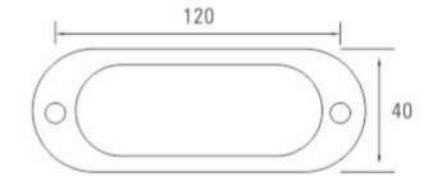




C	96	128	160	192	224	256
H	35	35	35	35	35	35

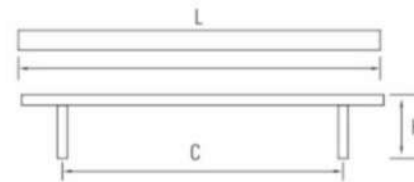
SC-801 SS

- Material: Stainless steel
- Diameter: $\varnothing 10\text{mm}/\varnothing 12\text{mm}$
- Finishes: Sanding/Mirror polish



SC-901 SS

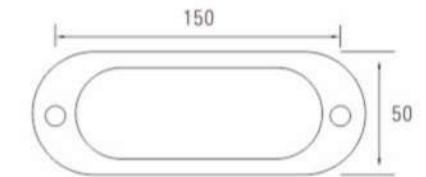
- Finish: SS
- Material: Stainless steel



C	64	96	128	160	192	224	256	288
H	35	35	35	35	35	35	35	35
L	100	150	200	250	300	350	400	450

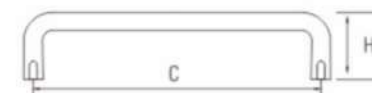
SC-802 SS

- Material: Stainless steel
- Diameter: $\varnothing 10\text{mm}/\varnothing 12\text{mm}/\varnothing 14\text{mm}$
- Finishes: Sanding/Mirror polish



SC-902 SS

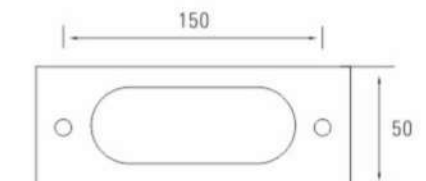
- Finish: SS
- Material: Stainless steel



C	96	128	160	192	224	256
H	35	35	35	35	35	35

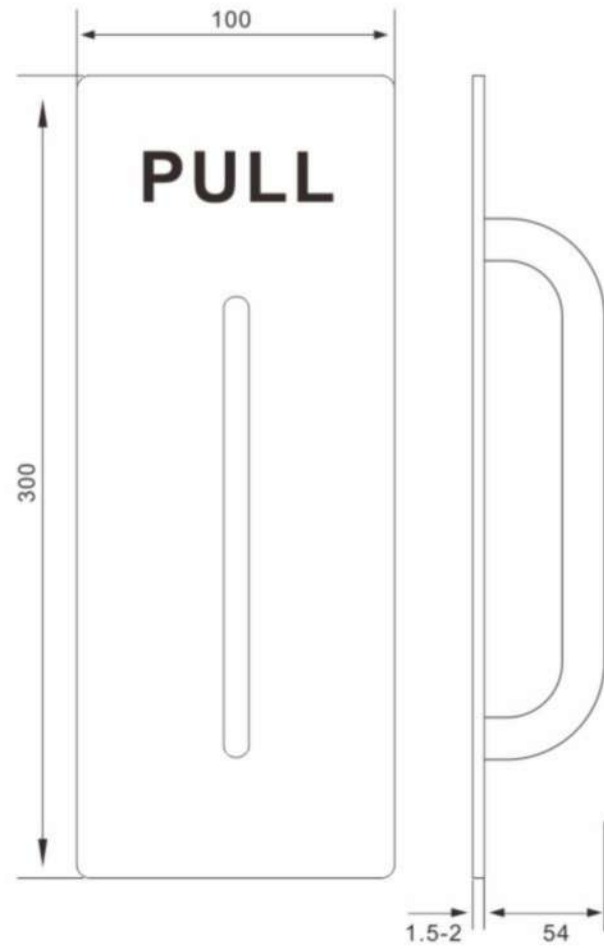
SC-803 SS

- Material: Stainless steel
- Diameter: $\varnothing 8\text{mm}/\varnothing 10\text{mm}/\varnothing 12\text{mm}$
- Finishes: Sanding/Mirror polish



SC-903 SS

- Finish: SS
- Material: Stainless steel



SC-100 SS

Material: Stainless Steel 304 or 316
 Finishing: SS, PSS, DAB, PVD



SC-200 SS

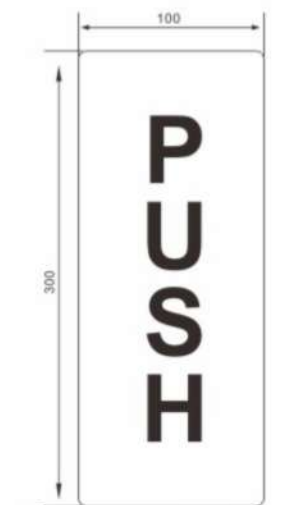
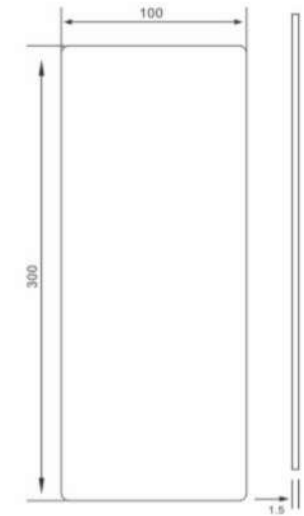
Material: Stainless Steel 304 or 316
 Finishing: SS, PSS, DAB, PVD

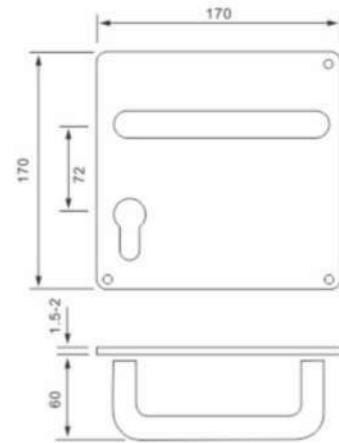
SC-201 SS

Material: Stainless Steel 304 or 316
 Finishing: SS, PSS, DAB, PVD

SC-202 SS

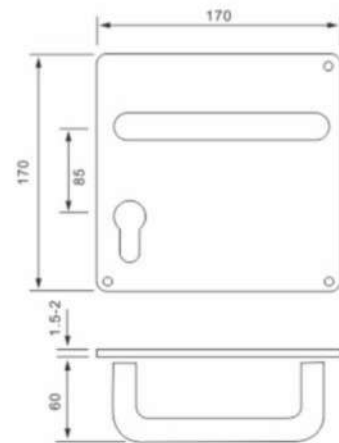
Material: Stainless Steel 304 or 316
 Finishing: SS, PSS, DAB, PVD





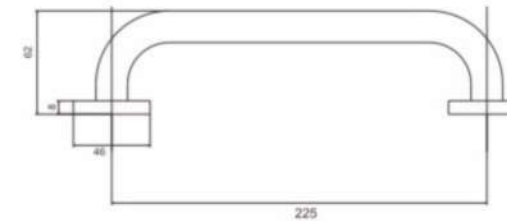
SB-100C-72 SS

Material: Stainless Steel 304 or 316
Finishing: SS, PSS, DAB, PVD



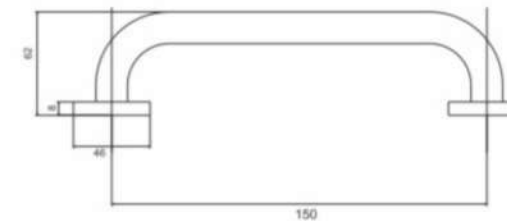
SB-100C-85 SS

Material: Stainless Steel 304 or 316
Finishing: SS, PSS, DAB, PVD



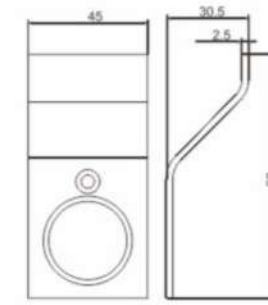
SC-101 SS

Material: Stainless Steel 304 or 316
Finishing: SS, PSS, DAB, PVD



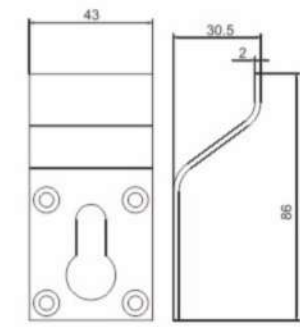
SC-102 SS

Material: Stainless Steel 304 or 316
Finishing: SS, PSS, DAB, PVD



SB-300 SS

Material: Stainless Steel 304 or 316
Finishing: SS, PSS, DAB, PVD



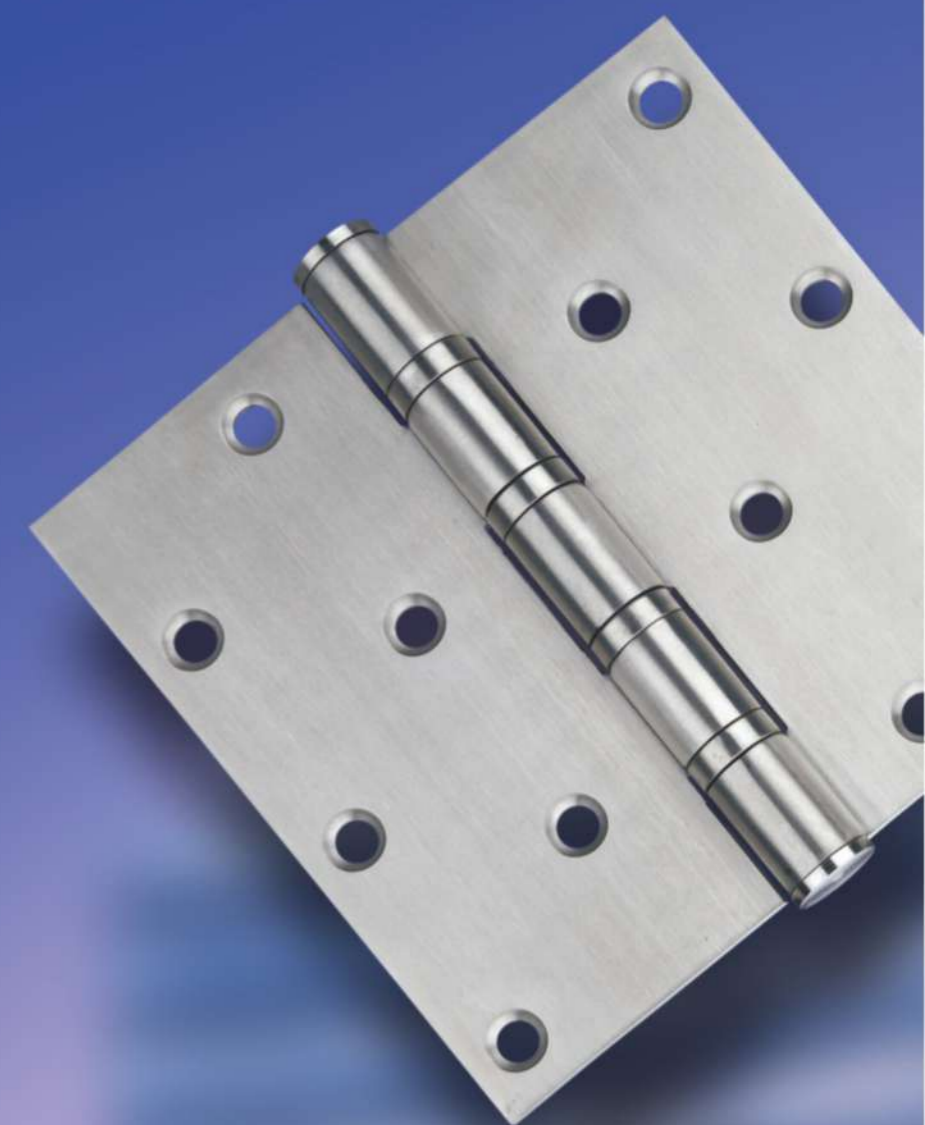
SB-301 SS

Material: Stainless Steel 304 or 316
Finishing: SS, PSS, DAB, PVD

*ARTISTIC SOURCE IN LIFE, IN SPACE WITH
THE DESIGN OF INSPIRATION MAKE
TENDER FEELING LET CURRENT SQUARE
BETWEEN*

*ORIGINATED FROM TOP DESIGN
PHILOSOPHY*

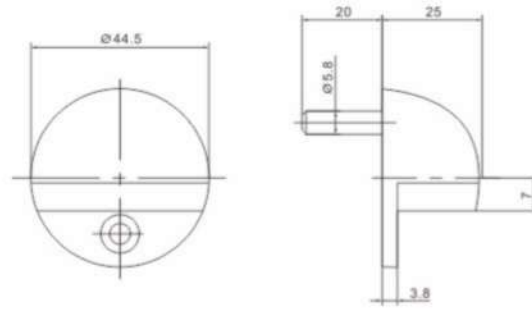
DORRENHAUS



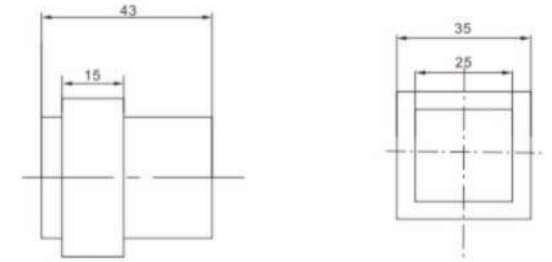
DECORATION HARDWARE SERIES



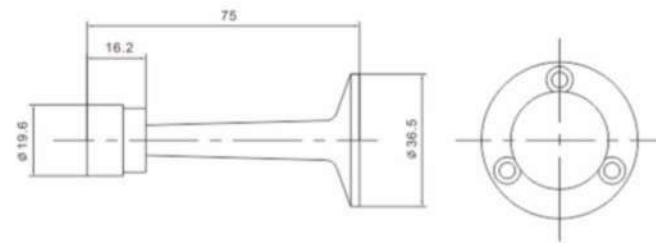
D3704 SN
Material: Zinc alloy/Stainless steel
Finish: SN/SS/AB/AC/GP/CP



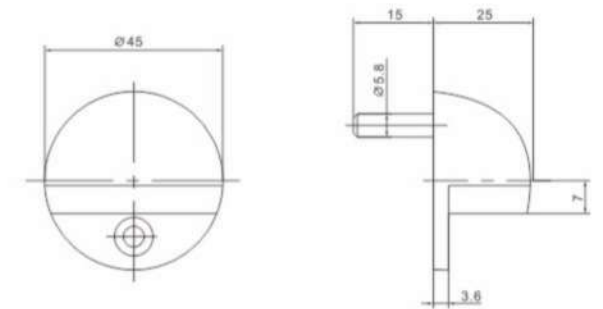
D3711 SS
Material: Stainless steel
Finish: SS



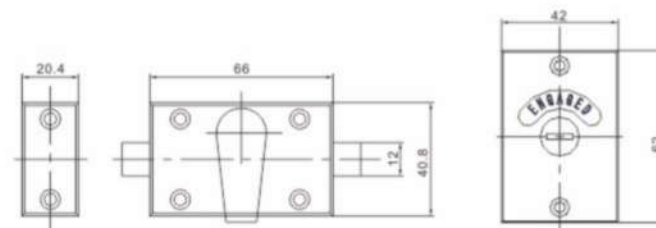
D3705 SN
Material: Zinc alloy
Finish: SN/AB/AC/GP/CP



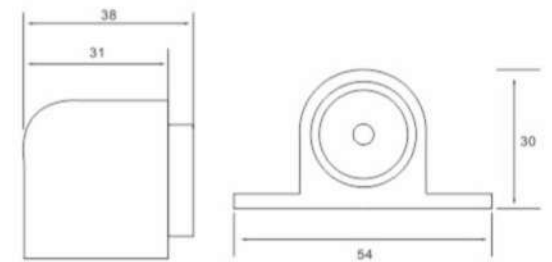
D3720 SN
Material: Zinc alloy
Finish: SN/AB/AC/GP/CP



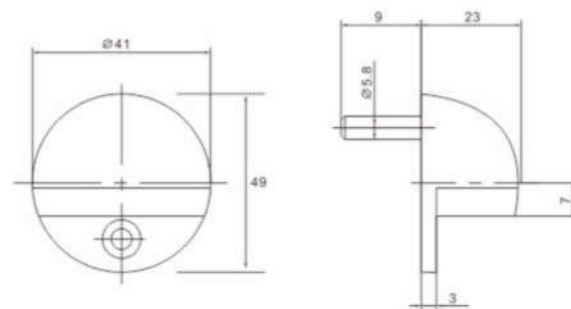
D3707 CP
Material: Zinc alloy
Finish: CP/SN



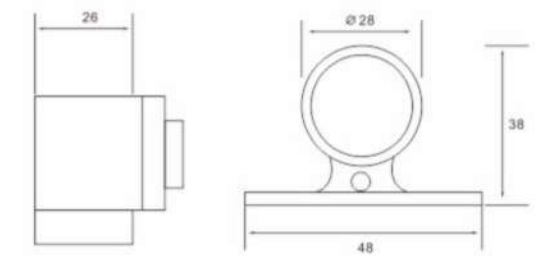
D3721 SN
Material: Zinc alloy
Finish: SN/AB



D3710 SN
Material: Zinc alloy
Finish: SN/AB/AC/GP/CP

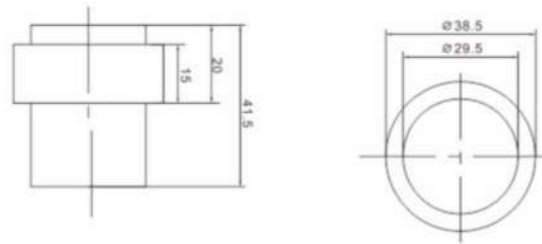


D3722 SN
Material: Brass
Finish: SN/AB

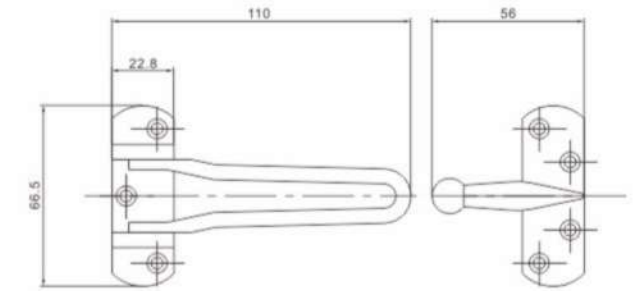




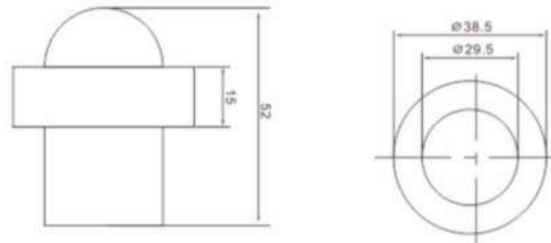
D3801 SS
Material: Stainless steel
Finish: SS/PSS



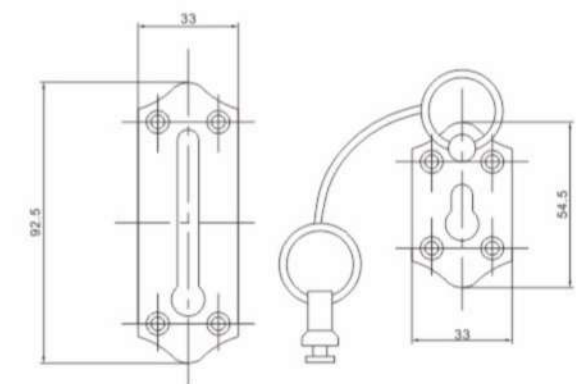
D3806 SN
Material: Zinc alloy
Finish: SN/AB/AC/GP



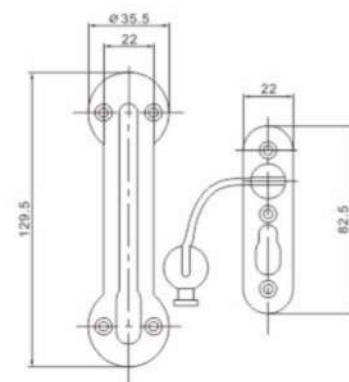
D3801-R SS
Material: Stainless steel
Finish: SS/PSS



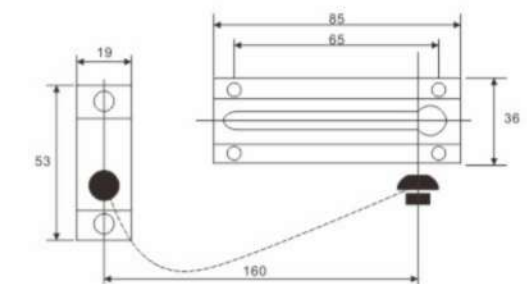
D3815 SN
Material: Zinc alloy
Finish: SN/AB/AC/GP



D3805 SN
Material: Zinc alloy
Finish: SN/AB/AC/GP

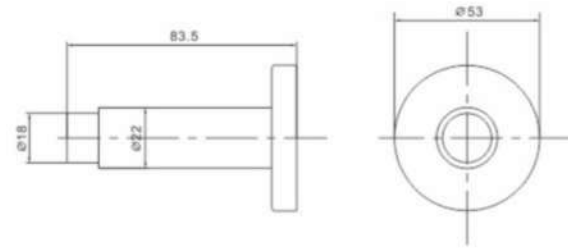


D3816 PB
Material: Brass
Finish: SN/AB/AC/PB

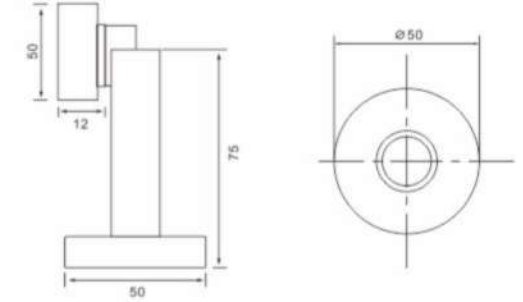




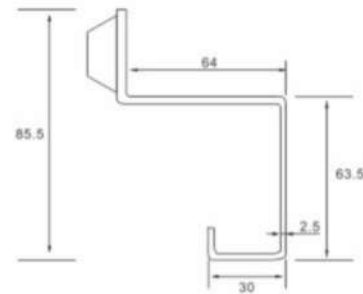
D3817 SS
Material: Stainless steel
Finish: SS



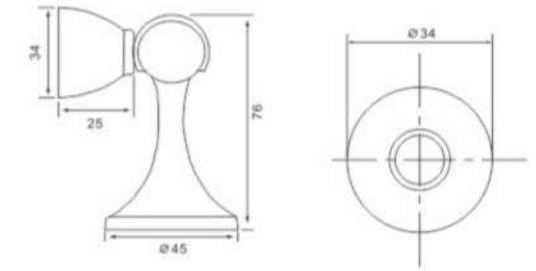
D3850 SN
Material: Zinc alloy
Finish: SN



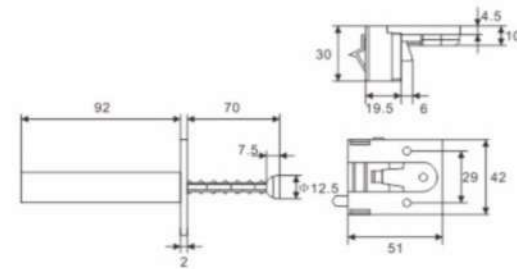
D3820 SS
Material: Stainless steel
Finish: SS



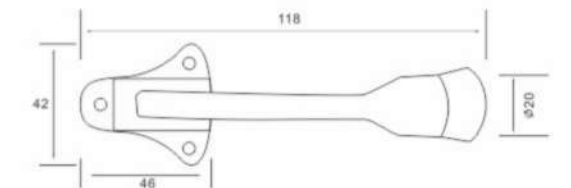
D3851 SN
Material: Zinc alloy
Finish: SN/AB/AC



D3825 SN
Material: Zinc alloy
Finish: SN

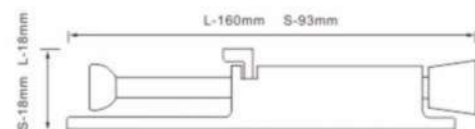


D3852 SC
Material: Zinc alloy
Finish: SC/SN/AB/AC

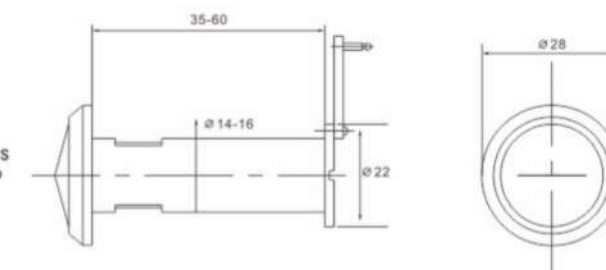




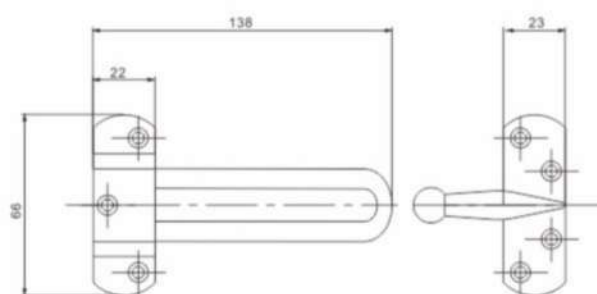
D3853 SN
Material: Zinc alloy
Finish: SN/AB/AC/GP



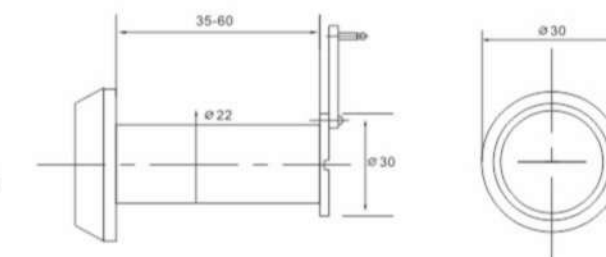
BP-05 SC
Material: Zinc alloy/Brass
Finish: SC/SN/AB/AC/GP



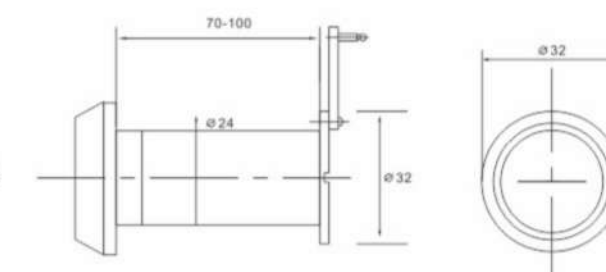
D3855 SS
Material: Stainless steel
Finish: SS



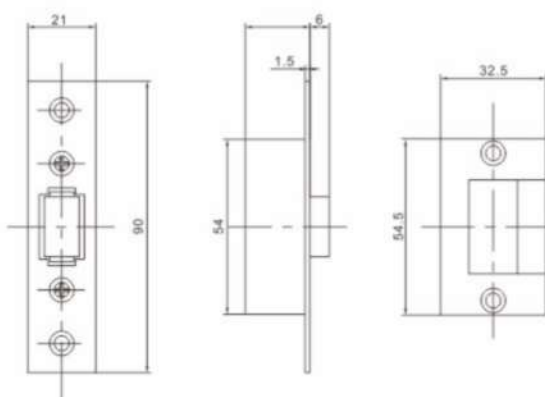
BP-06 AB
Material: Brass
Finish: SC/SN/AB/AC/GP/SB/PB



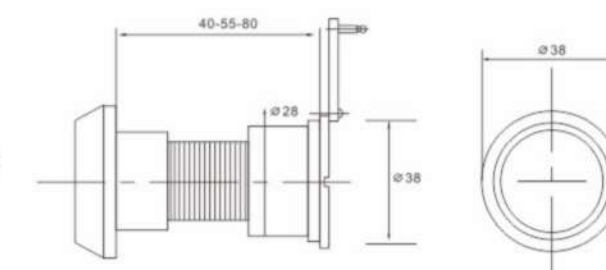
BP-07 SB
Material: Brass
Finish: SC/SN/AB/AC/GP/SB/PB



SB-201 SS
Material: Stainless steel
Finish: SS

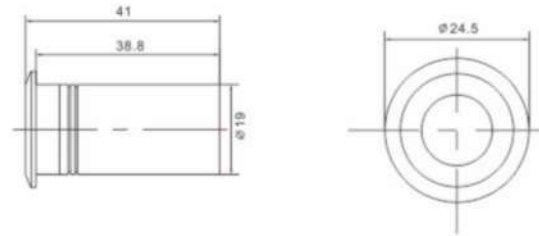


BP-08 PB
Material: Brass
Finish: SC/SN/AB/AC/GP/SB/PB



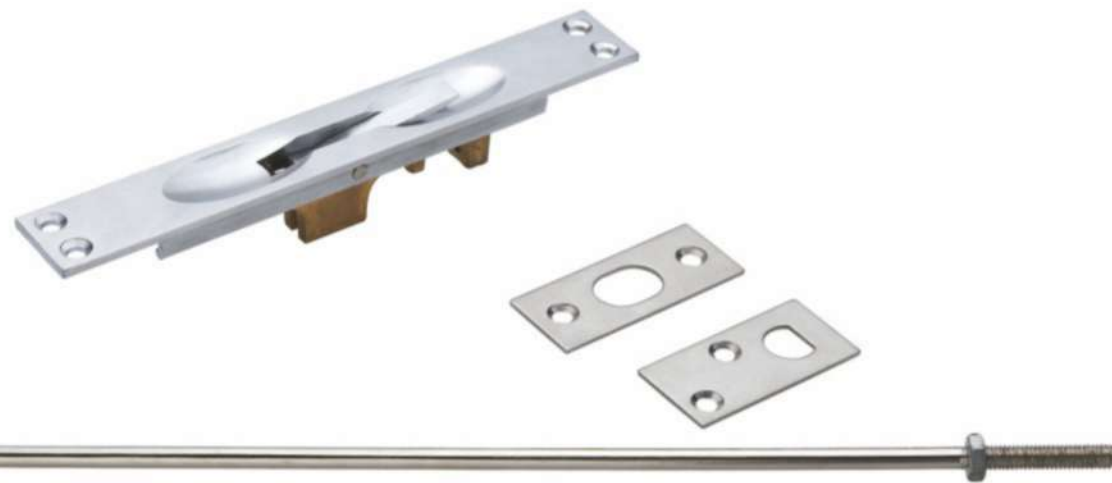
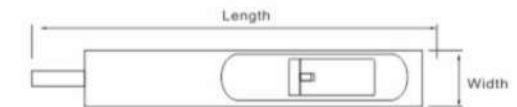


D3802 SN
Material: Brass
Finish: SN



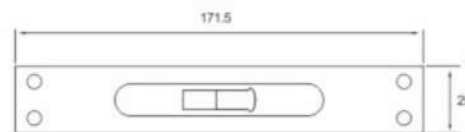
FVA-34 SN
Material: Brass/Zinc alloy
Finish: SN/SC/AB/AC/PB/SB

Brass flush bolt	
Length	6" ,8" ,10" ,12"
Width	1"



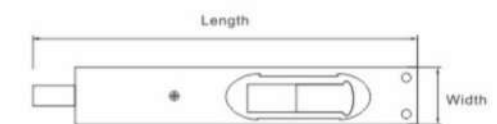
FVA-38 SC
Material: Brass
Finish: SN/SC

Stainless Steel flush bolt	
Length	171.5
Width	25



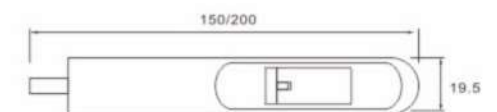
FVA-37 SS
Material: Stainless steel
Finish: SS

Stainless Steel flush bolt	
Length	6" ,8"
Width	1"



FVA-44 SN
Material: Zinc alloy
Finish: SN/AB/AC/GP/CP

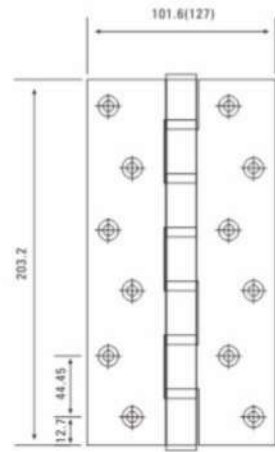
Brass flush bolt	
Length	6" ,8"
Width	1"



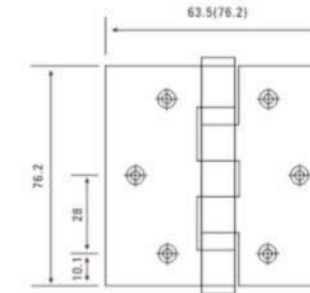


BEARING HINGE

SRUFACE TREATMENT:
SS / PSS / AB / AC / PVD
MATERIAL:
Stainless steel (304 / 201)
AVAILABLE FOR:
All kinds of wooden gate door, room door
FEATURES:
Switching flexibility, No noise, Long life



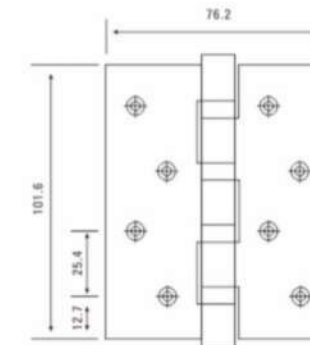
Dimension(HxWxT)	Bearing
FHP8"x4"x3.5mm	6BB
FHP8"x5"x4.0mm	6BB



BEARING HINGE

SRUFACE TREATMENT:
SS / PSS / AB / AC / PVD
MATERIAL:
Stainless steel (304 / 201)
AVAILABLE FOR:
All kinds of wooden gate door, room door
FEATURES:
Switching flexibility, No noise, Long life

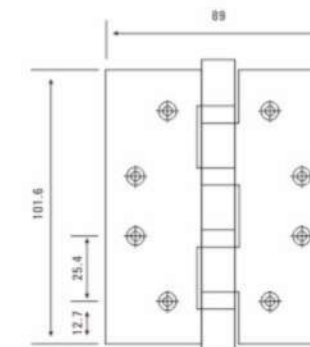
Dimension(HxWxT)	Bearing
FHP3"x2.5"x2.0mm	2BB
FHP3"x2.5"x2.5mm	2BB
FHP3"x3"x2.5mm	2BB



BEARING HINGE

SRUFACE TREATMENT:
SS / PSS / AB / AC / PVD
MATERIAL:
Stainless steel (304 / 201)
AVAILABLE FOR:
All kinds of wooden gate door, room door
FEATURES:
Switching flexibility, No noise, Long life

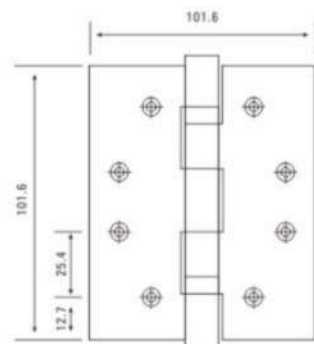
Dimension(HxWxT)	Bearing
FHP4"x3"x2.0mm	4BB/2BB
FHP4"x3"x2.5mm	4BB/2BB
FHP4"x3"x3.0mm	4BB/2BB
FHP4"x3"x3.5mm	4BB/2BB



BEARING HINGE

SRUFACE TREATMENT:
SS / PSS / AB / AC / PVD
MATERIAL:
Stainless steel (304 / 201)
AVAILABLE FOR:
All kinds of wooden gate door, room door
FEATURES:
Switching flexibility, No noise, Long life

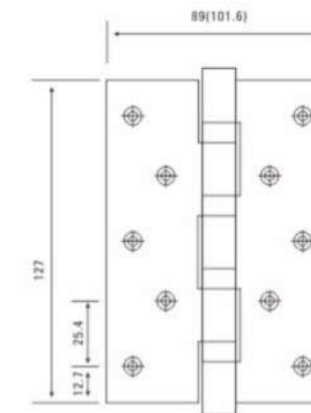
Dimension(HxWxT)	Bearing
FHP4"x3.5"x2.5mm	4BB/2BB
FHP4"x3.5"x3.0mm	4BB/2BB
FHP4"x3.5"x3.5mm	4BB/2BB



BEARING HINGE

SRUFACE TREATMENT:
SS / PSS / AB / AC / PVD
MATERIAL:
Stainless steel (304 / 201)
AVAILABLE FOR:
All kinds of wooden gate door, room door
FEATURES:
Switching flexibility, No noise, Long life

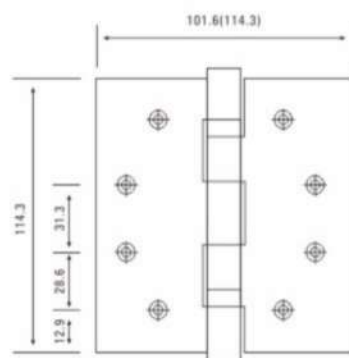
Dimension(HxWxT)	Bearing
FHP4"x4"x2.5mm	4BB/2BB
FHP4"x4"x3.0mm	4BB/2BB
FHP4"x4"x3.5mm	4BB/2BB



BEARING HINGE

SRUFACE TREATMENT:
SS / PSS / AB / AC / PVD
MATERIAL:
Stainless steel (304 / 201)
AVAILABLE FOR:
All kinds of wooden gate door, room door
FEATURES:
Switching flexibility, No noise, Long life

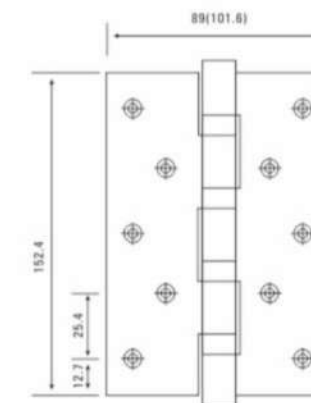
Dimension(HxWxT)	Bearing
FHP5"x3.5"x3.0mm	4BB/2BB
FHP5"x4"x3.0mm	4BB/2BB



BEARING HINGE

SRUFACE TREATMENT:
SS / PSS / AB / AC / PVD
MATERIAL:
Stainless steel (304 / 201)
AVAILABLE FOR:
All kinds of wooden gate door, room door
FEATURES:
Switching flexibility, No noise, Long life

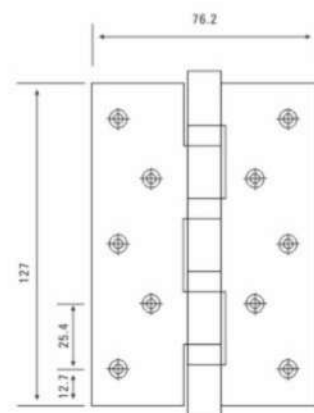
Dimension(HxWxT)	Bearing
FHP4.5"x4"x3.0mm	4BB/2BB
FHP4.5"x4"x3.5mm	4BB/2BB
FHP4.5"x4.5"x3.0mm	4BB/2BB
FHP4.5"x4.5"x3.5mm	4BB/2BB



BEARING HINGE

SRUFACE TREATMENT:
SS / PSS / AB / AC / PVD
MATERIAL:
Stainless steel (304 / 201)
AVAILABLE FOR:
All kinds of wooden gate door, room door
FEATURES:
Switching flexibility, No noise, Long life

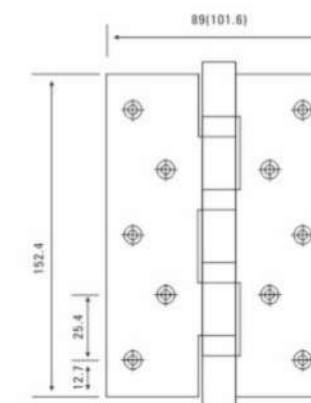
Dimension(HxWxT)	Bearing
FHP6"x3.5"x3.0mm	4BB
FHP6"x3.5"x3.5mm	4BB
FHP6"x4"x3.0mm	4BB
FHP6"x4"x3.5mm	4BB



BEARING HINGE

SRUFACE TREATMENT:
SS / PSS / AB / AC / PVD
MATERIAL:
Stainless steel (304 / 201)
AVAILABLE FOR:
All kinds of wooden gate door, room door
FEATURES:
Switching flexibility, No noise, Long life

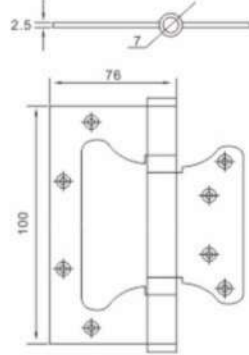
Dimension(HxWxT)	Bearing
FHP5"x3"x2.5mm	4BB/2BB
FHP5"x3"x3.0mm	4BB/2BB
FHP5"x3"x3.5mm	4BB/2BB



BEARING HINGE

SRUFACE TREATMENT:
SS / PSS / AB / AC / PVD
MATERIAL:
Stainless steel (304 / 201)
AVAILABLE FOR:
All kinds of wooden gate door, room door
FEATURES:
Switching flexibility, No noise, Long life

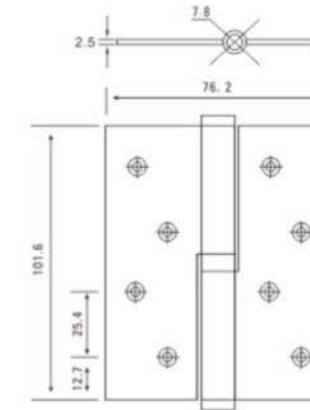
Dimension(HxWxT)	Bearing
FHP6"x6"x3.5mm	4BB
FHP6"x6"x4.0mm	4BB



FLUSH HINGE

SRUFACE TREATMENT:
SS / PSS / AB / AC / PVD
MATERIAL:
Stainless steel (304 / 201)
AVAILABLE FOR:
All kinds of floding screen, folding door
FEATURES:
Switching flexibility, No noise, Long life

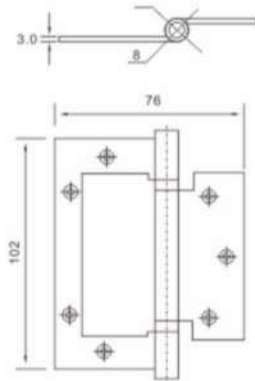
Dimension(HxWxT)	Bearing
FHP101.6x75x2.0mm	2BB
FHP100x76x2.5mm	2BB
FHP100x76x3.0mm	2BB



ASSEMBLE HINGE

SRUFACE TREATMENT:
SS / PSS / AB / AC / PVD
MATERIAL:
Stainless steel (304 / 201)
AVAILABLE FOR:
All kinds of room door, passage door
FEATURES:
Switching flexibility, No noise, Long life

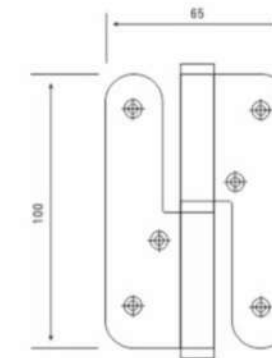
Dimension(HxWxT)	Bearing
FHP4"x3"x2.5mm	1BB
FHP4"x3"x3.0mm	1BB



FLUSH HINGE

SRUFACE TREATMENT:
SS / PSS / AB / AC / PVD
MATERIAL:
Stainless steel (304 / 201)
AVAILABLE FOR:
All kinds of floding screen, folding door
FEATURES:
Switching flexibility, No noise, Long life

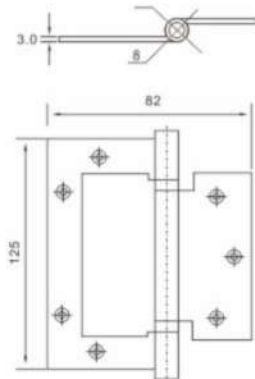
Dimension(HxWxT)	Bearing
FHP100x72x2.5mm	2BB
FHP100x76x3.0mm	2BB



ROUND CORNER ASSEMBLE HINGE

SRUFACE TREATMENT:
SS / PSS / AB / AC / PVD
MATERIAL:
Stainless steel (304 / 201)
AVAILABLE FOR:
All kinds of room door, passage door
FEATURES:
Switching flexibility, No noise, Long life

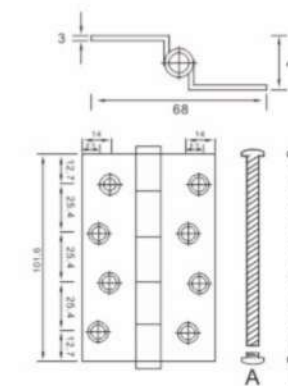
Dimension(HxWxT)	Bearing
FHP100"x65"x2.5mm	1BB
FHP100"x65"x3.0mm	1BB



FLUSH HINGE

SRUFACE TREATMENT:
SS / PSS / AB / AC / PVD
MATERIAL:
Stainless steel (304 / 201)
AVAILABLE FOR:
All kinds of floding screen, folding door
FEATURES:
Switching flexibility, No noise, Long life

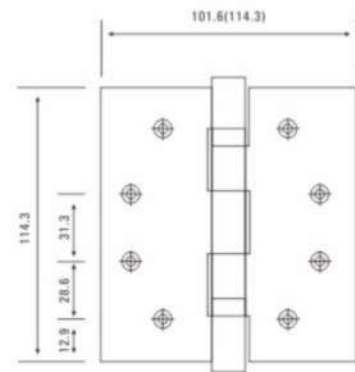
Dimension(HxWxT)	Bearing
FHP125x79x2.5mm	2BB
FHP125x82x3.0mm	2BB
FHP125x85x3.5mm	2BB



CRANK HINGE

SRUFACE TREATMENT:
SS / PSS / AB / AC / PVD
MATERIAL:
Stainless steel (304 / 201)
AVAILABLE FOR:
All kinds of wooden gate door, room door
FEATURES:
Switching flexibility, No noise, Long life

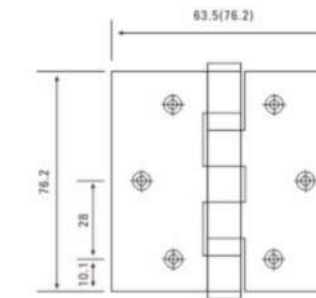
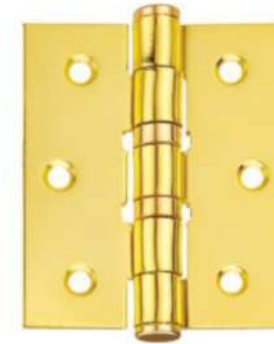
Dimension(HxWxT)	Bearing
FHP/TYPE4"x3"x3.0mm	
FHP/TYPE4"x3.5"x3.0mm	



BEARING HINGE

SRUFACE TREATMENT:
SN/SC/AB/AC
MATERIAL: Iron
AVAILABLE FOR:
All kinds of wooden gate door, room door
FEATURES:
Switching flexibility, No noise, Long life

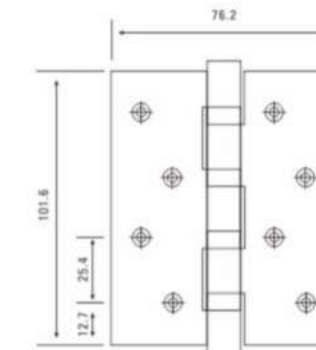
Dimension(HxWxT)	Bearing
FHP4.5"x4.5"x3.4mm	2BB
FHP4"x4"x3.4mm	2BB



BEARING HINGE

SRUFACE TREATMENT:
SN/GP/AB/AC/CP
MATERIAL: Iron
AVAILABLE FOR:
All kinds of wooden gate door, room door
FEATURES:
Switching flexibility, No noise, Long life

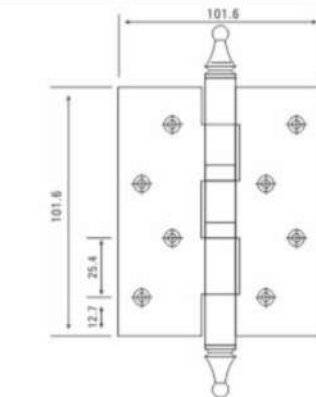
Dimension(HxWxT)	Bearing
FHP3"x2.5"x2.0mm	2BB
FHP3"x2.5"x2.5mm	2BB



BEARING HINGE

SRUFACE TREATMENT:
SN/GP/AB/AC/CP
MATERIAL: Iron
AVAILABLE FOR:
All kinds of wooden gate door, room door
FEATURES:
Switching flexibility, No noise, Long life

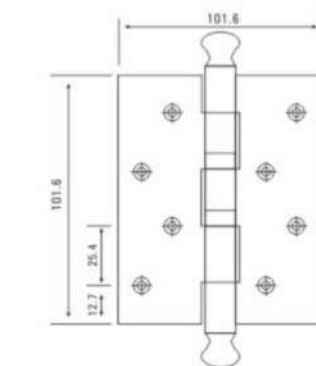
Dimension(HxWxT)	Bearing
FHP4"x3"x2.5mm	4BB/2BB
FHP4"x3"x3.0mm	4BB/2BB
FHP4"x3.5"x3.0mm	4BB/2BB



BEARING HINGE

SRUFACE TREATMENT:
SN/GP/AB/AC/CP
MATERIAL: Iron
AVAILABLE FOR:
All kinds of wooden gate door, room door
FEATURES:
Switching flexibility, No noise, Long life

Dimension(HxWxT)	Bearing
CHP4"x3"x2.5mm	4BB/2BB
CHP4"x3"x3.0mm	4BB/2BB
CHP4"x3.5"x3.0mm	4BB/2BB



BEARING HINGE

SRUFACE TREATMENT:
SN/GP/AB/AC/CP
MATERIAL: Iron
AVAILABLE FOR:
All kinds of wooden gate door, room door
FEATURES:
Switching flexibility, No noise, Long life

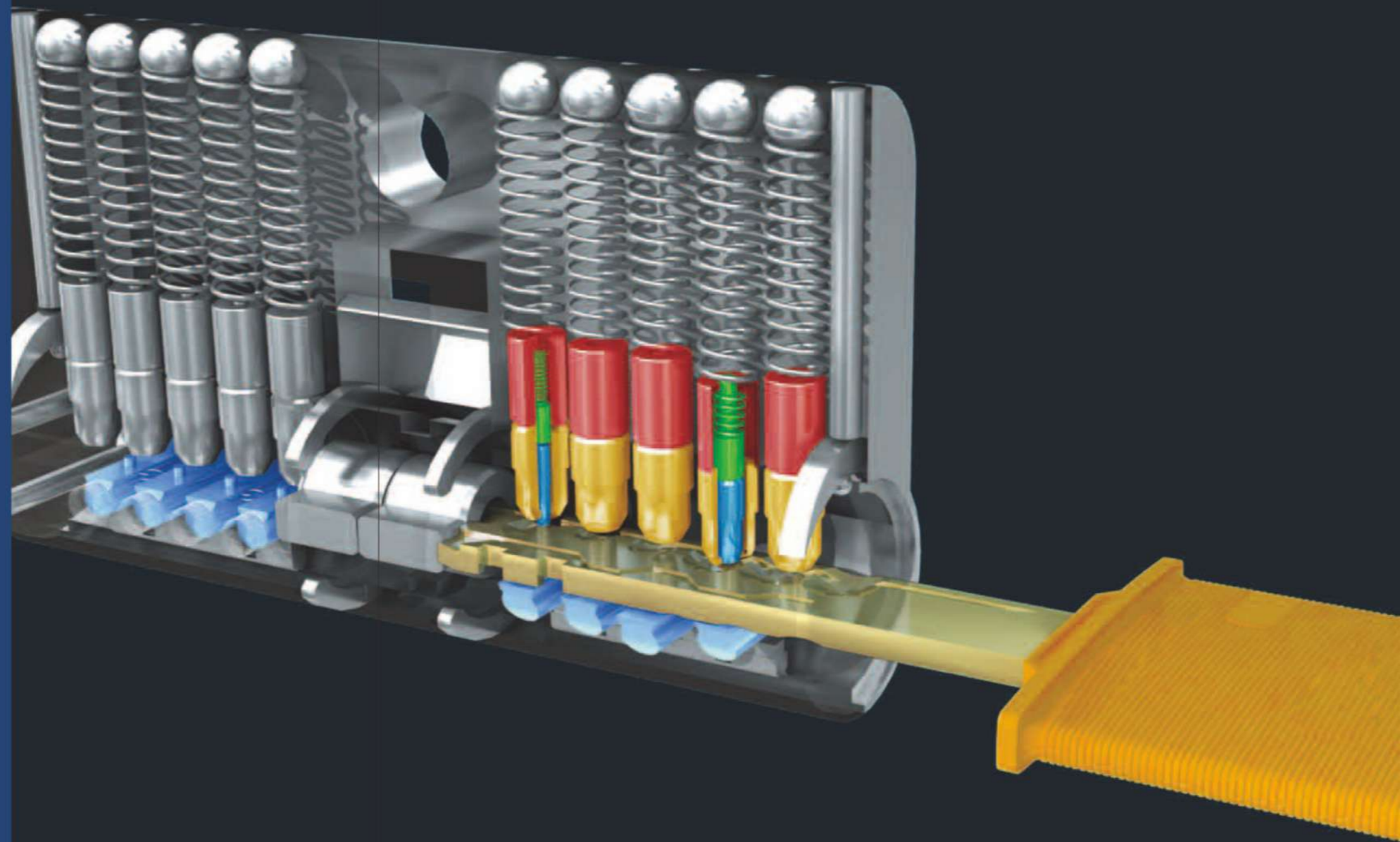
Dimension(HxWxT)	Bearing
BHP4"x3"x3.0mm	4BB/2BB
BHP4"x3.5"x3.0mm	4BB/2BB

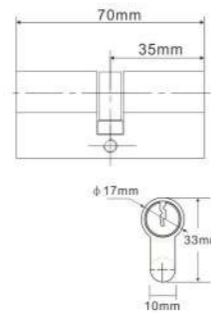
*ARTISTIC SOURCE IN LIFE, IN SPACE WITH
THE DESIGN OF INSPIRATION MAKE
TENDER FEELING LET CURRENT SQUARE
BETWEEN*

*ORIGINATED FROM TOP DESIGN
PHILOSOPHY*

DORRENHAUS

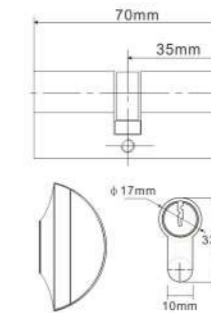
CYLINDER SERIES





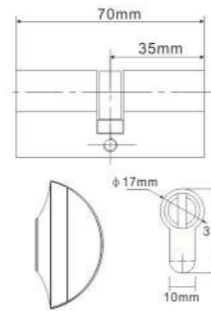
CY.B.DP01.70.SN Euro Profile Double Cylinder

- Technical Specifications**
1. Material: Brass HPB59-1
 2. Color: SN/BLK/MSB/PVD/MAB/MAC
 3. Section Size: $\phi 17 \times 33 \times 10$ mm
 4. Cam: Sintered Steel, R15*6.5
 5. 6 pcs movable detainer
 6. Keys: Brass / Cupronickel
 7. Compliance with DIN 18252/En1303 (Durability: 100,000 test cycles)



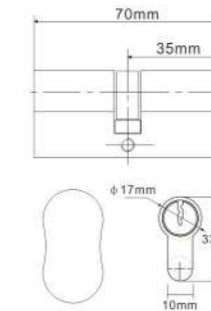
CY.B.KB03.70.SN Euro Profile Knob Cylinder

- Technical Specifications**
1. Material: Brass HPB59-1
 2. Color: SN/BLK/MSB/PVD/MAB/MAC
 3. Section Size: $\phi 17 \times 33 \times 10$ mm
 4. Cam: Sintered Steel, R15*6.5
 5. 6 pcs movable detainer
 6. Keys: Brass / Cupronickel
 7. Knob: Brass
 8. Compliance with DIN 18252/En1303 (Durability: 100,000 test cycles)



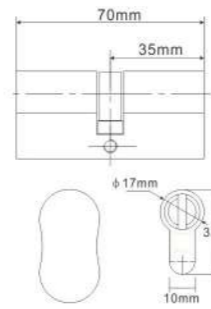
CY.B.BA03.70.SN Euro Profile Toilet Cylinder

- Technical Specifications**
1. Material: Brass HPB59-1
 2. Section Size: $\phi 17 \times 33 \times 10$ mm
 3. Cam: Sintered Steel, R15*6.5
 4. Knob: Brass
 5. Compliance with DIN 18252/En1303



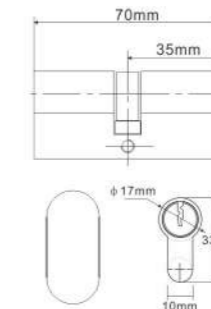
CY.B.KB06.70.SN Euro Profile Knob Cylinder

- Technical Specifications**
1. Material: Brass HPB59-1
 2. Color: SN/BLK/MSB/PVD/MAB/MAC
 3. Section Size: $\phi 17 \times 33 \times 10$ mm
 4. Cam: Sintered Steel, R15*6.5
 5. 6 pcs movable detainer
 6. Keys: Brass / Cupronickel
 7. Knob: Brass
 8. Compliance with DIN 18252/En1303 (Durability: 100,000 test cycles)



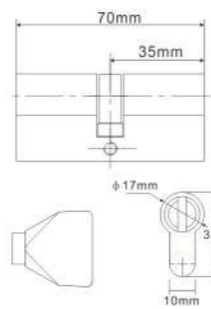
CY.B.BA06.70.SN Euro Profile Toilet Cylinder

- Technical Specifications**
1. Material: Brass HPB59-1
 2. Color: SN/BLK/MSB/PVD/MAB/MAC
 3. Section Size: $\phi 17 \times 33 \times 10$ mm
 4. Cam: Sintered Steel, R15*6.5
 5. Knob: Brass
 6. Compliance with DIN 18252/En1303



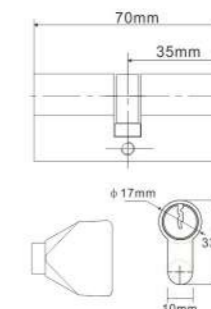
CY.B.KB07.70.SN Euro Profile Knob Cylinder

- Technical Specifications**
1. Material: Brass HPB59-1
 2. Color: SN/BLK/MSB/PVD/MAB/MAC
 3. Section Size: $\phi 17 \times 33 \times 10$ mm
 4. Cam: Sintered Steel, R15*6.5
 5. 6 pcs movable detainer
 6. Keys: Brass / Cupronickel
 7. Knob: Brass
 8. Compliance with DIN 18252/En1303 (Durability: 100,000 test cycles)



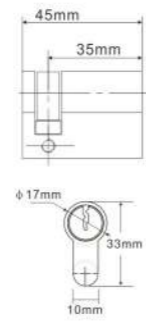
CY.B.BA10.70.SN Euro Profile Toilet Cylinder

- Technical Specifications**
1. Material: Brass HPB59-1
 2. Color: SN/BLK/MSB/PVD/MAB/MAC
 3. Section Size: $\phi 17 \times 33 \times 10$ mm
 4. Cam: Sintered Steel, R15*6.5
 5. Knob: Brass
 6. Compliance with DIN 18252/En1303



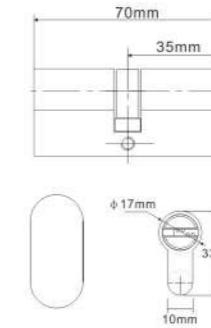
CY.B.KB10.70.SN Euro Profile Knob Cylinder

- Technical Specifications**
1. Material: Brass HPB59-1
 2. Color: SN/BLK/MSB/PVD/MAB/MAC
 3. Section Size: $\phi 17 \times 33 \times 10$ mm
 4. Cam: Sintered Steel, R15*6.5
 5. 6 pcs movable detainer
 6. Keys: Brass / Cupronickel
 7. Knob: Brass
 8. Compliance with DIN 18252/En1303 (Durability: 100,000 test cycles)



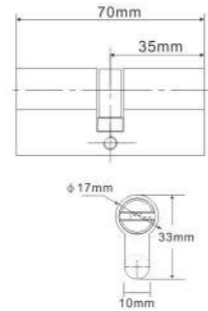
CY.B.EC01.45.SN
Euro Profile Double Cylinder

- Technical Specifications**
1. Material: Brass HPB59-1
 2. Color: SN/BLK/MSB/PVD/MAB/MAC
 3. Section Size: $\phi 17 \times 33 \times 10$ mm
 7. Cam: Sintered Steel, R15*6.5
 5. 6 pcs movable detainer
 6. Keys: Brass / Cupronickel



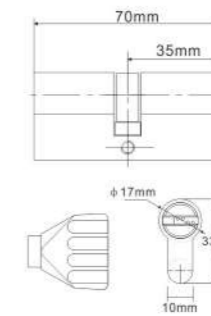
CY.B.KB02.70.SN
Euro Profile Double Cylinder

- Technical Specifications**
1. Material: Brass HPB59-1
 2. Color: SN/BLK/MSB/PVD/MAB/MAC
 3. Section Size: $\phi 17 \times 33 \times 10$ mm
 4. Cam: Sintered Steel, R15*6.5
 5. 6 pcs movable detainer
 6. Keys: Brass / Cupronickel



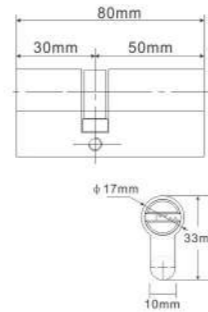
CY.B.CDP01.70.SN.SP
Euro Profile Double Cylinder

- Technical Specifications**
1. Material: Brass HPB59-1
 2. Color: SN/BLK/MSB/PVD/MAB/MAC
 3. Section Size: $\phi 17 \times 33 \times 10$ mm
 4. Cam: Sintered Steel, R15*6.5
 5. 6 pcs movable detainer
 6. Keys: Brass / Cupronickel



CY.B.KB33.70.SN
Euro Profile Double Cylinder

- Technical Specifications**
1. Material: Brass HPB59-1
 2. Color: SN/BLK/MSB/PVD/MAB/MAC
 3. Section Size: $\phi 17 \times 33 \times 10$ mm
 4. Cam: Sintered Steel, R15*6.5
 5. 6 pcs movable detainer
 6. Keys: Brass / Cupronickel



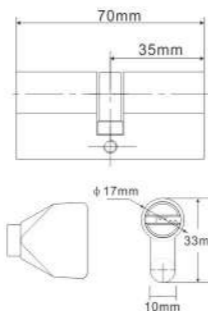
CY.B.CDP01.80.SN.SP
Euro Profile Double Cylinder

- Technical Specifications**
1. Material: Brass HPB59-1
 2. Color: SN/BLK/MSB/PVD/MAB/MAC
 3. Section Size: $\phi 17 \times 33 \times 10$ mm
 4. Cam: Sintered Steel, R15*6.5
 5. 6 pcs movable detainer
 6. Keys: Brass / Cupronickel



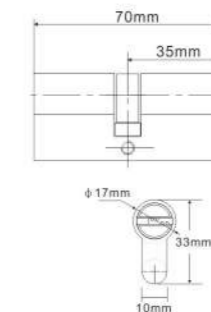
CY.B.DT7.70.SN
Euro Profile Double Cylinder

- Technical Specifications**
1. Material: Brass HPB59-1
 2. Color: SN/BLK/MSB/PVD/MAB/MAC
 3. Section Size: $\phi 17 \times 33 \times 10$ mm
 4. Cam: Sintered Steel, R15*6.5
 5. 6 pcs movable detainer
 6. Keys: Brass / Cupronickel



CY.B.CKB10.70.SN.SP
Euro Profile Double Cylinder

- Technical Specifications**
1. Material: Brass HPB59-1
 2. Color: SN/BLK/MSB/PVD/MAB/MAC
 3. Section Size: $\phi 17 \times 33 \times 10$ mm
 4. Cam: Sintered Steel, R15*6.5
 5. 6 pcs movable detainer
 6. Keys: Brass / Cupronickel



CY.B.ATD9.70.SN
Euro Profile Double Cylinder

- Technical Specifications**
1. Material: Brass HPB59-1
 2. Color: SN/BLK/MSB/PVD/MAB/MAC
 3. Section Size: $\phi 17 \times 33 \times 10$ mm
 4. Cam: Sintered Steel, R15*6.5
 5. 6 pcs movable detainer
 6. Keys: Brass / Cupronickel

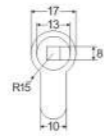


D3709.BB

Technical Specifications

1. Material: Brass
2. Color: PB/SN
3. Dimension: 16/22/24/36/42mm

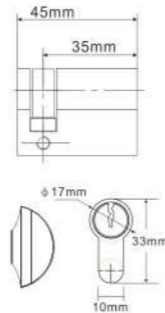
Thumbturn follower: 6mm or 8mm
 Adaptor: Converts from normal cylinder type to bathroom (thumb turn) type.



**CY.B.EC03.45.SN
Euro Profile Cylinder**

Technical Specifications

1. Material: Brass HPB59-1
2. Color: SN/BLK/MSB/PVD/MAB/MAC
3. Section Size: $\phi 17 \times 33 \times 10$ mm
4. Cam: Sintered Steel, R15*6.5
5. Knob: Brass or zinc alloy



**CY.B.DP03.70.SN
Euro Profile Anti-snap & Anti-break cylinder**

Technical Specifications

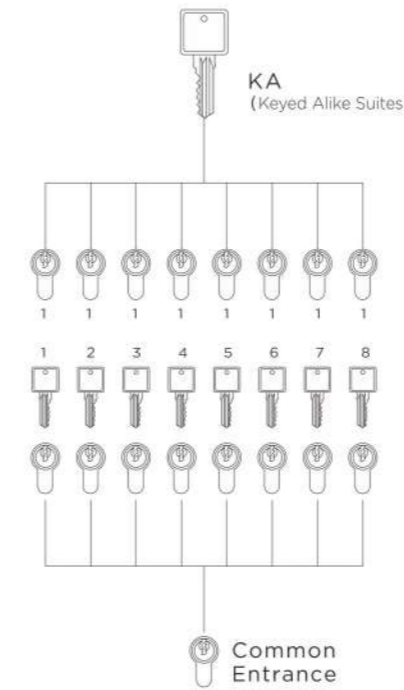
1. Color: SN/BLK/MSB/PVD/MAB/MAC
2. Anti-snap bar placed at the housing
3. Anti-break bar placed at the housing
4. Using telescopic pin and moving pin structure.
5. Standard 0.1 - 0.15mm gap between rotor and housing
6. Suitable for doing master key system. Offering master pins (3 kinds)
7. Key blanks with mobile pins assembled already
8. Available for different finishes, Plastic key head. Nickel silver keys



**CY.B.DP04.70.SN
Euro Profile Double Entry Cylinder**

Technical Specifications

1. Material: Brass HPB59-1
2. Color: SN/BLK/MSB/PVD/MAB/MAC
3. Section Size: $\phi 17 \times 33 \times 10$ mm
4. Cam: Sintered Steel, R15*6.5
5. 6 pcs movable detainer
6. Keys: Brass / Cupronickel
7. Emergency and danger function: Allows you to open a door with an already inserted key on the inside

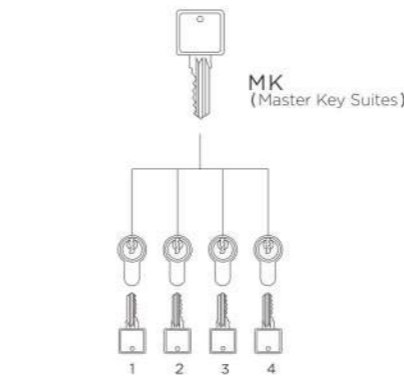


Keyed To Differ

Cylinders to differ are all operated by individual keys all different to each other

Keyed Alike Suites (KA)

In keyed alike arrangements all cylinders are operated by the same key. This gives an arrangement where one key will open a group of locks. Not to be confused with a master keyed suite (see below). Cylinders can also be keyed alike to the euro profile, oval and rim cylinders. This is useful where a combination of cylinder mortice lock cases and cylinder rim nightlatches are being used.

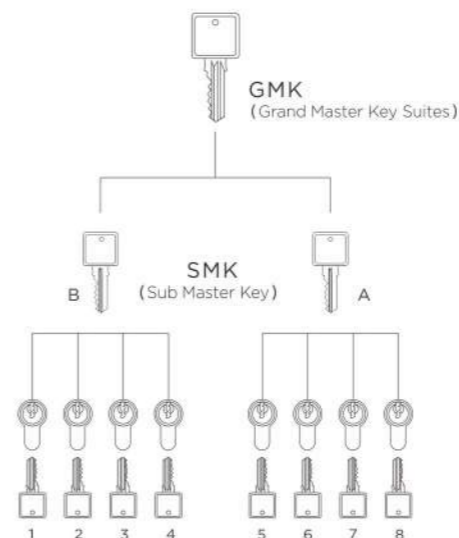


Common Entrance Suite

Common entrance (or flat entrance) suites are designed to enable a tenant to use the same key for his own private doors as well as doors common to other residents within the same buildings. The common entrance feature can be incorporated within any master key suite.

Master Key Suites (MK)

In Master key suites, a group of cylinders, each equipped with an individual servant key, is also operated by one special key known as the master key. Keyed alike groups can also be incorporated into any master key suite.



Grand Master Key Suites (GMK)

Grand master key suites are used when it is necessary to have more than one master key group. These groups are referred to as sub suites. In these instances all cylinders irrespective of their sub suite, are controlled by one key known as the grand master key.

Latch Bolt Lock

LB.7255.L



Features

According to EN 12209 - Grade 3, DIN 18251-1
 For wooden or steel doors
 For single-leaf doors
 Optional for rebated or non-rebated doors
 Suitable for external fire and smoke doors
 Latch bolt locks

Technical data

Follower	7mm,8mm,9mm
Distance	72mm
Bracket	40/45/50/55/60/65/70/80/100mm

Forend

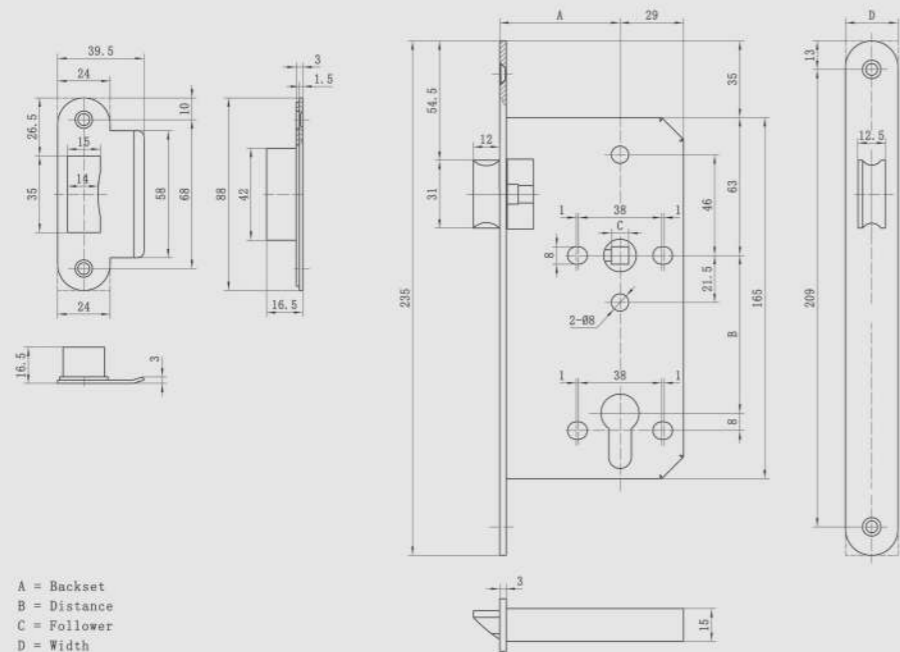
Type	square head,round head
Thickness	3mm
Width	20mm,22mm,23mm,24mm

Forend finish

Stainless steel	satin stainless steel polished stainless steel
Vacuum metallizing	satin brass PVD AB AC

Accessories

Striking plate
 Pocket
 Fixing screws



Dead Bolt Lock

LB.7255.D



Features

According to EN 12209 - Grade 3, DIN 18251-1
 For wooden or steel doors
 For single-leaf doors
 Optional for rebated or non-rebated doors
 Suitable for external fire and smoke doors
 Prepared for profile cylinders
 With key action
 Deadbolt 2-turns

Technical data

Distance	72mm
Bracket	40/45/50/55/60/65/70/80/100mm

Forend

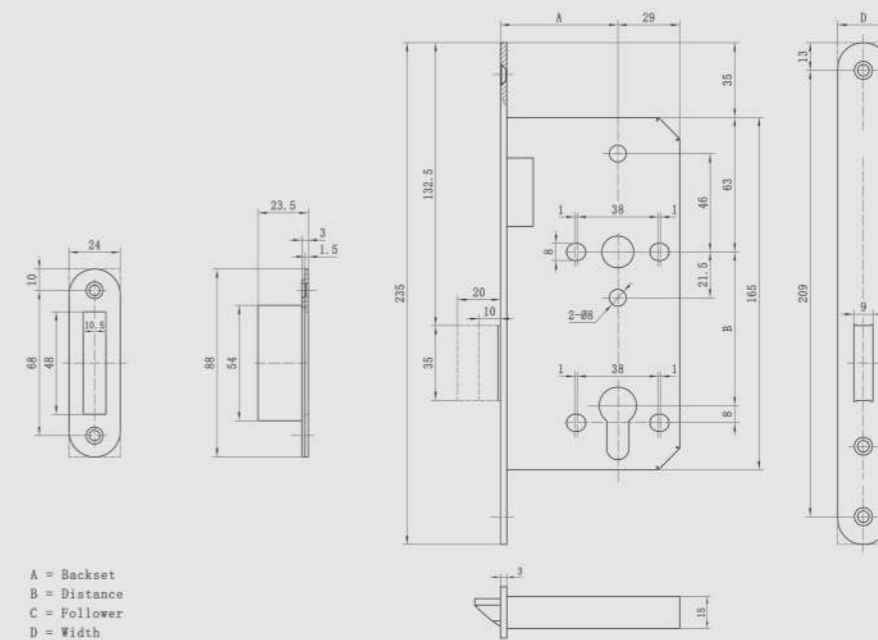
Type	square head,round head
Thickness	3mm
Width	20mm,22mm,23mm,24mm

Forend finish

Stainless steel	satin stainless steel polished stainless steel
Vacuum metallizing	satin brass PVD AB AC

Accessories

Striking plate
 Pocket
 Fixing screws



Bathroom Lock

LB.7855



Features

According to EN 12209 - Grade 3, DIN 18251-1
 For wooden or steel doors
 For single-leaf doors
 Optional for rebated or non-rebated doors
 For bathroom doors
 Deadbolt 1-turn

Technical data

Follower	7mm,8mm,9mm
Deadbolt follower	5mm,8mm
Distance	78mm
Backset	55/60mm

Forend

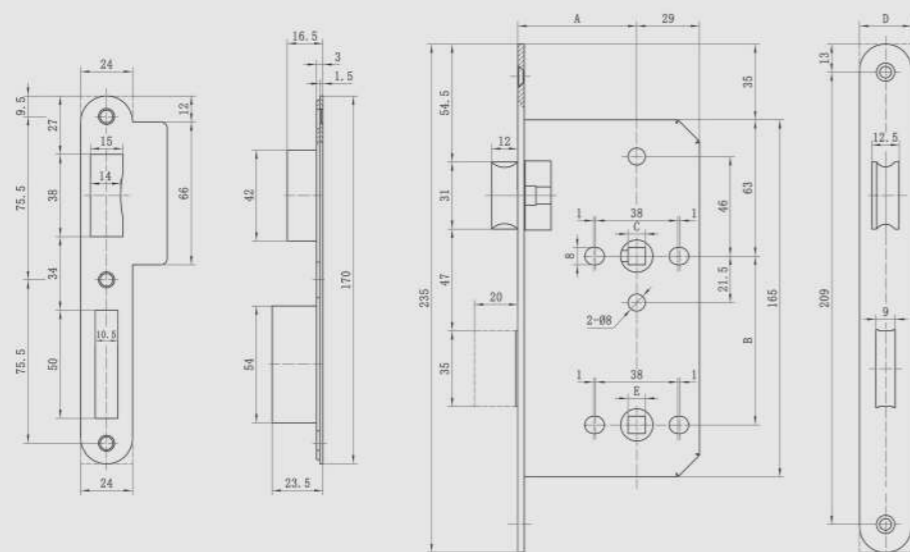
Type	square head, round head
Thickness	3mm
Width	20mm, 22mm, 23mm, 24mm

Forend finish

Stainless steel	satin stainless steel polished stainless steel
Vacuum metallizing	satin brass PVD AB AC

Accessories

Striking plate
 Pocket
 Fixing screws



A = Backset
 B = Distance
 C = Lever follower
 D = Width
 E = Deadbolt follower

Nightlatch Lock

LB.7255S



Features

According to EN 12209 - Grade 3, DIN 18251-1
 For wooden or steel doors
 For single-leaf doors
 Optional for rebated or non-rebated doors
 Suitable for doors where single action of escape is required

Technical data

Follower	7mm,8mm,9mm
Distance	72mm
Backset	40/45/50/55/60/65/70/80/100mm

Forend

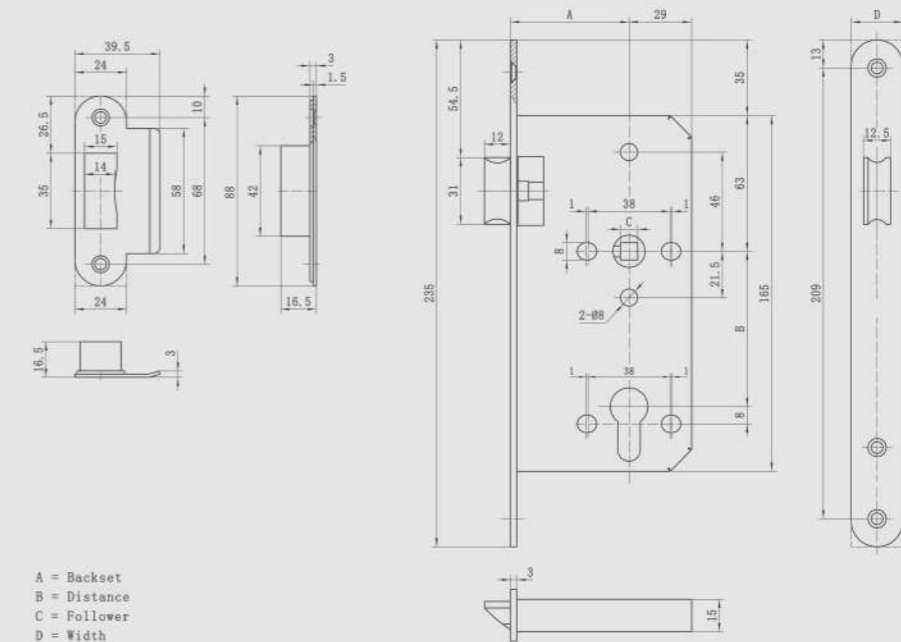
Type	square head, round head
Thickness	3mm
Width	20mm, 22mm, 23mm, 24mm

Forend finish

Stainless steel	satin stainless steel polished stainless steel
Vacuum metallizing	satin brass PVD AB AC

Accessories

Striking plate
 Pocket
 Fixing screws



A = Backset
 B = Distance
 C = Follower
 D = Width

Nightlatch Lock

A72ZN



Features

According to EN 12209 - Grade 3, DIN 18251-1
 For wooden or steel doors
 For single-leaf doors
 Optional for rebated or non-rebated doors
 Suitable for doors where single action of escape is required
 The door will be re-locked automatically when its closed and the security will be ensured

Technical data

Follower	7mm,8mm,9mm
Distance	72mm
Bracket	55/60/70/80mm

Forend

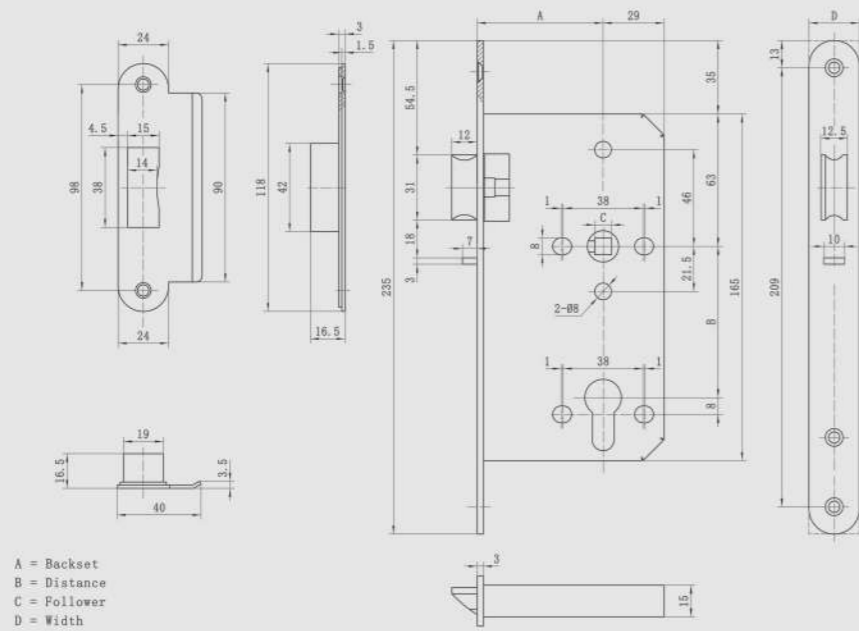
Type	square head, round head
Thickness	3mm
Width	20mm,22mm,23mm,24mm

Forend finish

Stainless steel	satin stainless steel polished stainless steel
Vacuum metallizing	satin brass PVD AB AC

Accessories

Striking plate
 Pocket
 Fixing screws



Night Deadbolt Lock

72ZND



Features

According to EN12209-Grade 3, DIN 18251-1
 For wooden or steel doors
 For single-leaf doors
 Optional for rebated or non-rebated doors
 Suitable for external fire and smoke doors
 Night lock with deadbolt
 Prepared for profile cylinders
 With key action
 Deadbolt 2-turns

Technical data

Follower	7mm,8mm,9mm
Distance	72mm
Bracket	55/60/70/80mm

Forend

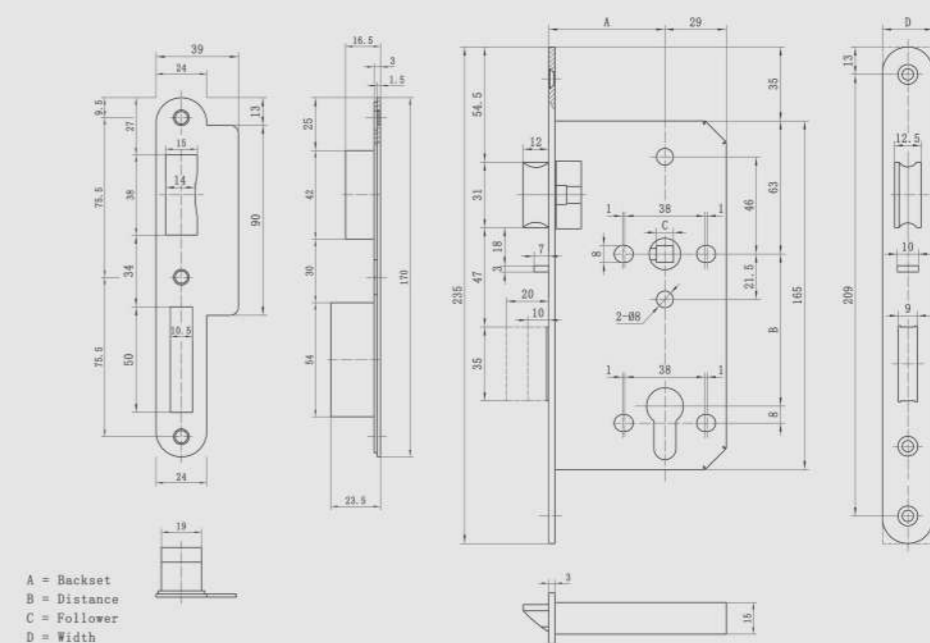
Type	square head, round head
Thickness	3mm
Width	20mm,22mm,23mm,24mm

Forend finish

Stainless steel	satin stainless steel polished stainless steel
Vacuum metallizing	satin brass PVD AB AC

Accessories

Striking plate
 Pocket
 Fixing screws



Mortise Mute Lock

LB.7255M



Features

According to EN 12209 - Grade 3, DIN 18251-1
 For wooden or steel doors
 For single-leaf doors
 Zinc alloy with black nylon, mute lock, follower is Cold heading
 Prepared for profile cylinders
 With key action
 Deadbolt 2-turns

Technical data

Follower	7mm, 8mm, 9mm
Distance	72mm
Backset	55mm

Forend

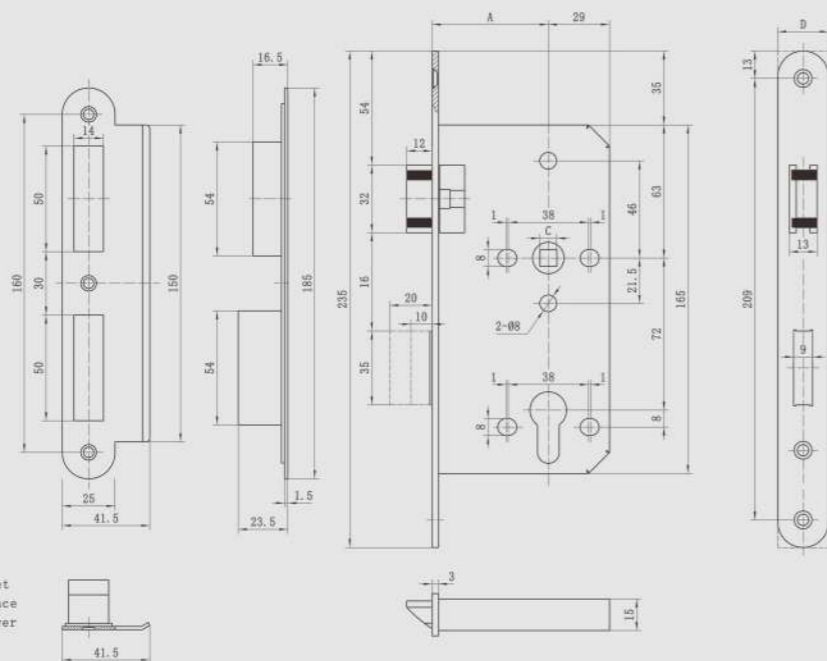
Type	square head, round head
Thickness	3mm
Width	20mm, 22mm, 23mm, 24mm

Forend finish

Stainless steel	satin stainless steel polished stainless steel
Vacuum metallizing	satin brass PVD AB AC

Accessories

Striking plate
 Pocket
 Fixing screws



Mortise Mute Lock

LB.7255



Features

According to EN 12209 - Grade 3, DIN 18251-1
 For wooden or steel doors
 For single-leaf doors
 Nylon latch mute lock
 Prepared for profile cylinders
 With key action
 Deadbolt 2-turns

Technical data

Follower	7mm, 8mm, 9mm
Distance	72mm
Backset	55mm

Forend

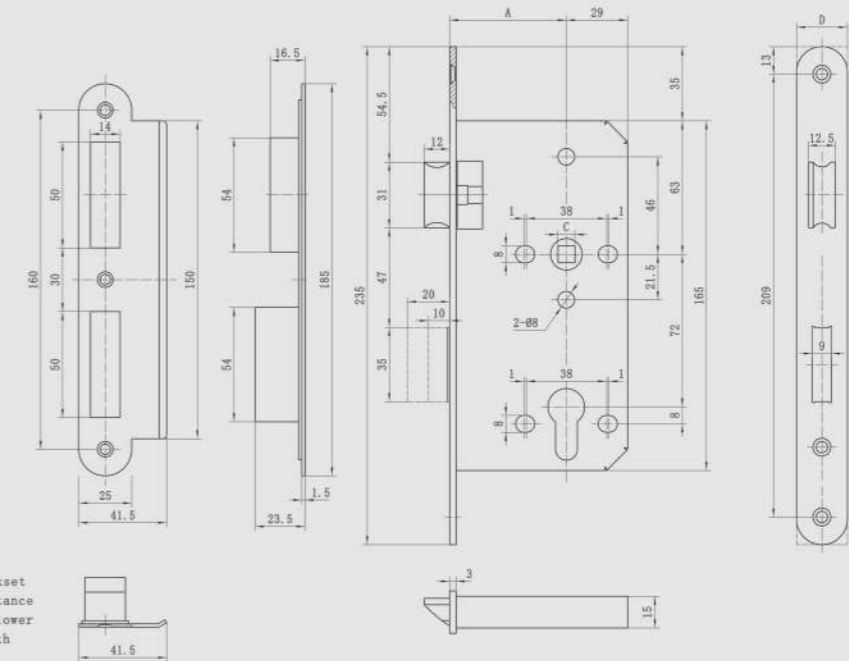
Type	square head, round head
Thickness	3mm
Width	20mm, 22mm, 23mm, 24mm

Forend finish

Stainless steel	satin stainless steel polished stainless steel
Vacuum metallizing	satin brass PVD AB AC

Accessories

Striking plate
 Pocket
 Fixing screws



Standard lock

LB.8545



Features

According to EN12209-Grade 3
 For wooden or steel doors
 For single-leaf doors
 Suitable for external fire and smoke doors
 Prepared for profile cylinders
 With key action
 Deadbolt 2-turns

Technical data

Follower	7mm,8mm,9mm
Distance	85mm
Backset	40/45/50/60/70/80mm

Forend

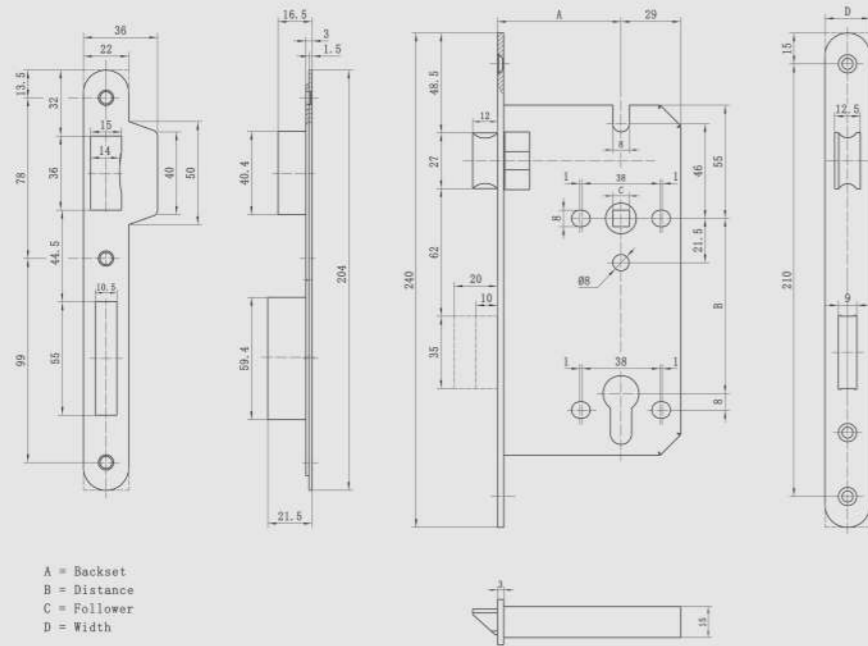
Type	round head, square head
Thickness	3mm
Width	20mm,22mm,23mm,24mm

Forend finish

Stainless steel	satin stainless steel polished stainless steel
Vacuum metallizing	satin brass PVD AB AC

Accessories

Striking plate
 Pocket
 Fixing screws



Standard Lock

LB.8545F



Features

According to EN 12209 - Grade 3
 For wooden or steel doors
 For single-leaf doors
 Optional for rebated or non-rebated doors
 Italy style lock body, Four slots latch lock body
 Prepared for profile cylinders
 With key action
 Deadbolt 2-turns

Technical data

Follower	7mm,8mm,9mm
Distance	85mm
Backset	40/45/50/60/70/80mm

Forend

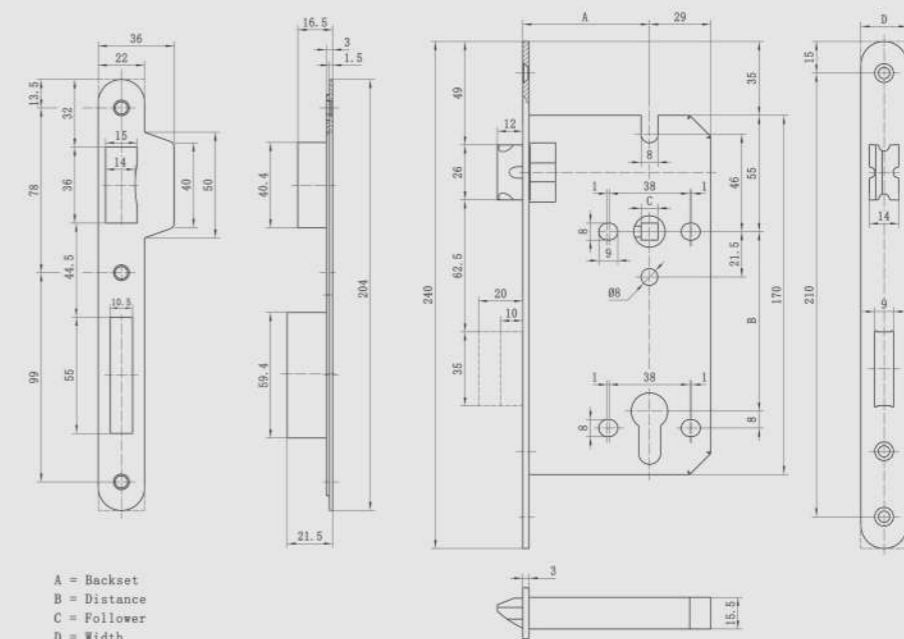
Type	square head, round head
Width	20mm,22mm,23mm,24mm

Forend finish

Stainless steel	satin stainless steel polished stainless steel
Vacuum metallizing	satin brass PVD AB AC

Accessories

Striking plate
 Pocket
 Fixing screws



Roller Lock

LB.7255.ROLLER



Features

According to EN12209-Grade 3, DIN 18251-1
 For single-leaf doors
 Suitable for external fire and smoke doors
 Prepared for profile cylinders
 With key action
 Deadbolt 2-turns

Technical data

Distance	72mm
Backset	40/45/50/55/60/65/70/80/100mm

Forend

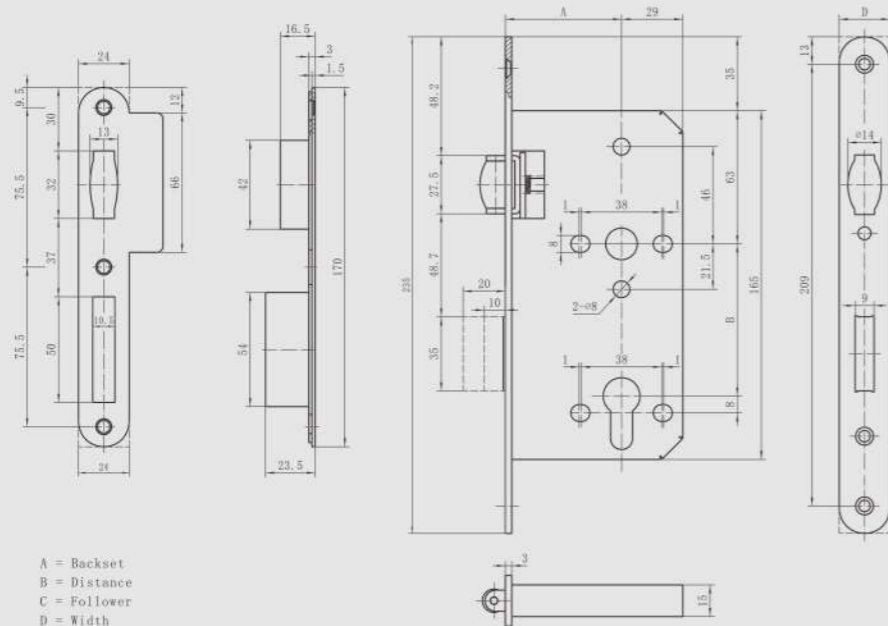
Type	round head, square head
Thickness	3mm
Width	20mm, 22mm, 23mm, 24mm

Forend finish

Stainless steel	satin stainless steel polished stainless steel
Vacuum metallizing	satin brass PVD AB AC

Accessories

Striking plate
 Pocket
 Fixing screws



Roller Lock

LB.8545.ROLLER



Features

According to EN12209-Grade 3
 For sliding doors
 Suitable for external fire and smoke doors
 Prepared for profile cylinders
 With key action
 Deadbolt 2-turns

Technical data

Distance	85mm
Backset	40/45/50/60/80mm

Forend

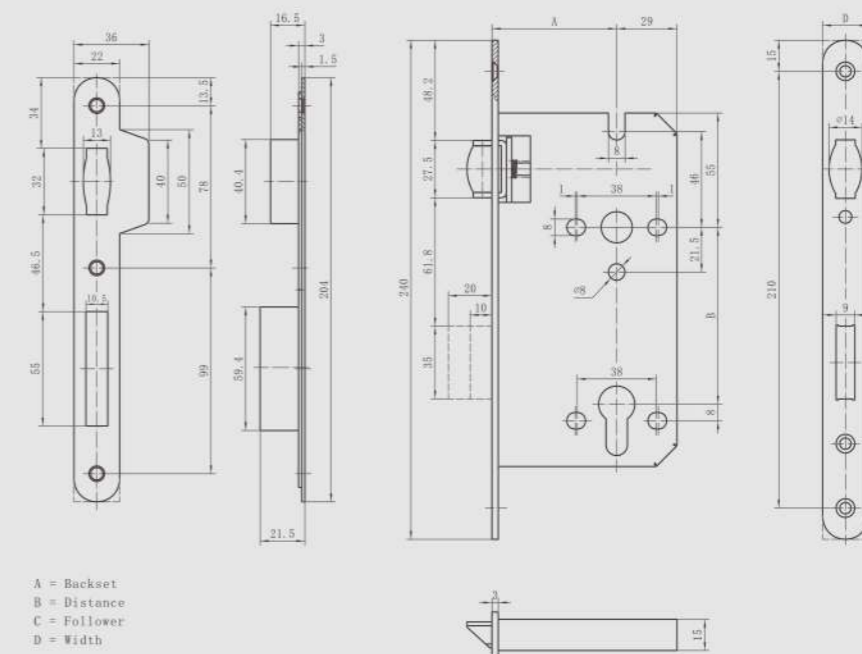
Type	round head, square head
Thickness	3mm
Width	20mm, 22mm, 23mm, 24mm

Forend finish

Stainless steel	satin stainless steel polished stainless steel
Vacuum metallizing	satin brass PVD AB AC

Accessories

Striking plate
 Pocket
 Fixing screws



Latch Bolt Lock

LB.55NL



Features

According to EN 12209-Grade 3
 For wooden or steel doors
 For single-leaf doors
 Optional for rebated or non-rebated doors
 Suitable for external fire and smoke doors
 Latch bolt locks

Technical data

Follower	7mm,8mm,9mm
Backset	55mm

Forend

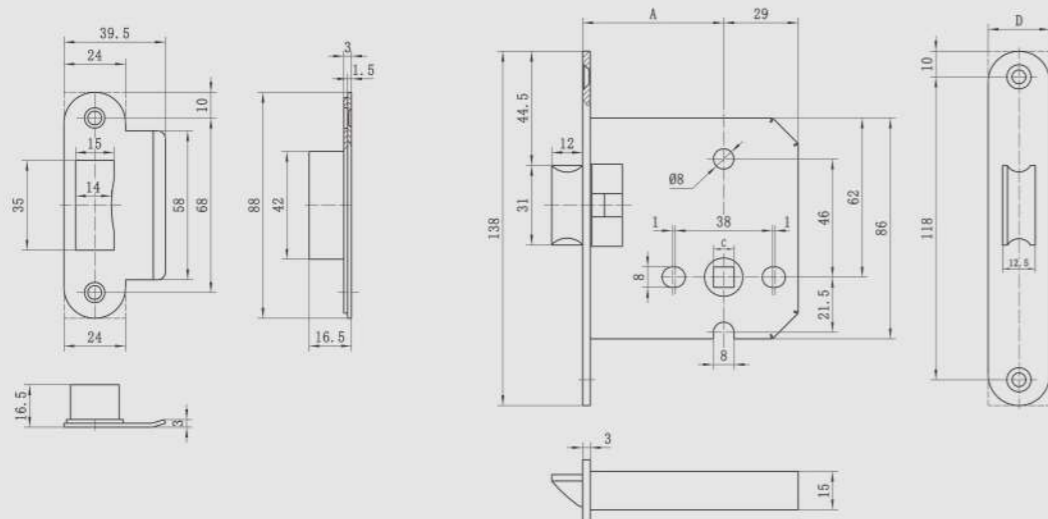
Type	round head, square head
Thickness	3mm
Width	20mm,22mm,23mm,24mm

Forend finish

Stainless steel	satin stainless steel polished stainless steel
Vacuum metallizing	satin brass PVD AB AC

Accessories

Striking plate
 Pocket
 Fixing screws



A = Backset
 B = Distance
 C = Follower
 D = Width

Dead Bolt Lock

LB.8508



Features

According to EN12209-Grade 3
 For wooden or steel doors
 For single-leaf doors
 Optional for rebated or non-rebated doors
 Suitable for external fire and smoke doors
 Prepared for profile cylinders
 With key action
 Deadbolt 2-turns

Technical data

Backset	45/55mm
---------	---------

Forend

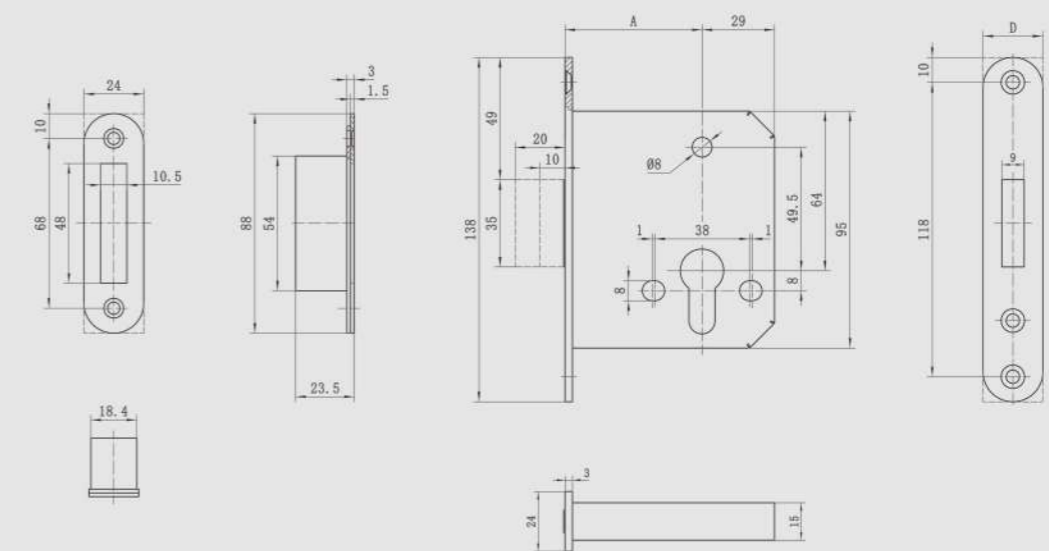
Type	round head, square head
Thickness	3mm
Width	20mm,22mm,23mm,24mm

Forend finish

Stainless steel	satin stainless steel polished stainless steel
Vacuum metallizing	satin brass PVD AB AC

Accessories

Striking plate
 Pocket
 Fixing screws

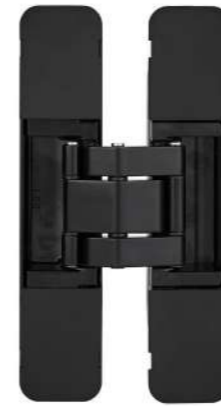
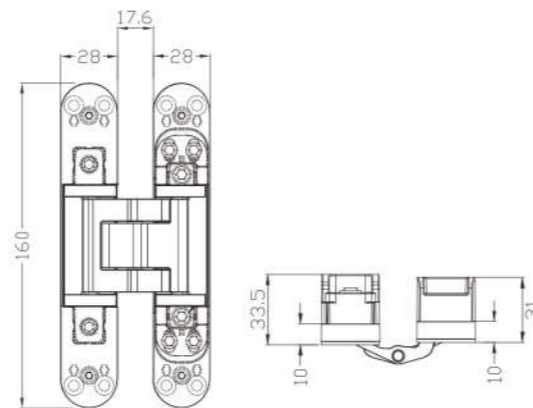


A = Backset
 B = Distance
 C = Follower
 D = Width



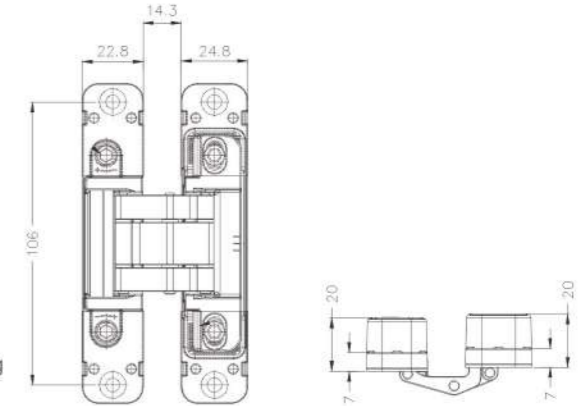
HG.3D.160MM.80KG

Main material: zinc alloy
 Surface treatment: white, matte black, black nickel brushed
 Bronze, PVD, bright chrome, nickel brushed
 Load bearing: 2 pieces 80 kg



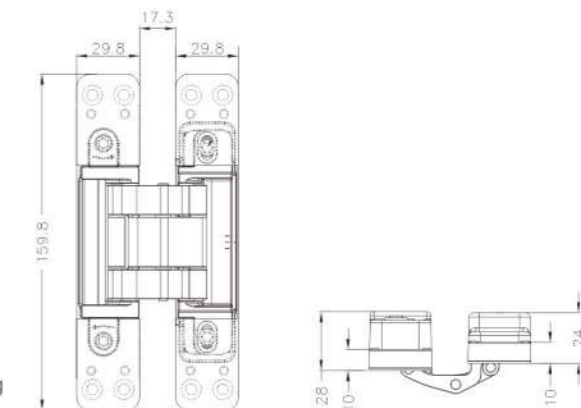
HG.3D.110F.40KG

Main material: zinc alloy
 Finish: matte black, silver
 Load bearing: 2 pieces 40 kg



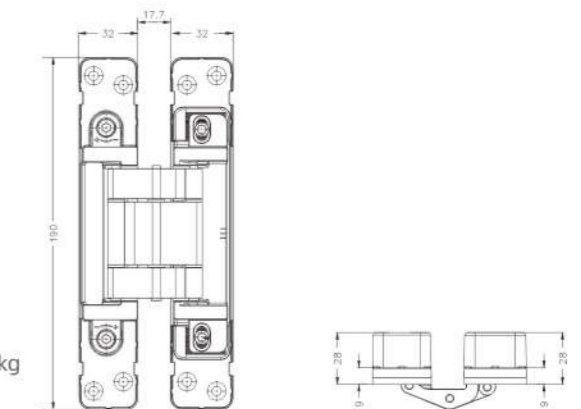
HG.3D.160F.80KG

Main material: zinc alloy
 Finish: matte black, silver
 Load bearing: 2 pieces 80 kg



HG.3D.190F.100KG

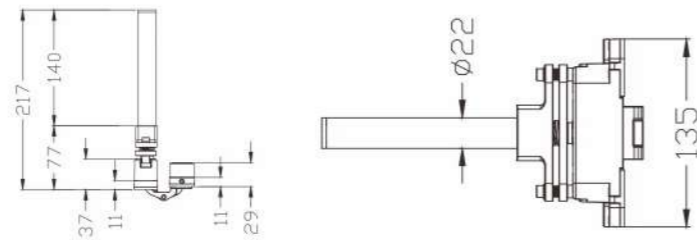
Main material: zinc alloy
 Finish: matte black, silver
 Load-bearing: 2 pieces 100 kg





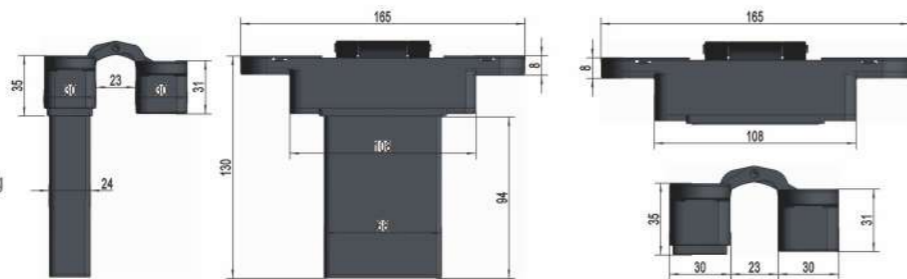
HG.3D.CO9.60KG BL

Main material: zinc alloy
 Finish: matte black
 Load-bearing: 3 pieces 60 kg



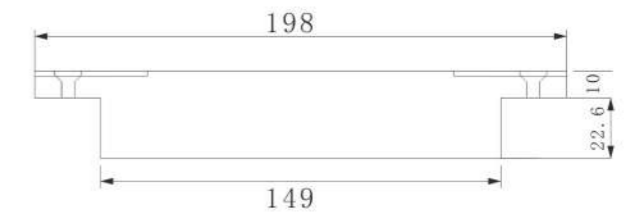
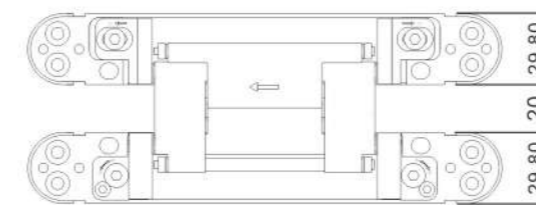
HG.3D.C20.80KG BL

Main material: zinc alloy
 Finish: matte black
 Load-bearing: 3 pieces 80 kg



HG.3D.198MM.80KG BL

Main material: Zinc alloy + aviation aluminum
 Surface treatment: matte black, black nickel
 Load-bearing: 3 pieces 80 kg



HG.3D.160MM

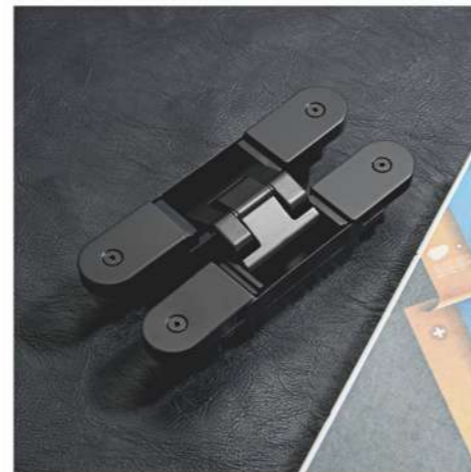
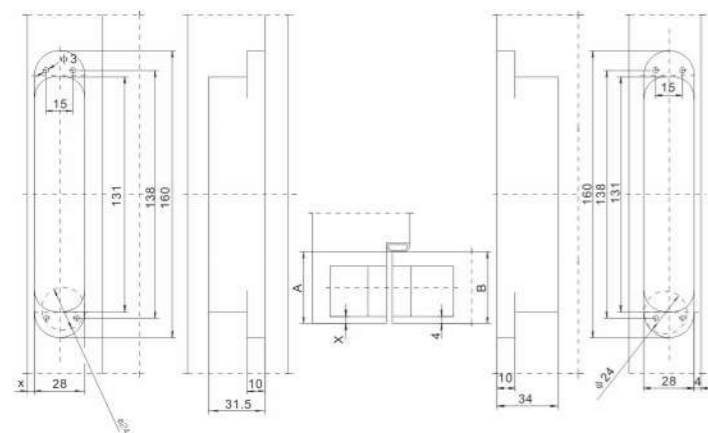
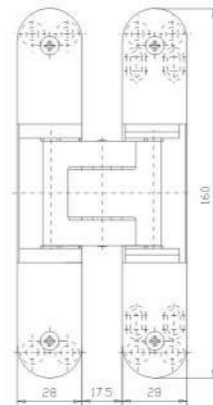


FEATURES

Material	zinc alloy
Load capacity	80 kg/ 2 pcs
Height	160mm
Widths	frame:28mm / leaf:28 mm
Depth	frame: 31mm/ leaf: 33.5mm
Min. Door Thickness	40mm chart
Router Bit Diameter	24mm

CONTINUOUSLY ADJUSTABLE IN 3 DIMENSIONS

Side	±3 mm
Height	±3 mm
Depth	±1 mm



HG.3D.S.160/120KG.SS



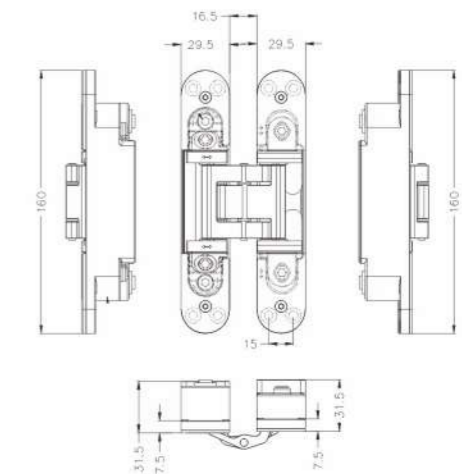
DOOR SPECIFICATIONS

Material	stainless steel
Max. Door Weight	120kg (2 pcs)
Door Thickness	38-60mm
Door Size	width<900mm height<2300mm

ADJUSTMENT

Vertical	±3 mm
Horizontal	±1.5 mm
Depth	±1.5 mm

HINGE PARTS

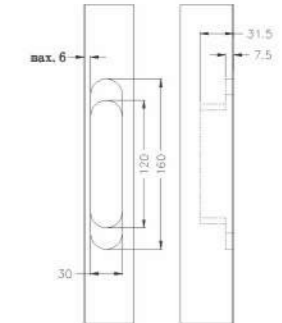
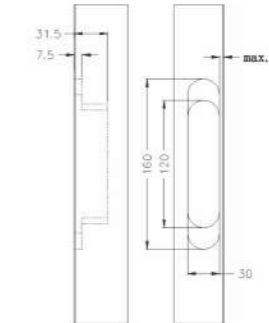
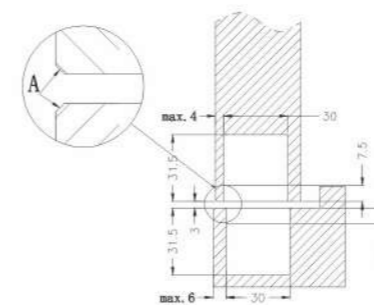


CUT OUT DRAWING

NOTE: The edge of door and frame need to be applied with C1 or R1 processing. (refer to "A" in the drawing)

cut out drawing for door side

cut out drawing for frame side



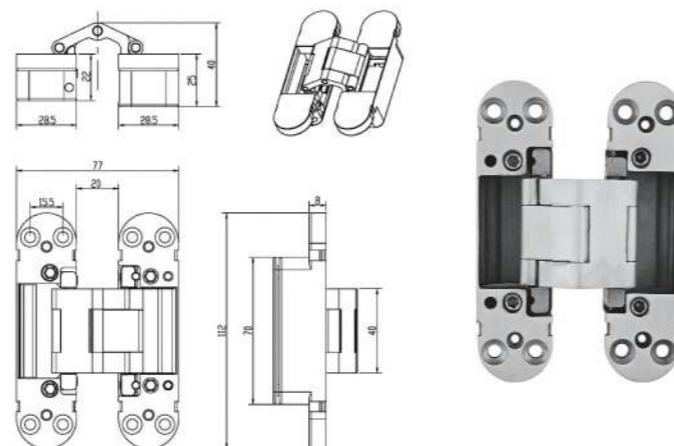
HG.3D.S.112/100KG.SS



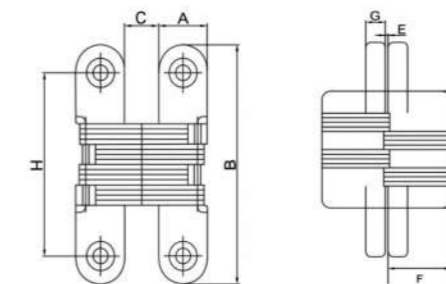
TECHNICAL DETAIL

Load capacity (two hinges per door leaf)	100kg
Overall length	112mm
Width (frame part)	28.5mm
Width (door part)	28.5mm
Cutting depth (frame part)	24mm
Cutting depth (door part)	27mm
Opening angle	180°
Minimum door thickness (timber door)	40mm
Minimum door thickness (steel door)	35mm

Material: stainless steel
 Finish: Body: Nature
 Cover: Customized (surface treatment for stainless steel)



HG.SZ.ED-02.SN



HG.SZ.ED-04°SN-TH

Dimension (mm)	Zinc Alloy Shell Stainless Steel Core Concealed Hinge Parameter										
	34X140	28X118	25X118	19X95	16X70	13X60	13X45	28X118	28X118	28X118	19X118
A	34	28	25	19	16	13	13	28	25	28	19
B	139.5	117.5	117.5	95	70	60	45	117.5	117.5	117.5	95
C	27.5	22	18	13	11	9	9	25	18	22	13
D	74.5	61.5	64	51.2	34	30	19	61.5	64	61.5	51.2
E	1.6	1.4	1.6	1.2	0.8	0.8	0.8	1.4	1.6	1.4	1.2
F	51	41	36	27	22.5	18	18	44	36	41	27
G	11.5	9.5	11	9	7	6	5	12	11.5	9.5	9
H	outer hole 113.5 inner hole 102.5	outer hole 93 outer hole 87	90	73	51	47	30.5	90	90	outer hole 93 inner hole 87	73
Door thickness	50mm	40mm	35mm	30mm	25mm	20mm	20mm	40mm	35mm	40mm	30mm
Each weight g/pc	1400g	785g	650g	310g	160g	85g	55g	800g	630g	1090g	276g
Bearing weight kg/pc	50kg	40kg	30kg	25kg	15kg	10kg	5kg	25kg	30kg	40kg	25kg

Installation: 3pcs for a door, it depends on door thick, weight, and actual situation.

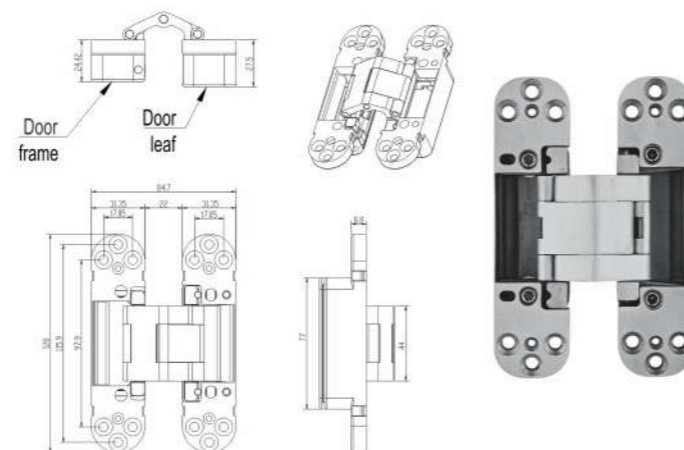
HG.3D.S.128/120KG.SS



TECHNICAL DETAIL

Load capacity (two hinges per door leaf)	120kg
Overall length	128mm
Width (frame part)	32mm
Width (door part)	32mm
Cutting depth (frame part)	26.5mm
Cutting depth (door part)	29mm
Opening angle	180°
Minimum door thickness (timber door)	40mm
Minimum door thickness (steel door)	38mm

Material: stainless steel
 Finish: Body: Nature
 Cover: Customized (surface treatment for stainless steel)



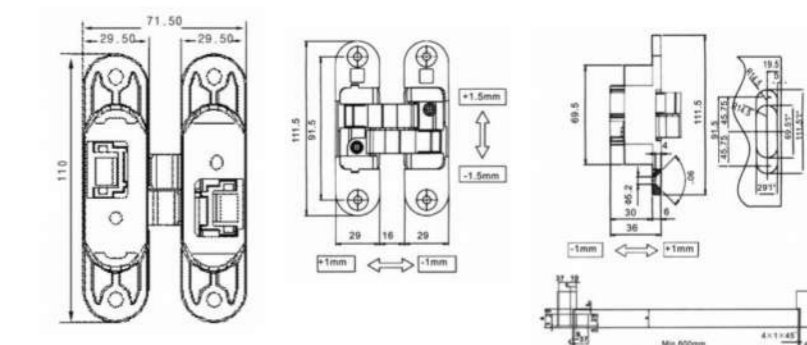
HG.3D.110MM



TECHNICAL DETAIL

Material: zinc alloy
 Finish: SC, SN, CP, NP, AB, AC, etc.
 Area of application: For wooden frames, for steel frames, for aluminum frames, etc.
 Installation: Door weight: ≤60 kg with 3 door hinges
 Opening angle: <180°
 Door width: ≤1000mm
 Door thickness: ≥40mm
 Door height: ≥2100mm with 4 door hinges
 Size: 110mm
 Adjustment facility: Continuously 3D adjustable:
 Height ±1.5 mm, side and closing pressure ±1 mm
 Mounting: Suitable for DIN left hand, DIN right hand

LEFT HAND RIGHT HAND

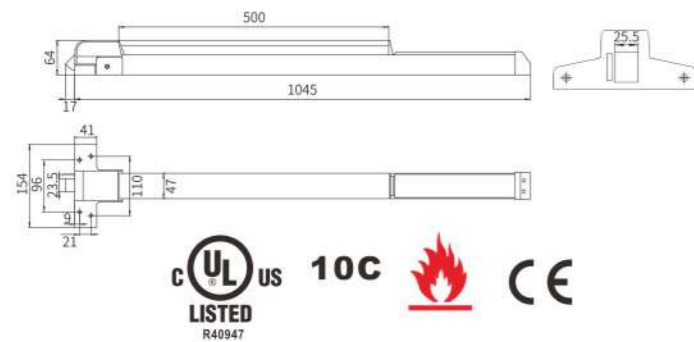


TOUCH BAR FIRE RATED RIM TYPE PB.1710 SERIES



PB.1710P

PB.1710S



FEATURE

Rim Narrow Type
 Security Latch bolt
 Touch Bar Length:500mm
 Body Length:1045mm, Can cutting to min 650mm
 EN1125, 196min Fire Rated, CE Certification
 UL10C 3HOURS FIRE RATED
 UL NO:R40947
 Silver powder painting, Color Optional
 Work With Outside Trim Lock and Cylinder On P183



SPECIFICATION

Model	PB.1710P	PB.1710S
Material	Alu Cover, metal bar	Sus304 Cover, Sus304 Bar
Bolt	Sus304	Sus304
End Cap	Metal	Sus304
Striker	Sus304	Sus304

OPTIONAL FULL TOUCH BAR



ACCESSORIES

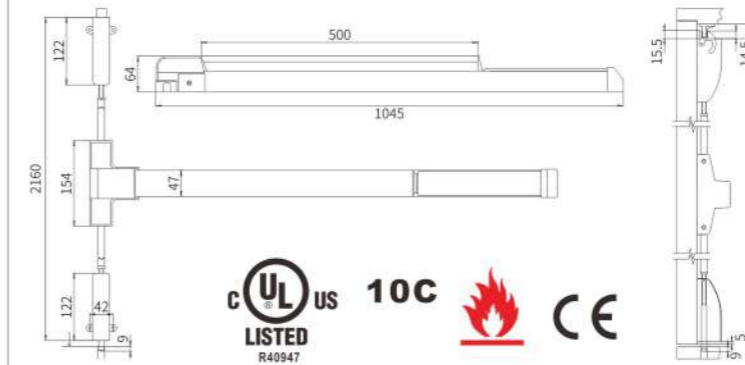


TOUCH BAR FIRE RATED VERTICAL TYPE PB.1720 SERIES



PB.1720P

PB.1720S



FEATURE

Vertical Narrow Type
 Touch Bar Length:500mm
 Body Length:1045mm, Can be cutting to min 650mm
 Upper&Lower tube:900mm
 Max Door Height:2160mm
 EN1125, 132min Fire Rated, CE Certification
 UL10C 3HOURS FIRE RATED
 UL NO:R40947
 Silver powder painting, Color Optional
 Work With Outside Trim Lock and Cylinder On P183



SPECIFICATION

Model	PB.1720P	PB.1720S
Material	Alu Cover, metal bar	Sus304 Cover, Sus304 Bar
Upper and Lower body	Metal	Nickel Metal
Upper bolt	Sus304	Sus304
End Cap	Metal	Sus304
Upper Striker	Sus304	Sus304

OPTIONAL FULL TOUCH BAR



ACCESSORIES



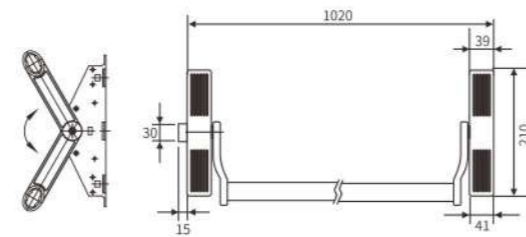
CROSS BAR RIM TYPE PB.1310



PB.1310

FEATURE

1. One point lock
2. Material: Zinc Alloy
3. No Handed
4. Horizontal bar standard :900mm
5. Color: Painted optional
6. Door width: Max for 1020mm



CROSS BAR RIM TYPE PB. 3010

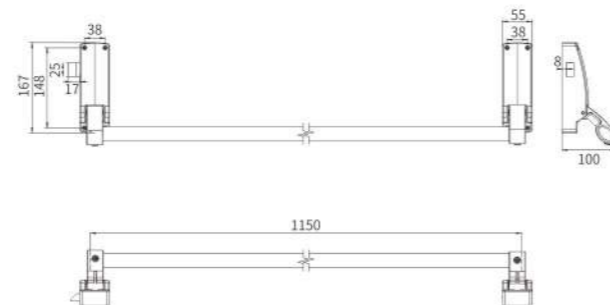


PB.1110

Material: Alu body, Iron tube
 Finish: Spray Grey
 Tube Length: 1150mm
 Bolt: Iron
 Description: European type, popular on UK, India market.
 Work with PB.0111E and PB.011KE outside trim lock



CROSS PAD PB.111P

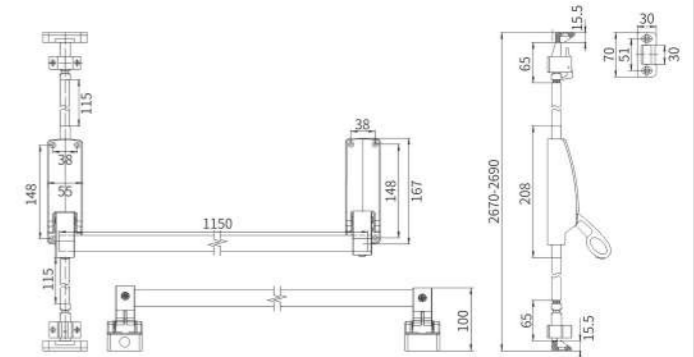


CROSS BAR VERTICAL TYPE PB.1120



PB.112P

Material: Alu body, Iron tube
 No handed
 Finish: Spray Grey
 Tube Length: 1150mm
 Upper and Lower tube Length: 1150mm
 Max door height: 2600mm
 Vertical type, two points lock
 Popular on UK, India market.
 Fixed with PB.0111E outside trim lock

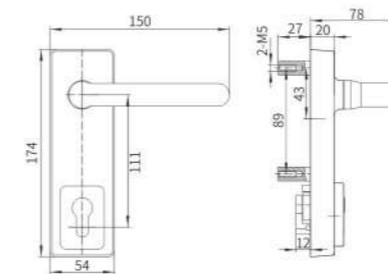


OUTSIDE TRIM LOCK FOR PB.1100 SERIES

PB.0111E LEVER TRIM LOCK



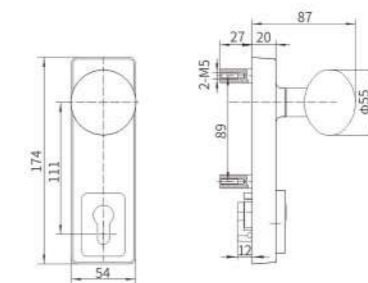
Material: Zinc body, Alu Lever
 Cylinder: Brass half-cylinder
 Key: 3 brass keys
 Finish: Spray Grey
 Work with cross bar panic exit device PB.1110 & 1120



PB.0111KE KNOB TRIM LOCK



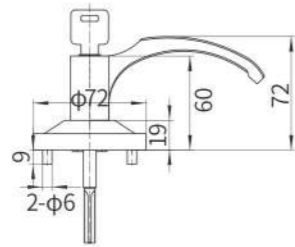
Material: Zinc body, Alu Knob
 Cylinder: Brass half-cylinder
 Key: 3 brass keys
 Finish: Spray Grey
 Work with cross bar panic exit device PB.1110





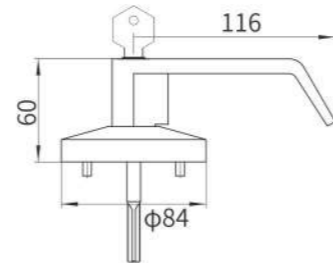
PB.L.7000

Zinc Alloy
Three Computer Brass keys
Brass Cylinder
Finish: SN
Round Panel:68mm
Max Door Thickness:55mm
Plate: Square



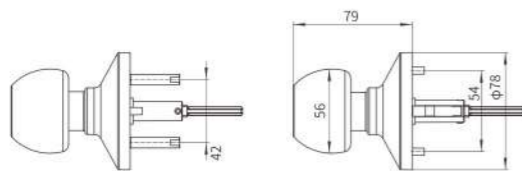
PB.L.8000

StainLess Steel 304 / Zinc Alloy
Three Brass keys
Finish: SS/MSC
Round Panel:84mm
Max Door Thickness:55mm
Plate: Round



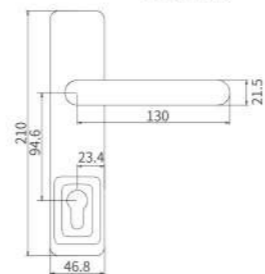
PB.L.5000

StainLess Steel 304
Three SC Brass Keys
SC Brass Cylinder
Finish: SS
Knob Set
Max Door Thickness:55mm
Clutch Function
Entry Knob



PB.L.9000

Sus 304 body
Sus304 Lever
Cylinder Size:40mm
Brass Cylinder
Three Brass Keys
Max Door Thickness:75mm
Finish: SS



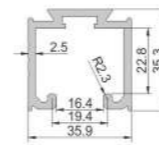
YMG.003

Product Features:

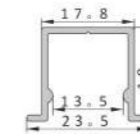
The use of hydraulic dampers Double-side cushioning effect is good; concave wheel anti-swing, automatic dust removal, easy to push and pull; quick-disassembly structure, fast and easy repair.

Technical Summary:

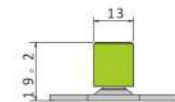
Main Material: Deep groove ball bearing, Zinc (aluminum) alloy, Steel
Finish: Pearl Chrome
Types of:Wood door
Weight Capacity: 80kg S/Door
Packing: Paper Box Packed. 20 Sets/Carton



Sling rail (H-042)



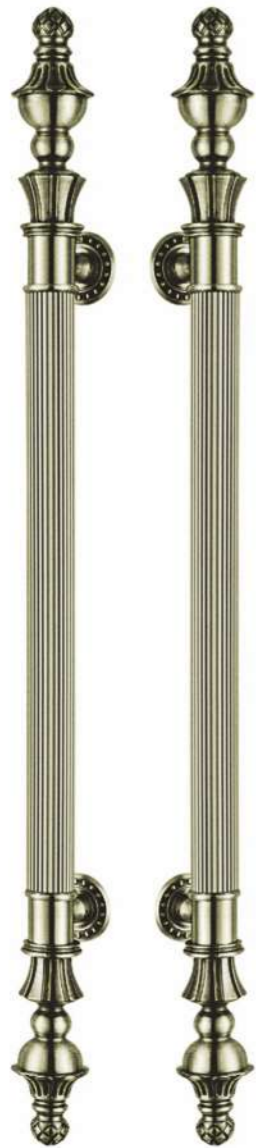
Bottom rail (H-016)



Bottom rail (D-X05)



BP18093.DAB/EG/PVD



BP18091.DAB/EG/PVD



BP18095.DAB/EG/PVD



BP18097.EG/DAB/PVD



PH.Z.165.COF



PH.Z.174.DAB



PH.Z.203.DAB



PH.Z.334.DAB



PH.Z.201.DAB



PH.Z.202.PVD



ZPH.171201-N.DAB



ZPH.171202-N.DAB



ZPH.17033.DAB



ZPH.17035.DAB



ZPH.181101.COF



ZPH.181102.PVD



ZPH.17309.DAB



ZPH.17502.MSN



ZPH.201122.PVD



ZPH.201123.DAB



ZPH.201124.MSN



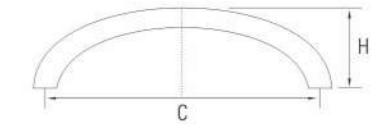
ZPH.201125.MSN



ZPH.201126.PVD



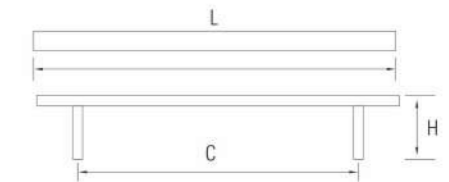
ZPH.2308111.MSN



C	96	128	160	192	224	256
H	35	35	35	35	35	35

SC-801 SS

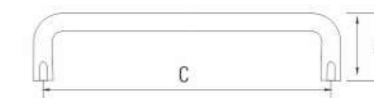
Material:Stainless steel
 Diameter: Φ10mm/ Φ12mm
 Finishes:Sanding/Mirror polish



C	64	96	128	160	192	224	256	288
H	35	35	35	35	35	35	35	35
L	100	150	200	250	300	350	400	450

SC-802 SS

Material:Stainless steel
 Diameter:Φ10mm/Φ12mm/Φ14mm
 Finishes:Sanding/Mirror polish



C	96	128	160	192	224	256
H	35	35	35	35	35	35

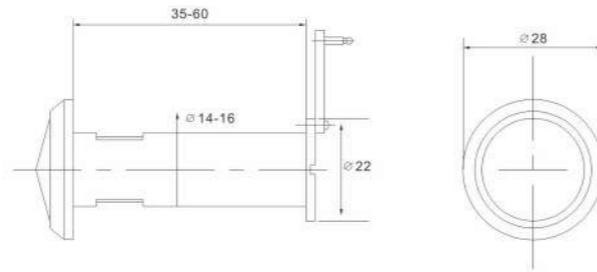
SC-803 SS

Material:Stainless steel
 Diameter:Φ8mm/Φ10mm/Φ12mm
 Finishes:Sanding/Mirror polish



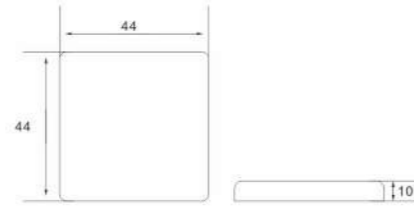
DV.B.05.SC

Material:
Zinc alloy/Brass
Finish:
SC/SN/AB/AC/GP



DS.P.3700.GR

Material:
Rubber with 3M sticker
Finish:
WH/BLK/GR



SPINDLE HX 8*60



SPINDLE 8*8*100



SPINDLE TAIL ROUND
8*32



SPINDLE HALF 8*70



SPINDLE 8*CROSS*100



WS.S.B001.SS



WS.S.HG90.SS



WS.S.B001.SS



WS.S.HK86.SS



WS.S.CH01.SS



WS.S.KN45.SS



WS.S.FT100.SS

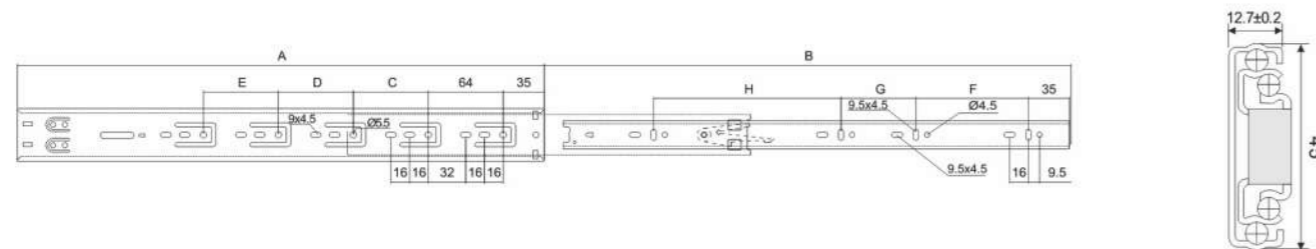


TX.451202.RT

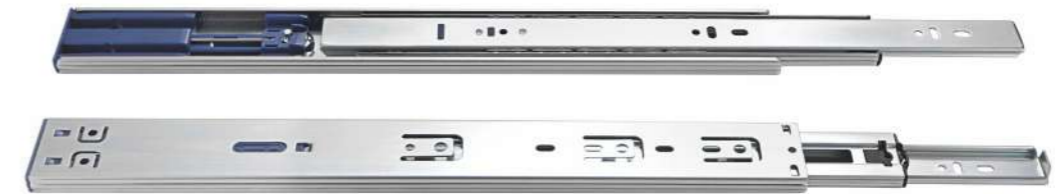
Width: 45mm
 Material: cold-rolled steel
 Length: 300-600mm (12"-24")
 Thickness: 12.7±0.2mm
 Maximum load: 30kg- 45kg
 The installed forms: drawer side
 Surface treatment: electrophoresis black, electro-galvanized
 Soope: Cabinet/Home furniture/Office furniture/Decoration project etc

Thickness Range .

NO	Material thickness
1	1.1x1.2x1.4mm
2	1.0x1.0x1.2mm



SIZE	A	B	C	D	E	F	G	H
LS4502-300	300	290				96	120	
LS4502-350	350	350	64			128	128	
LS4502-400	400	400	96			128	160	
LS4502-450	450	450	96	64		96	64	160
LS4502-500	500	500	96	96		128	64	192
LS4502-550	550	550	96	196	64	160	64	224
LS4502-600	600	600	96	196	96	160	64	256

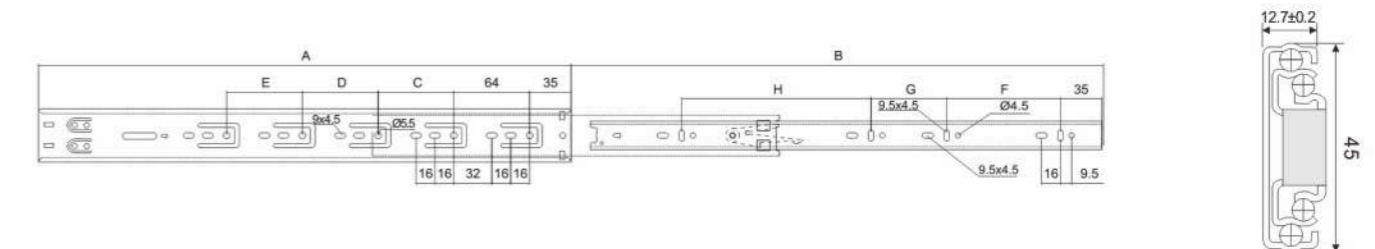


TX.451201.BF

Width: 45mm
 Material: cold-rolled steel
 Length: 300-600mm (12"-24")
 Thickness: 12.7±0.2mm
 Maximum load: 30kg- 45kg
 The installed forms: drawer side
 Surface treatment: electrophoresis black, electro-galvanized
 Soope: Cabinet/Home furniture/Office furniture/Decoration project etc

Thickness Range .

NO	Material thickness
1	1.1x1.2x1.4mm
2	1.0x1.0x1.2mm



SIZE	A	B	C	D	E	F	G	H
LS4502-300	300	290				96	120	
LS4502-350	350	350	64			128	128	
LS4502-400	400	400	96			128	160	
LS4502-450	450	450	96	64		96	64	160
LS4502-500	500	500	96	96		128	64	192
LS4502-550	550	550	96	196	64	160	64	224
LS4502-600	600	600	96	196	96	160	64	256



HG.F.T002.A

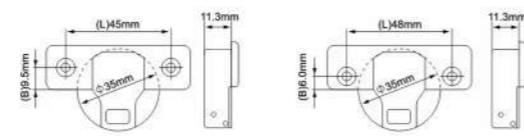


HG.F.T002.B



HG.F.T002.C

Diameter of hinge cup: 35mm
 Material: cold-rolled steel
 Hole distance of hinge cup: 48mm/45mm
 Depth of hinge cup: 11.3mm
 Opening angle: 100-110°
 Finish: electrolysis
 Door thickness: 14-18mm

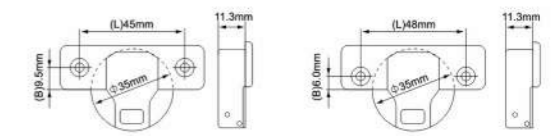


H=Height of mounting plate
 K=Drilling distance from the edge of door to edge of the hole
 D=Required door overlay
 A=Gap between door and side panel
 L=Gap between door and carcass
 T=Door thickness

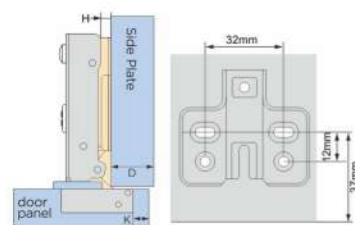


HG.F.T003.A

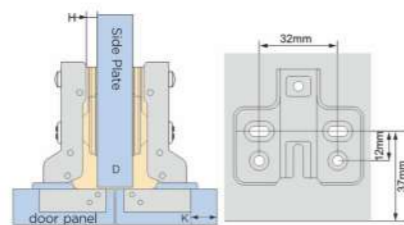
Diameter of hinge cup: 35mm
 Material: cold-rolled steel
 Hole distance of hinge cup: 48mm/45mm
 Depth of hinge cup: 11.3mm
 Opening angle: 100-110°
 Finish: electrolysis
 Door thickness: 14-18mm



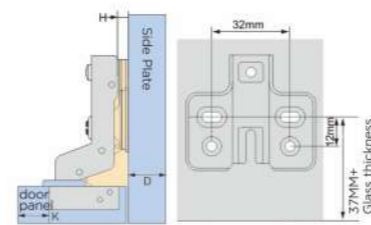
H=Height of mounting plate
 K=Drilling distance from the edge of door to edge of the hole
 D=Required door overlay
 A=Gap between door and side panel
 L=Gap between door and carcass
 T=Door thickness



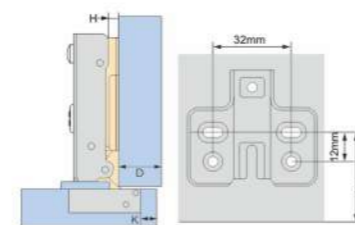
D	K	3	4	5	6	7
H=0		16	17	18	19	20
H=3		13	14	15	16	17



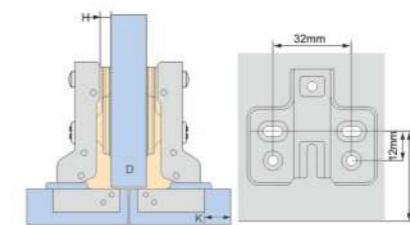
D	K	3	4	5	6	7
H=0		7	8	9	10	11
H=3		4	5	6	7	8



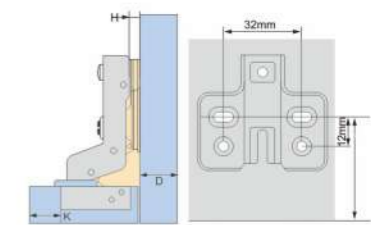
D	K	3	4	5	6	7
H=0		-2.5	-1.5	-0.5	0.5	1.5



D	K	3	4	5	6	7
H=0		16	17	18	19	20
H=3		13	14	15	16	17



D	K	3	4	5	6	7
H=0		7	8	9	10	11
H=3		4	5	6	7	8



D	K	3	4	5	6	7
H=0		-2.5	-1.5	-0.5	0.5	1.5

YMG.010



Part Configuration Chart

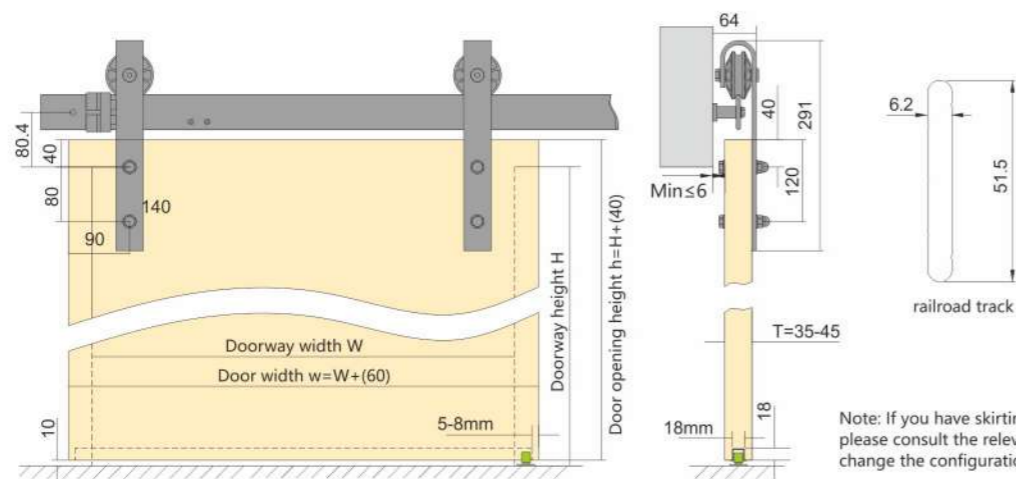
Suitable for doorway width		≤0.7m	≤0.85m	≤1.25m	≤1.45m
Accessory Name	3D picture reference	1.5m Single door usage	2.0m Single door usage	2.5m Single door usage	3.0m Single door usage
tackle		2	2	2	2
railroad track 1		1	1	1	1
railroad track 2		1	1	1	1
Fixed seat (optional)	L=35mm L=45mm	4	5	6	8
anti-jumping device		2	2	2	2
limit switch		2	2	2	2
shock absorbers		2	2	2	2
Damping stops		2	2	2	2
lower locating wheel		1	1	1	1
Rail end caps		2	2	2	2
Kits (sets)		1	1	1	1
Patented adjustable lower guide wheel	optional	1	1	1	1
gaskets	T=2.5mm T=5mm	4	5	6	8

Product Features:

Aluminum alloy round track and concave wheel structure, smooth sliding, ultra-quiet; hydraulic damper, cushioning effect is remarkable, feel light, stable; adjustable under the positioning, convenient installation debugging and maintenance; multi-combination, modular process, easy to install and wide range of applications.

Technical Summary:

Main Material: Deep groove ball bearing, Steel, Nylon
 Finish: Oxidized black
 Types of: Wood door
 Door thickness: 35mm-40mm
 Weight Capacity: 80kg
 Packing: Paper Box Packed



Note: If you have skirting or door casing, please consult the relevant personnel to change the configuration.

CONCEALED/EMBEDDED DOOR CLOSERS

Regular color:



Custom colors:



Bronze



Brown



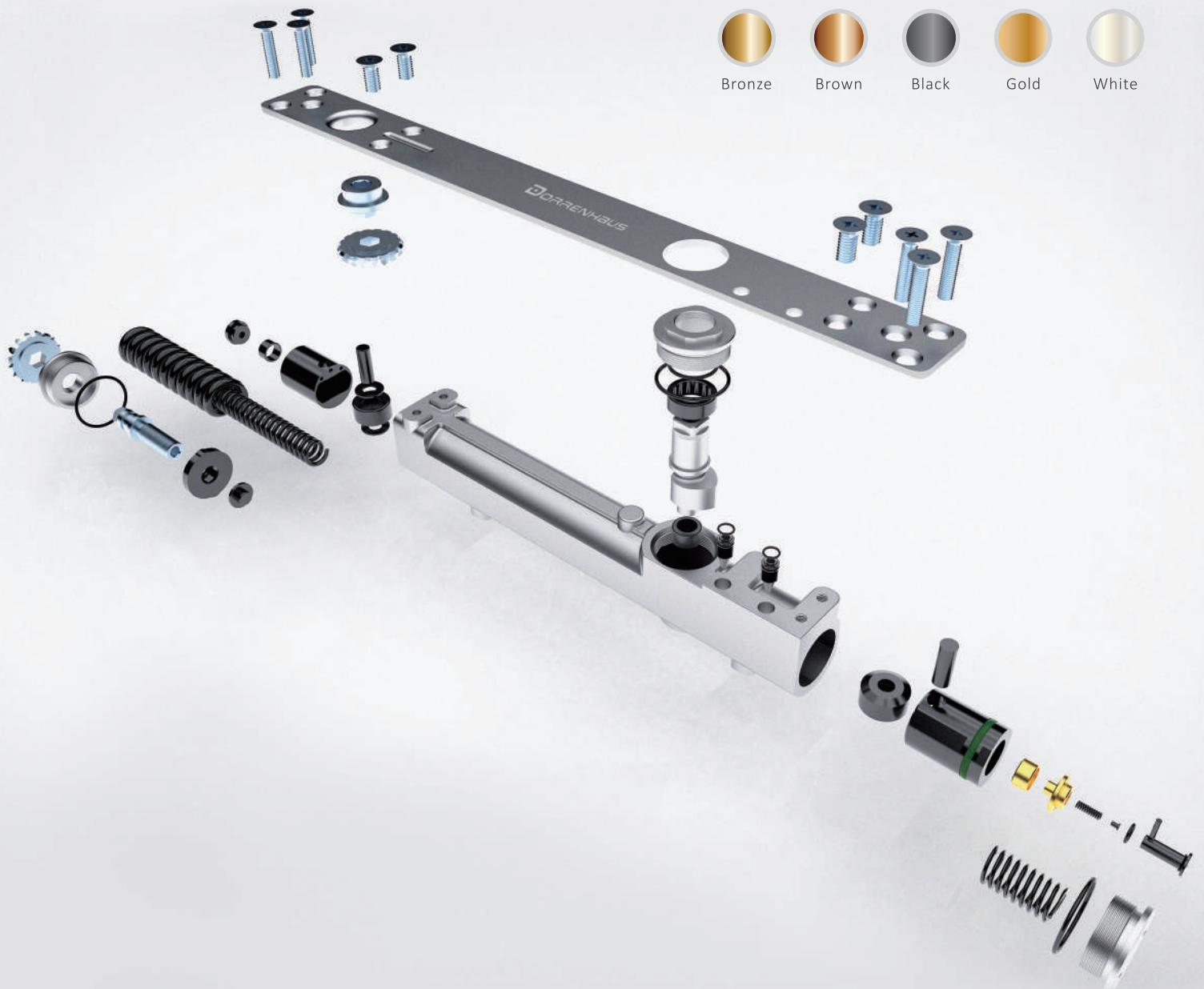
Black



Gold



White



Model:

D70 & D70A CAM ACTION
Concealed Size 2-4 Door Closers



PERFORMANCE FEATURES

- For commercial use
- Concealed door closer
- Adjustable spring force #2-4
- Ductile iron shell & Alluminium alloy
- Hold open function optional
- The product complies with the EN1154 standard



**Iron
D70**

**Aluminum
D70A**



STANDARD FEATURES

Certification	UL
Spring Power	Adjustable Size 2-4
Durability	100,000 cycles above
Speed Valves	Adjustable Closing speed Adjustable Latching speed
Back Check	NO
Hold Open	Optional
Delayed Action	NO
Pressure relief valve	Yes
Mechanism	Cam action
Hand of door	Non handed
Materials of Body	Iron/Aluminum Optional
Materials of guide rail and Main Arm	6061, Steel
Materials of Spring	60Si2Mn
Installation type	Concealed with sliding track arm
Type	Embedded
Max. Opening	120 °
Door thickness	Wooden door:45mm Metal door:40mm



Accessibility



100 Thousand Cycles



2 Years Warranty



UL Certification



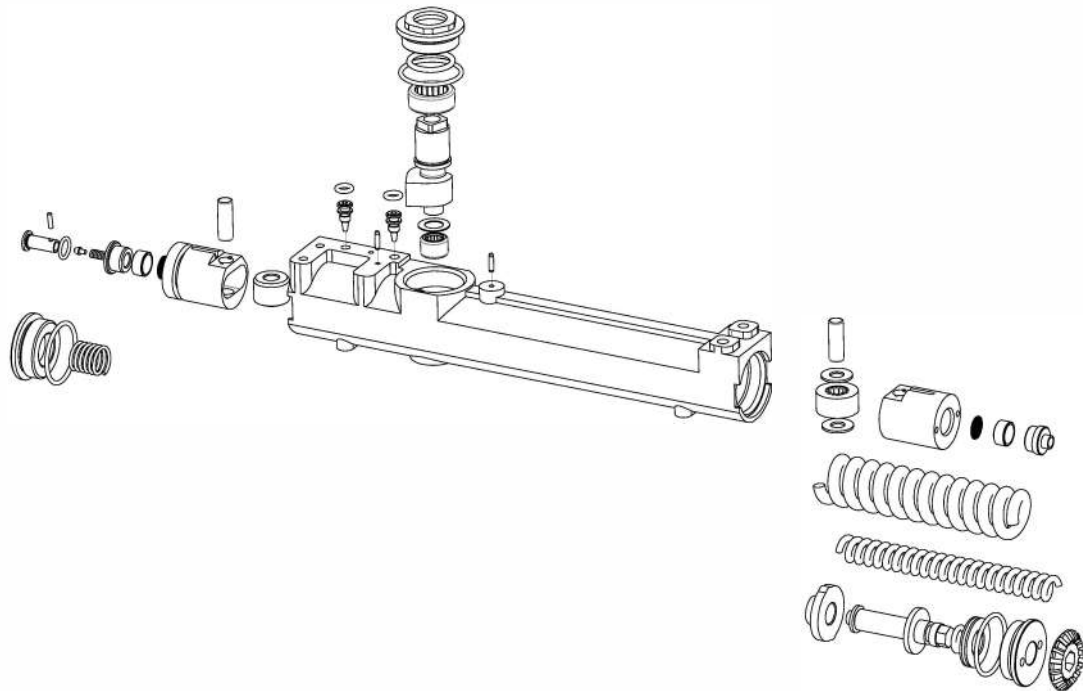
3 Hours Fire-rated

Bearing	Full complement bearings for long durability
Product Description	Efficient cam and roller design
Finish	Silver, Brown, White, Black, Others upon request
Warranty	2 Years
Cross reference	Dorma ITS96 EN2-4 GEZE BOXER EN2-4

Concealed/embedded Door Closers

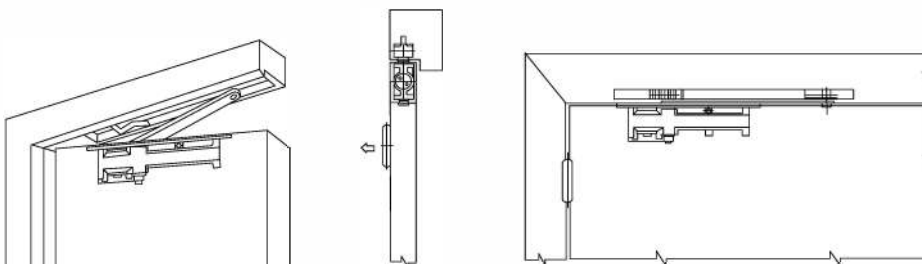
Model:

D70 & D70A CAM ACTION
 Concealed Size 2-4 Door Closers



AVAILABLE INSTALLATION TYPE

Standard install



Model #	D70&D70A
Spring power	2-4#
Recommended Door Weight	20-100 KGS
Recommended Max. Door Leaf Width (mm)	850-1100 mm
Notes	Slide track arm

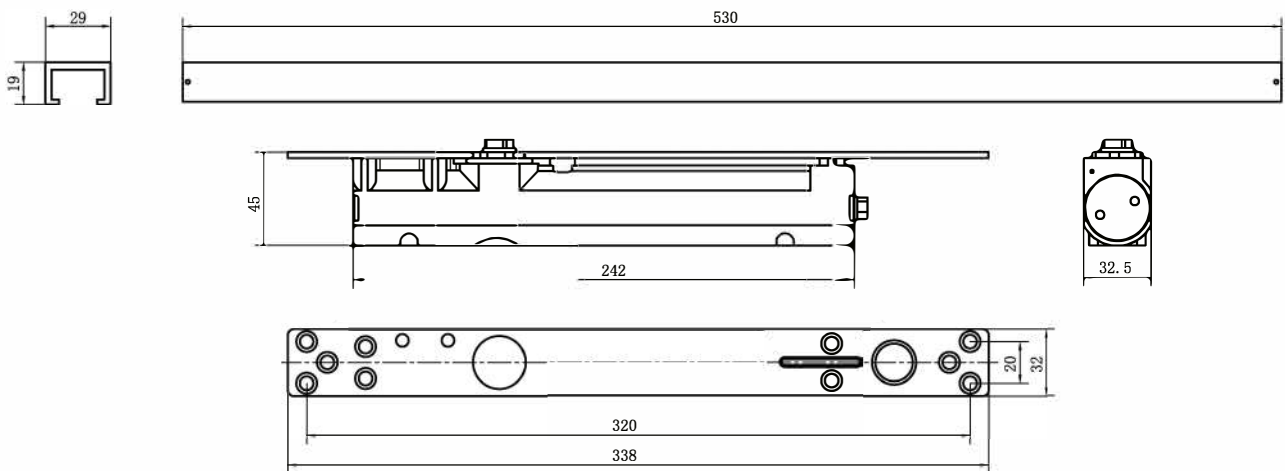
Concealed/embedded Door Closers

Model:

D70 & D70A CAM ACTION
Concealed Size 2-4 Door Closers

PRODUCT DIMENSIONS

Unit:mm

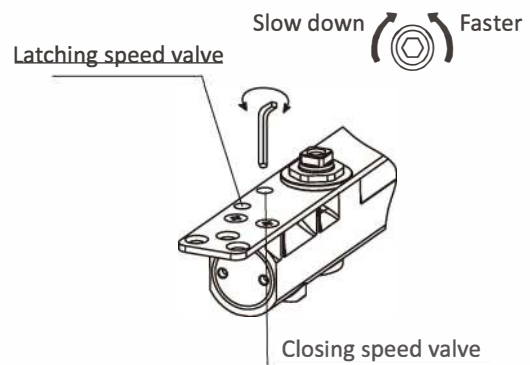
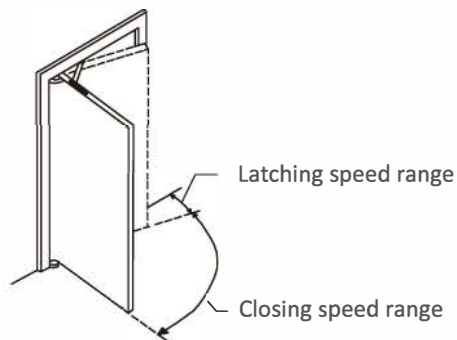


Rapid decrease in opening force makes doors easy to open, yet provides maximum closing force at the latch. D70&D70A can be installed inside the door,invisible when door is closed.

Note

Installation as per template & installation instruction

 Adjusting speed



Concealed/embedded Door Closers

Model:

D71 CAM ACTION
Concealed Size 2-6 Door Closers



PERFORMANCE FEATURES

- For commercial use
- Concealed door closer
- Adjustable spring force #2-6
- Ductile iron shell
- Hold open function optional
- The product complies with the EN1154 standard

STANDARD FEATURES



Accessibility



100 Thousand Cycles



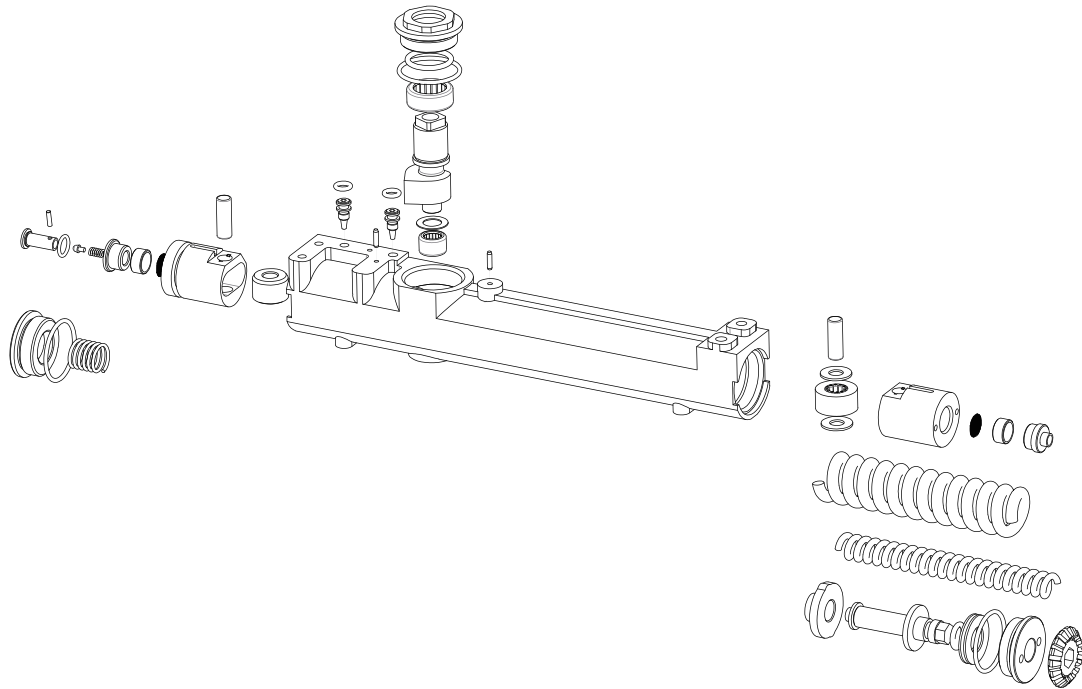
2 Years Warranty

Spring Power	Adjustable Size 2-6
Durability	100,000 cycles above
Speed Valves	Adjustable Closing speed Adjustable Latching speed
Back Check	NO
Hold Open	Optional
Delayed Action	NO
Pressure relief valve	Yes
Mechanism	Cam action
Hand of door	Non handed
Materials of Body	Die-Cast Iron
Materials of guide rail and Main Arm	6061, Steel
Materials of Spring	60Si2Mn
Installation type	Concealed with sliding track arm
Type	Embedded
Max. Opening	120 °
Bearing	Full complement bearings for long durability
Product Description	Efficient cam and roller design
Finish	Silver, Brown, White,Black, Others upon request
Warranty	2 Years
Minimum door thickness	Wooden door:52mm Metal door:48mm

Concealed/embedded Door Closers

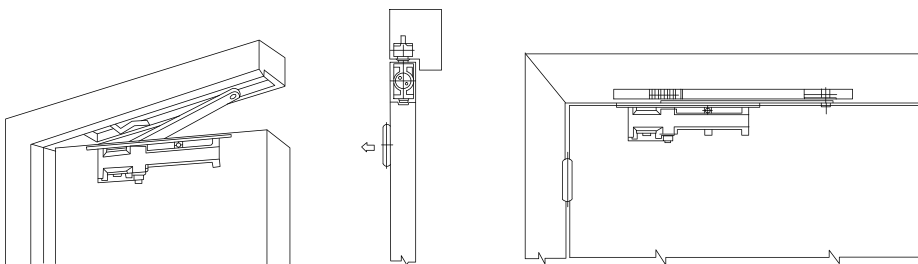
Model:

D71 CAM ACTION
 Concealed Size 2-6 Door Closers



AVAILABLE INSTALLATION TYPE

Standard install



Concealed/embedded Door Closers

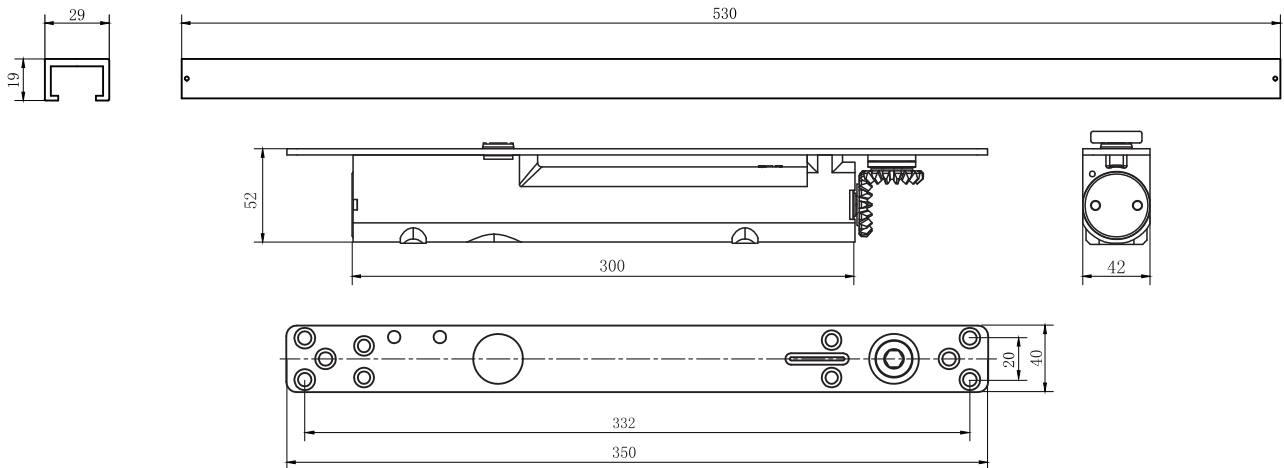
Model #	D71
Spring power	2-6#
Recommended Door Weight	20-150 KGS
Recommended Max. Door Leaf Width (mm)	850-1500 mm
Notes	Slide track arm

Model:

D71 CAM ACTION
Concealed Size 2-6 Door Closers

PRODUCT DIMENSIONS

Unit:mm

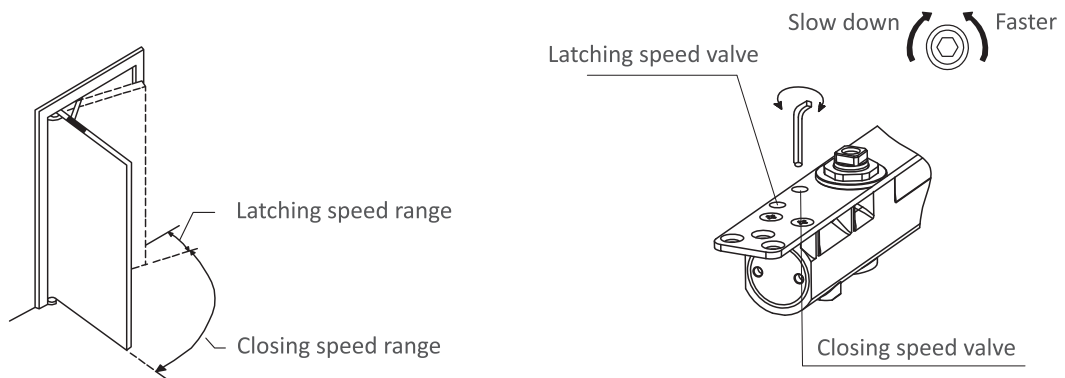


Rapid decrease in opening force makes doors easy to open, yet provides maximum closing force at the latch. D71 can be installed inside the door, invisible when door is closed.

Note

Installation as per template & installation instruction

 Adjusting speed



Model:

D30

Light Duty Concealed EN3 Door Closers



PERFORMANCE FEATURES

- Light duty concealed overhead closer
- UL228 certification
- UL10C fireproof certification
- Adjustable closing & latching speed
- Precise cast aluminum body
- Anodized aluminum sliding track arm with optional hold open device
- Slim body with 32mm thickness, Non-Handed installation
- Fixed spring force #3



STANDARD FEATURES

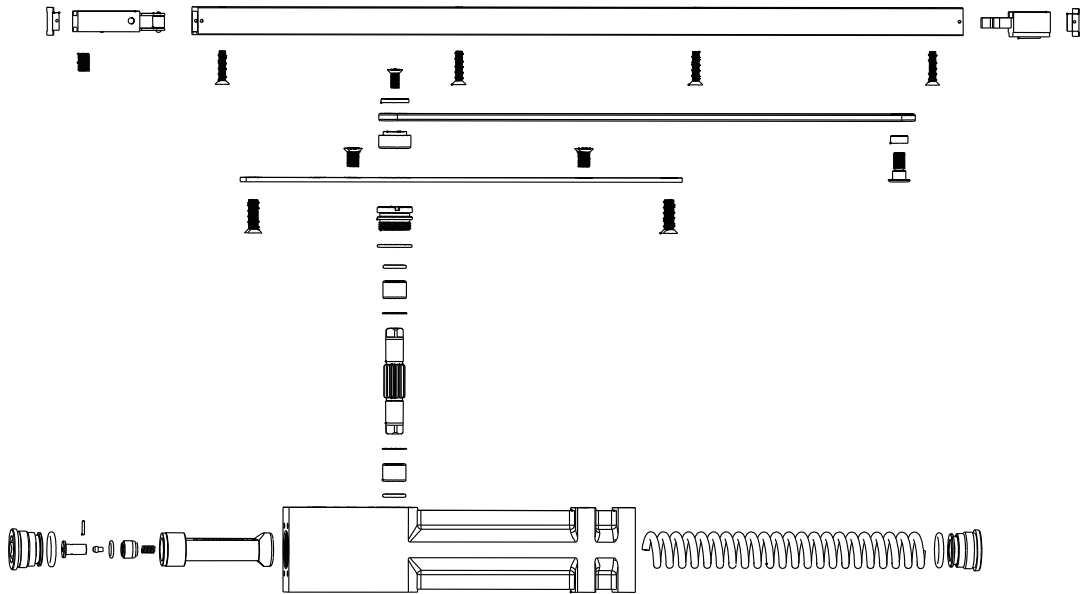
Certification	UL
Spring Power	Fixed EN3
Durability	100,000 cycles above
Speed Valves	Adjustable Closing speed Adjustable Latching speed
Back Check	NO
Hold Open	Optional
Delayed Action	NO
Pressure relief valve	Yes
Mechanism	Rack&Pinion
Hand of door	Non handed
Materials of Body	Die-Cast Aluminum
Materials of guide rail and Main Arm	6061, Steel
Materials of Spring	60Si2Mn
Installation type	Concealed with sliding track arm
Type	Embedded
Max. Opening	150 °

Bearing	Full complement bearings for long durability
Application	Suitable for interior wood, glass door and frames
Finish	Silver, Brown, White, Black, Others upon request
Warranty	2 Years
Door thickness	Wooden door:45mm Metal door:40mm
Body thickness	Slim 32mm

Concealed/embedded Door Closers

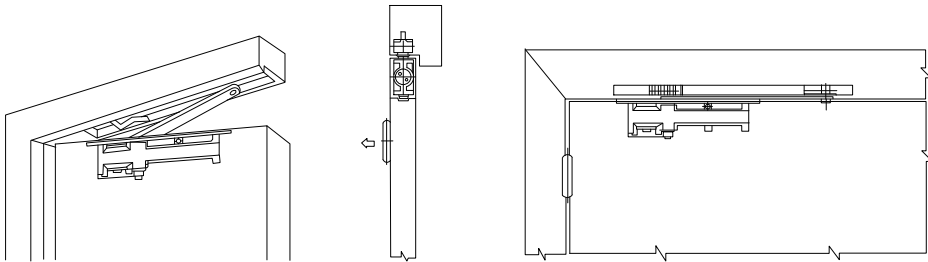
Model:

D30
Light Duty Concealed EN3 Door Closers



AVAILABLE INSTALLATION TYPE

Standard install



Model #	D30
Spring power	3#
Recommended Door Weight	40-65 KGS
Recommended Max. Door Leaf Width (mm)	950 mm
Notes	Slide track arm

Concealed/embedded Door Closers

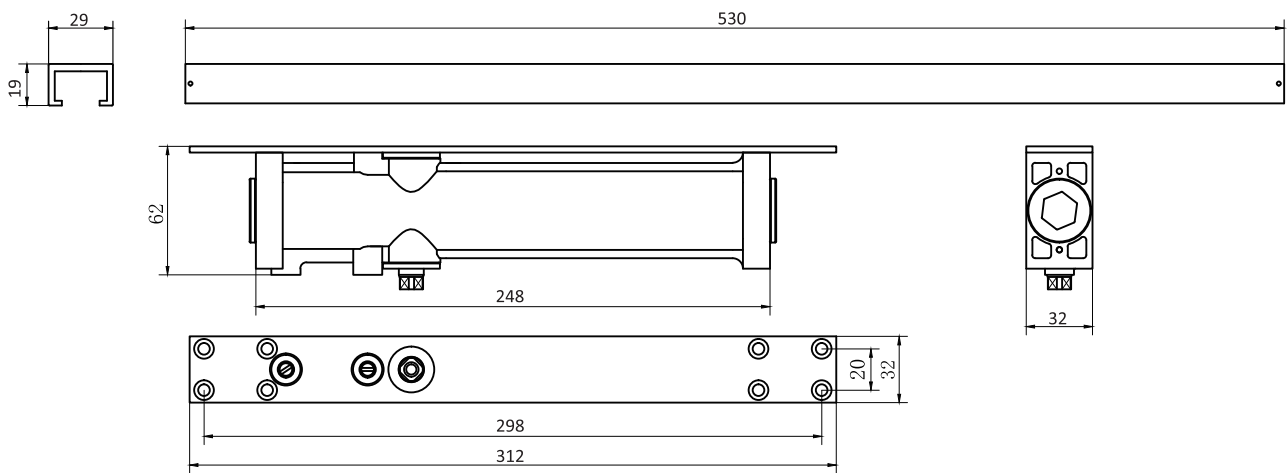
Model:

D30

Light Duty Concealed EN3 Door Closers

PRODUCT DIMENSIONS

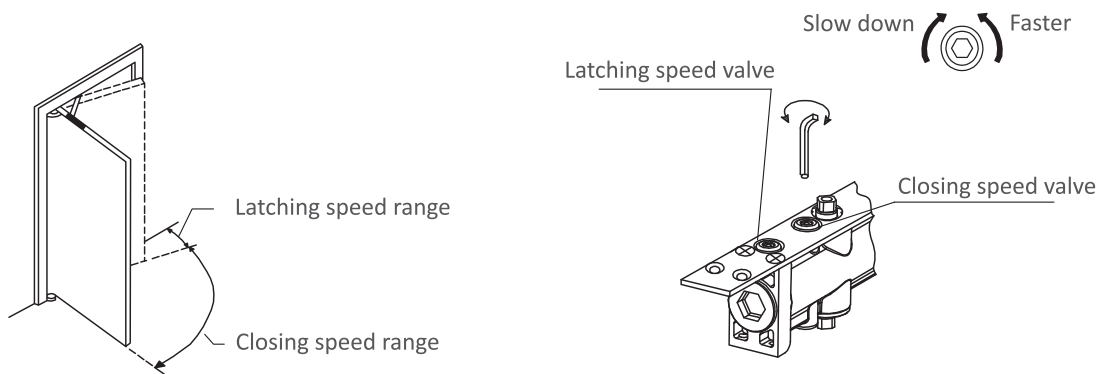
Unit:mm



Note

Installation as per template & installation instruction

 Adjusting speed



Model:

D30S

Light Duty Concealed EN3 Door Closers



PERFORMANCE FEATURES

- For commercial use
- Concealed door closer
- UL228 certification
- UL10C fireproof certification
- Fixed spring force #3
- Precise cast aluminum body
- Hold open function optional
- The product complies with the EN1154 standard



STANDARD FEATURES



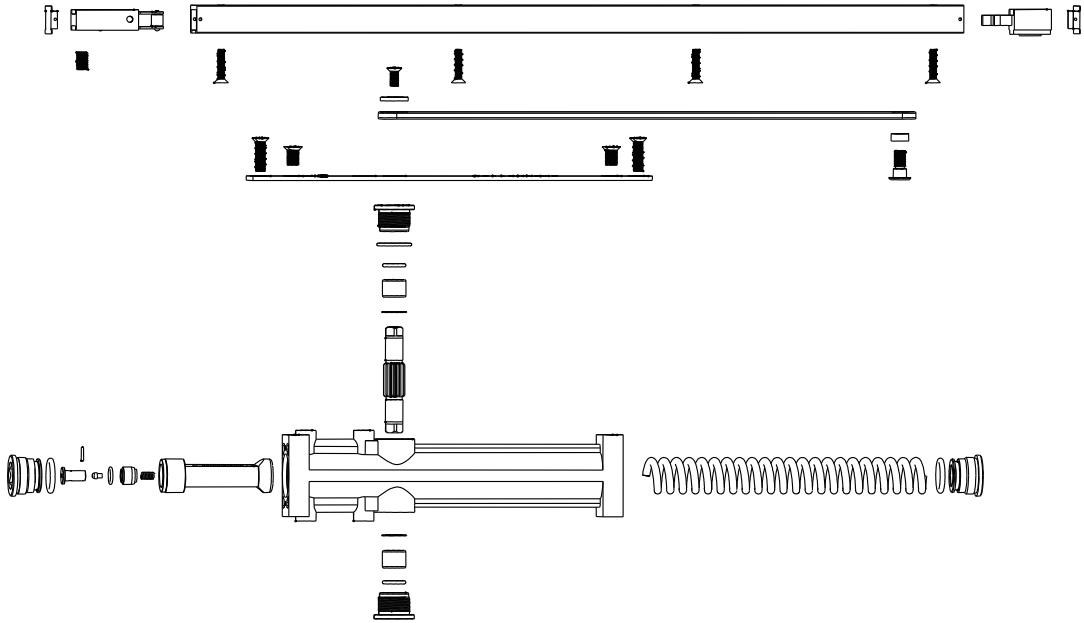
Certification	UL
Spring Power	Fixed EN3
Durability	100,000 cycles above
Speed Valves	Adjustable Closing speed Adjustable Latching speed
Back Check	NO
Hold Open	Optional
Delayed Action	NO
Pressure relief valve	Yes
Mechanism	Rack&Pinion
Hand of door	Non handed
Materials of Body	Die-Cast Aluminum
Materials of guide rail and Main Arm	6061, Steel
Materials of Spring	60Si2Mn
Installation type	Concealed with sliding track arm
Type	Embedded
Max. Opening	130 °
Bearing	Full complement bearings for long durability
Application	Suitable for interior wood, glass door and frames
Finish	Silver, Brown, White,Black, Others upon request
Warranty	2 Years
Door thickness	Wooden door:45mm Metal door:40mm

Concealed/embedded Door Closers

Model:

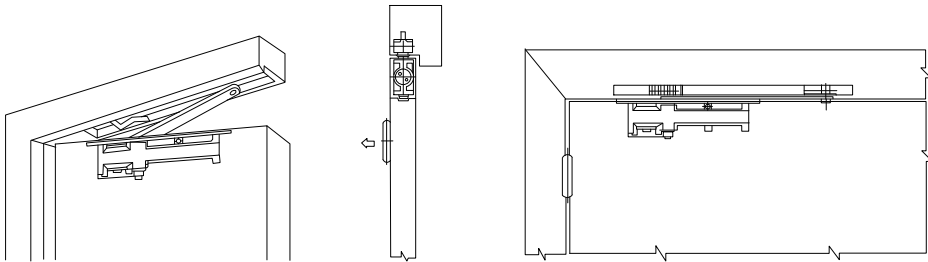
D30S

Light Duty Concealed EN3 Door Closers



AVAILABLE INSTALLATION TYPE

Standard install



Concealed/embedded Door Closers

Model #	D30S
Spring power	3#
Recommended Door Weight	40-65 KGS
Recommended Max. Door Leaf Width (mm)	950 mm
Notes	Slide track arm

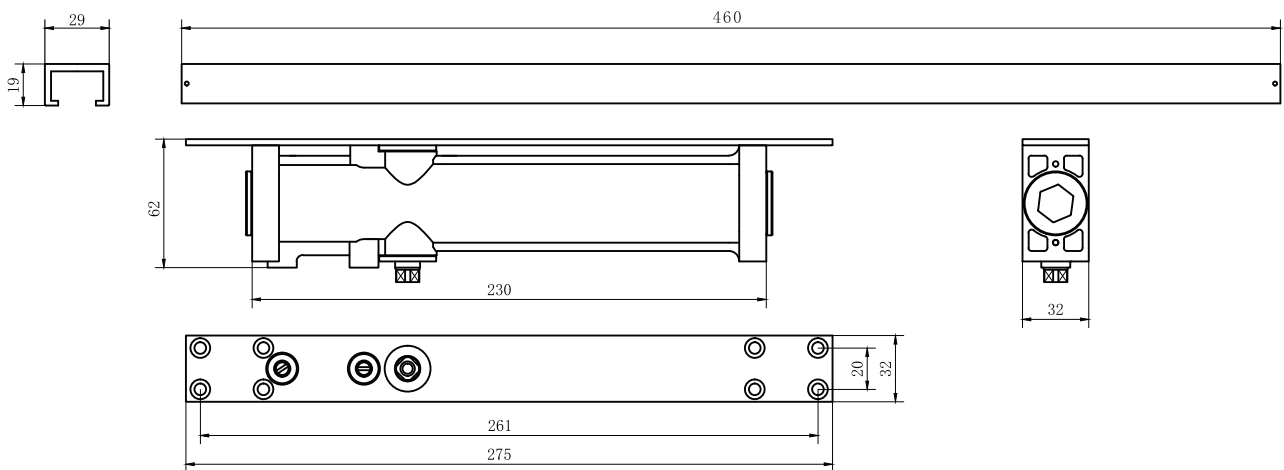
Model:

D30S

Light Duty Concealed EN3 Door Closers

PRODUCT DIMENSIONS

Unit:mm



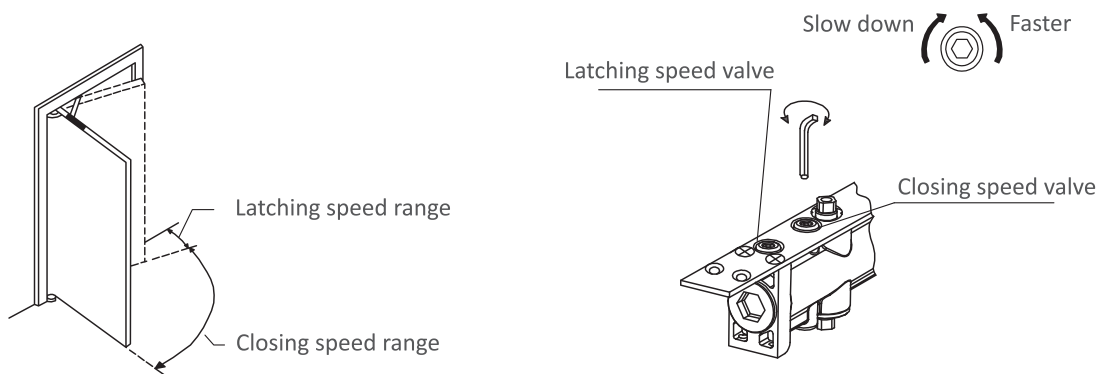
Notes:

- The valves on both sides have been adjusted to the proper location by the factory.
- The two downward valves should be closed down completely (turning to the end clockwise) before your installing the closer inside the door.

Note

Installation as per template & installation instruction

 Adjusting speed



Model:

D20

Light Duty Concealed EN2 Door Closers

PERFORMANCE FEATURES

- Light duty concealed closer
- Designed to meet UL228 standard
- Adjustable closing & latching speed
- Precise cast aluminum body
- Anodized aluminum sliding track arm with optional hold open device
- Slim body with 28mm thickness, Non-Handed installation
- Fixed spring force #2



Accessibility



100 Thousand Cycles



2 Years Warranty

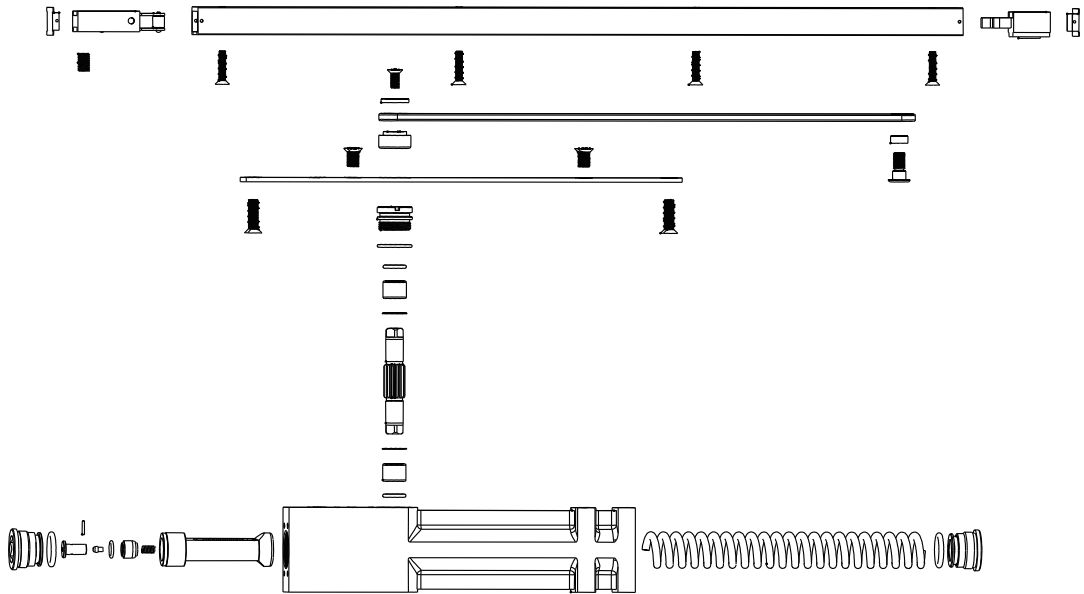
STANDARD FEATURES

Spring Power	Fixed EN2
Durability	100,000 cycles above
Speed Valves	Adjustable Closing speed Adjustable Latching speed
Back Check	NO
Hold Open	Optional
Delayed Action	NO
Pressure relief valve	Yes
Mechanism	Rack&Pinion
Hand of door	Non handed
Materials of Body	Die-Cast Aluminum
Materials of guide rail and Main Arm	6061, Steel
Materials of Spring	60Si2Mn
Installation type	Concealed with sliding track arm
Type	Embedded
Max. Opening	150 °
Bearing	Full complement bearings for long durability
Application	Suitable for interior wood, glass door and frames
Finish	Silver, Brown, White, Black, Others upon request
Warranty	2 Years
Door thickness	Wooden door: 40mm Metal door: 35mm

Model:

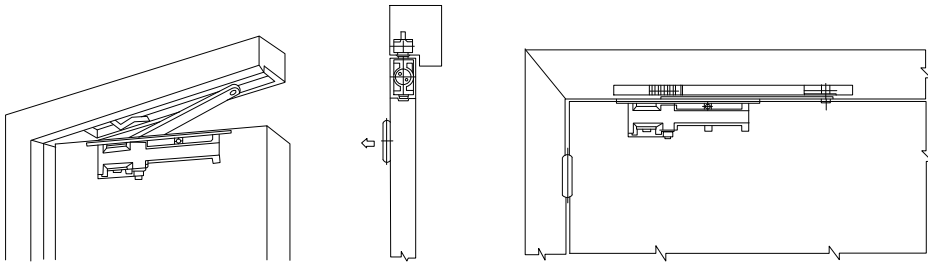
D20

Light Duty Concealed EN2 Door Closers



AVAILABLE INSTALLATION TYPE

Standard install



Model #	D20
Spring power	2#
Recommended Door Weight	25-45KGS
Recommended Max. Door Leaf Width (mm)	850mm
Notes	Slide track arm

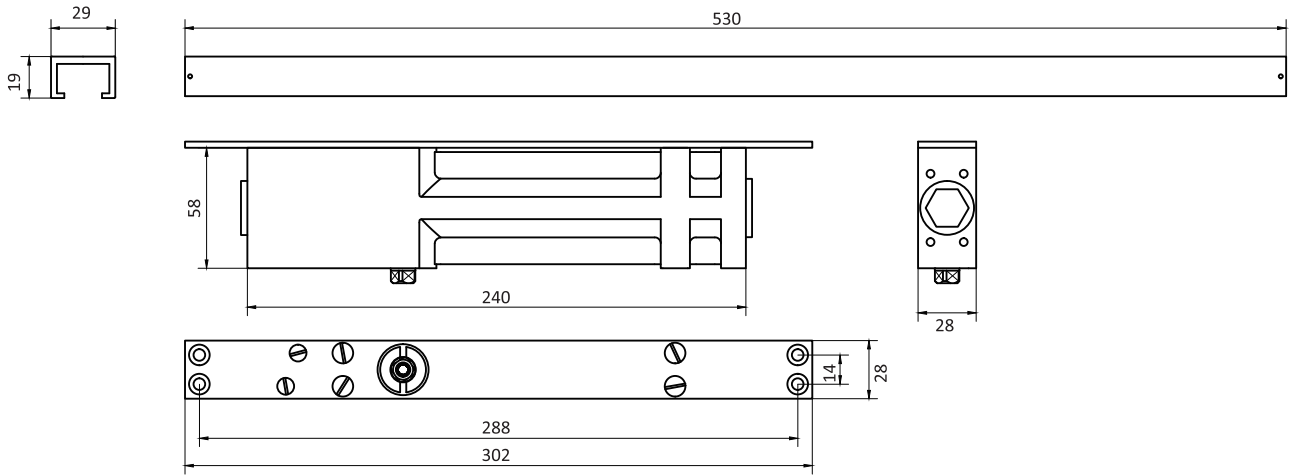
Concealed/embedded Door Closers

Model:

D20
Light Duty Concealed EN2 Door Closers

PRODUCT DIMENSIONS

Unit:mm

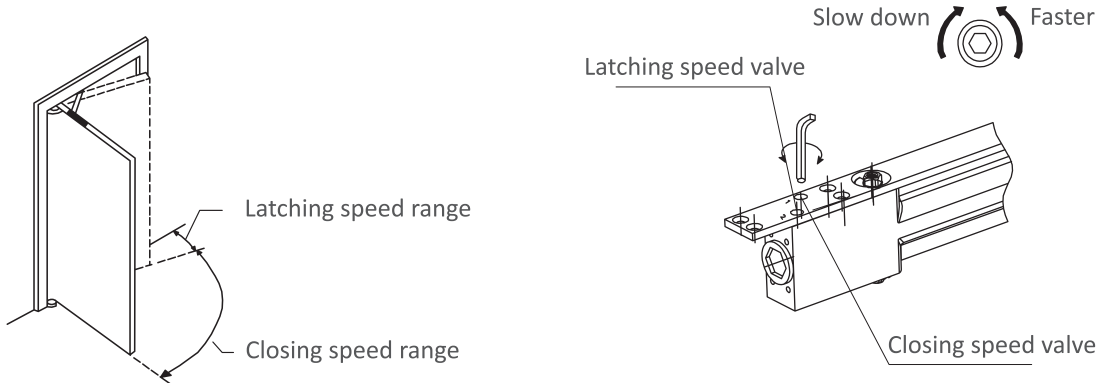


Concealed/embedded Door Closers

Note

Installation as per template & installation instruction

 Adjusting speed



SURFACE MOUNTED DOOR CLOSERS

Regular color:



Custom colors:



Bronze



Brown



Black



Gold



White



Model:

ANSI 156.4 GRADE 1 D9000

More Than 2,000,000 Life Cycles



PERFORMANCE FEATURES

- Traditional america style heavy duty closer for commercial doors
- Precise cast iron body & forged steel arm,hold open arm optional
- Adjustable closing & latching speed
- Adjustable spring force #1-6
- Non-Handed installation
- Adjustable back check,Delayed action & hold open function optional
- ANSI 156.4 certification 2 Millions life cycle
- UL10C certification 3 hours fire rating
- Decorative plastic cover & steel cover optional



STANDARD FEATURES

Certification	BHMA Certified ANSI A156.4 ADA Compliant ANSI A117.1 Accessibility Code UL/cUL Listed for up to 3 hours UL10C Positive Pressure Rated
Spring Power	Adjustable Size 1-6
Durability	2000,000 cycles above
Valves	Adjustable latching and sweep speed valves Adjustable backcheck valve- Standard Delayed action valve- Optional Staked valves- Standard
Material	Cast Iron The recommended temperatures for prolonged closer use is between 40° F (-42° C) and 150° F (66° C)
Cover	Full plastic cover- Standard Plated metal cover- Optional
Spring	Double heat treated steel, tempered springs Precision machined, heat treated steel piston
Arms & Brackets	Tri-Pack- Regular, parallel arm, and top jamb mount- Standard 15% power adjustment in standard arm for regular and top jamb mount
Hand of door	Non handed
Optional Brackets	Regular Arm Mount- Narrow Top Rail Parallel Arm Mount- Narrow Top Rail

Cover

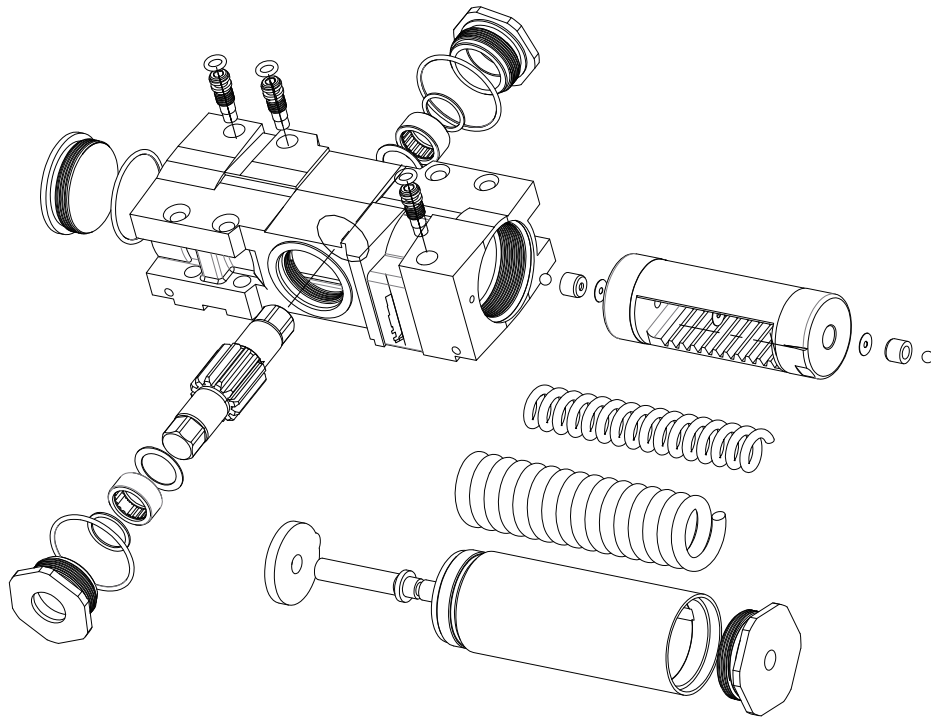


Optional Arms	Hold Open Arm Extra Heavy Duty Cushion Stop Arm Extra Heavy Duty Hold Open Cushion Stop Arm
Fasteners	Self-reaming,self-tapping wood and machine screws Sex nuts and bolts
Door Thickness	1-3/4" (44 mm)-Standard 1-3/8"- 2-1/4" (36 mm- 57 mm)- Optional
Finish	Silver, Brown, White,Black, Others upon request.
Warranty	10 Years
Cross reference	Norton 7500, Dorma 8900, Cal-Royal CR441, Sargent 291, Dor-O-Matic SC70, Corbin Russwin DC3200 and DC6200, Yale 4400

Heavy Duty Door Closers

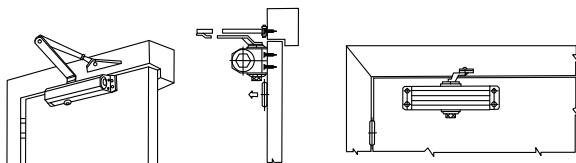
Model:

ANSI 156.4 GRADE 1 D9000
 More Than 2,000,000 Life Cycles

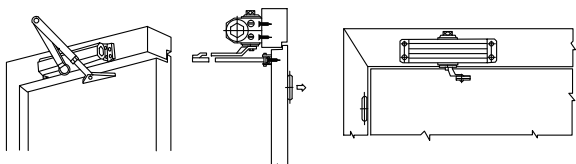


AVAILABLE INSTALLATION TYPE

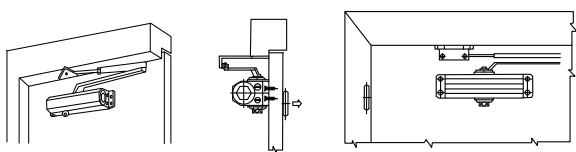
Standard install



Doorcase install



Parallel rocking arm pedestal install



Model #	D9000
Spring power	1-6#
Recommended Door Weight	20-150 KGS
Recommended Max. Door Leaf Width (mm)	1500 mm
Notes	Max 330lbs

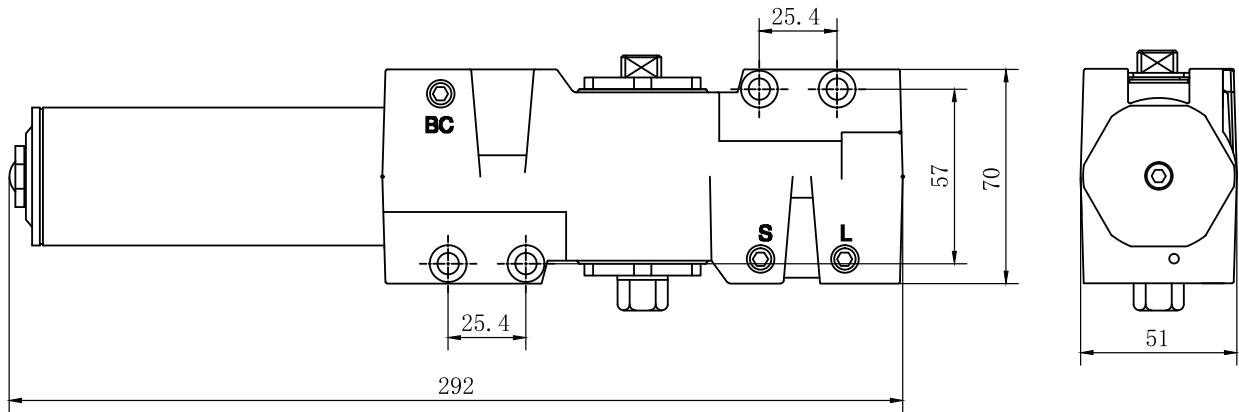
Heavy Duty Door Closers

Model:

ANSI 156.4 GRADE 1 D9000
More Than 2,000,000 Life Cycles

PRODUCT DIMENSIONS

Unit:mm



The D9000 Series is Dorrenhaus’s most durable surface-mounted heavy-duty closer, designed for the most demanding high-use-and-abuse applications. It meets ANSI/BHMA A156.4 Grade 1 standards and ADA reduced opening force requirements. This closer is cUL listed and UL listed for self-closing doors without hold-open and boasts a 10-year limited warranty.

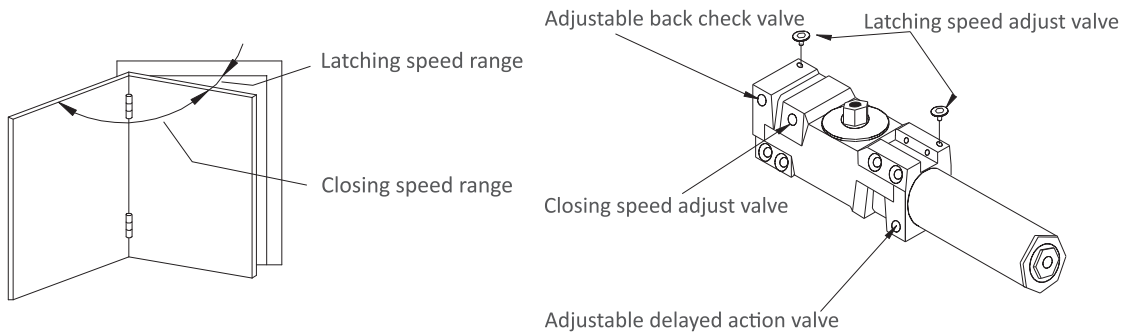
Heavy Duty Door Closers

Note

Installation as per template & installation instruction

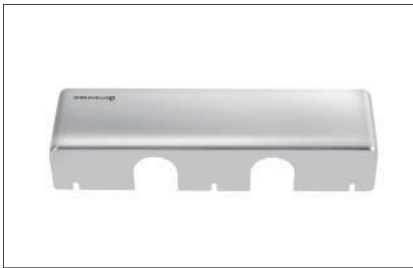
 Adjusting speed

Fast  Slow



Model:

ANSI 156.4 GRADE 1 D9000—Parts And Accessories



Plastic Cover



SSS Cover



35A Drop Plate



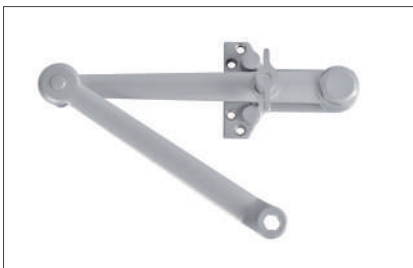
32A Standard Back Plate



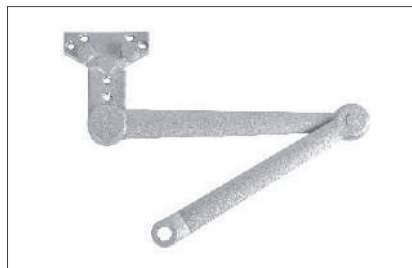
PA Bracket



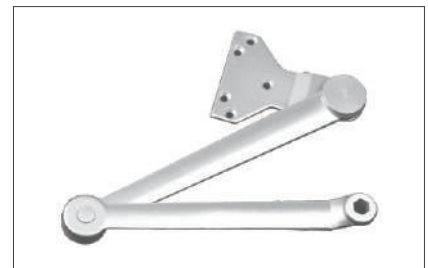
D9000.44 Hold Open Arm



D9000.41 Heavy Duty Hold Open Cushion Stop Arm



D9000.40 Heavy Duty Stop Arm



D9000.42 Heavy Duty Stop Arm

Model:

ANSI 156.4 GRADE 1 D8000

More Than 2,000,000 Life Cycles



PERFORMANCE FEATURES

- Popular america style heavy duty closer for commercial doors
- Precise cast aluminum body & steel arm,hold open arm optional
- Adjustable closing & latching speed
- Adjustable spring force #1-6
- Non-Handed installation
- Adjustable back check,Delayed action & hold open function optional
- ANSI 156.4 certification 2 Millions life cycle
- UL10C certification 3 hours fire rating



STANDARD FEATURES

Certification	BHMA Certified ANSI A156.4 ADA Compliant ANSI A117.1 Accessibility Code UL/cUL Listed for up to 3 hours UL10C Positive Pressure Rated
Spring Power	Adjustable Size 1-6
Durability	2000,000 cycles above
Valves	Adjustable latching and sweep speed valves Adjustable backcheck valve- Standard Delayed action valve- Optional Staked valves- Standard
Material	Aluminum Alloy The recommended temperatures for prolonged closer use is between 40° F (-42° C) and 150° F (66° C)
Cover	Full plastic cover- Standard Slim line plastic cover- Optional Full size plated metal cover- Optional
Spring	Double heat treated steel, tempered springs Precision machined, heat treated steel piston
Arms & Brackets	Tri-Pack- Regular, parallel arm, and top jamb mount- Standard 15% power adjustment in standard arm for regular and top jamb mount
Hand of door	Non handed

Cover

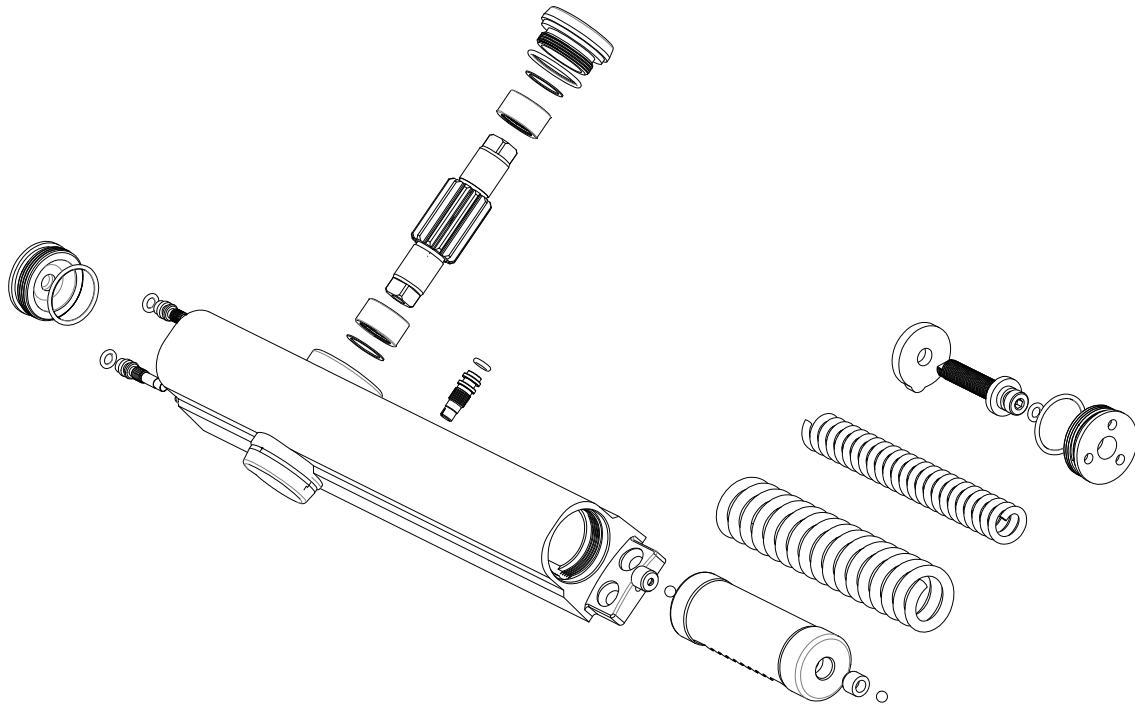


Optional Arms	Hold Open Arm Extra Heavy Duty Cushion Stop Arm Extra Heavy Duty Hold Open Cushion Stop Arm
Fasteners	Self-reaming,self-tapping wood and machine screws Sex nuts and bolts
Door Thickness	1-3/4" (44 mm) 1-3/8" - 2-1/4" (36 mm - 57 mm)- Optional
Finish	Silver, Brown, White,Black, Others upon request.
Warranty	10 Years
Cross reference	Norton 8501,Yale 3301, Corbin-Roswin DC3210, Dorma 8600, Stanley D3551, Arrow 5016N

Model:

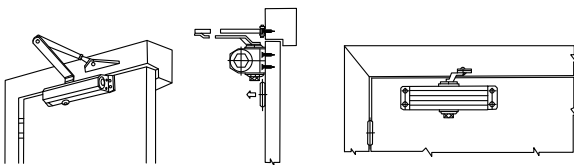
ANSI 156.4 GRADE 1 D8000

More Than 2,000,000 Life Cycles

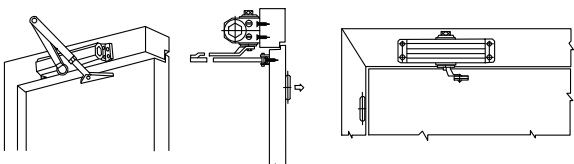


AVAILABLE INSTALLATION TYPE

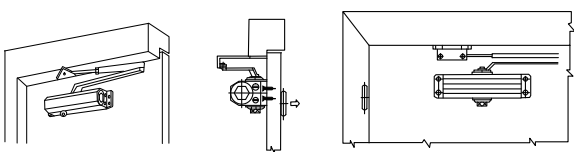
Standard install



Doorcase install



Parallel rocking arm pedestal install



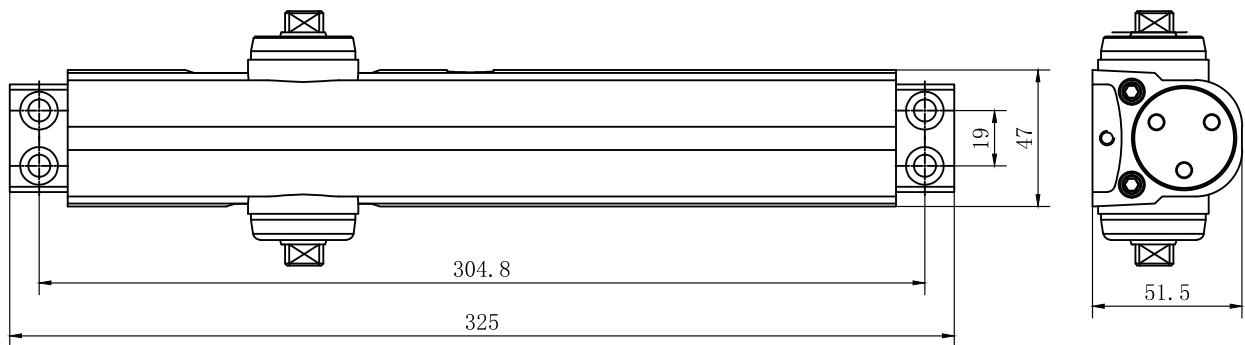
Model #	D8000
Spring power	1-6#
Recommended Door Weight	20-150 KGS
Recommended Max. Door Leaf Width (mm)	1500 mm
Notes	Max 330lbs

Model:

ANSI 156.4 GRADE 1 D8000
 More Than 2,000,000 Life Cycles

PRODUCT DIMENSIONS

Unit:mm

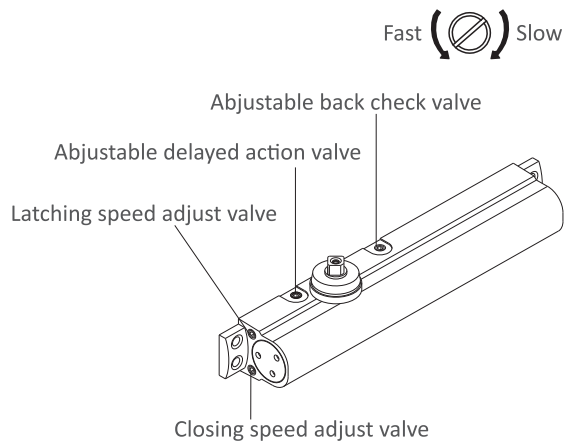
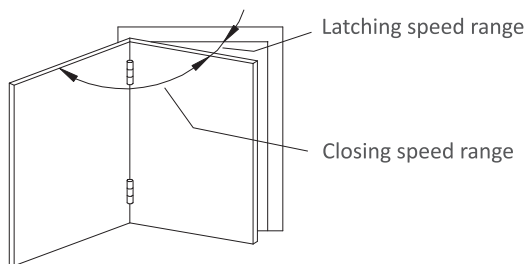


The aesthetically driven design of D8000 makes it a top choice for a range of heavy duty applications; aftermarket replacement, aluminum store fronts and new construction.
 FITS WHERE YOU NEED IT: The surface mount design and tri pack options, allow you to install this over any high-traffic area while providing complete control.

Note

Installation as per template & installation instruction

 Adjusting speed



Model:

ANSI 156.4 GRADE 1 D8000—Parts And Accessories



Plastic Cover



SSS Cover



PA Bracket



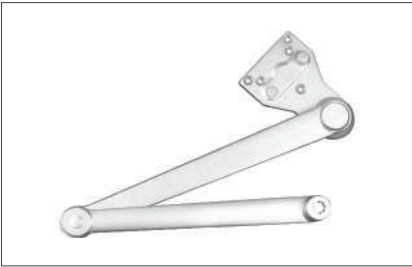
Standard Back Plate



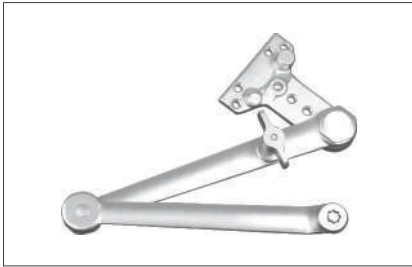
Drop Plate



S325 Hold Open Arm



D8000.40 Heavy Duty Stop Arm



D8000.41 Heavy Duty Hold Open Cushion Stop Arm

Model:

ANSI 156.4 GRADE 1 D4000

More Than 2,000,000 Life Cycles



PERFORMANCE FEATURES

- Traditional america style medium & heavy duty closer for commercial doors
- Precise cast aluminum body & forged steel arm,hold open arm optional
- Adjustable closing & latching speed
- Adjustable spring force #1-6,fixed spring force#5,#6
- Non-Handed installation
- Adjustable back check & hold open function optional
- ANSI 156.4 certification 2 Millions life cycle
- UL10C certification 3 hours fire rating



STANDARD FEATURES

Certification	BHMA Certified ANSI A156.4 ADA Compliant ANSI A117.1 Accessibility Code UL/cUL Listed for up to 3 hours UL10C Positive Pressure Rated
Spring Power	Adjustable spring force #1-6 Fixed spring force#5,#6
Durability	2000,000 cycles above
Valves	Adjustable latching and sweep speed valves Adjustable backcheck valve- Standard Staked valves- Standard
Material	Aluminum Alloy The recommended temperatures for prolonged closer use is between 40° F (-42° C) and 150° F (66° C)
Cover	Full plastic cover- Standard Slim line plastic cover- Optional Full size plated metal cover- Optional
Spring	Double heat treated steel, tempered springs Precision machined, heat treated steel piston
Arms & Brackets	Tri-Pack- Regular, parallel arm, and top jamb mount- Standard 15% power adjustment in standard arm for regular and top jamb mount
Hand of door	Non handed

Cover

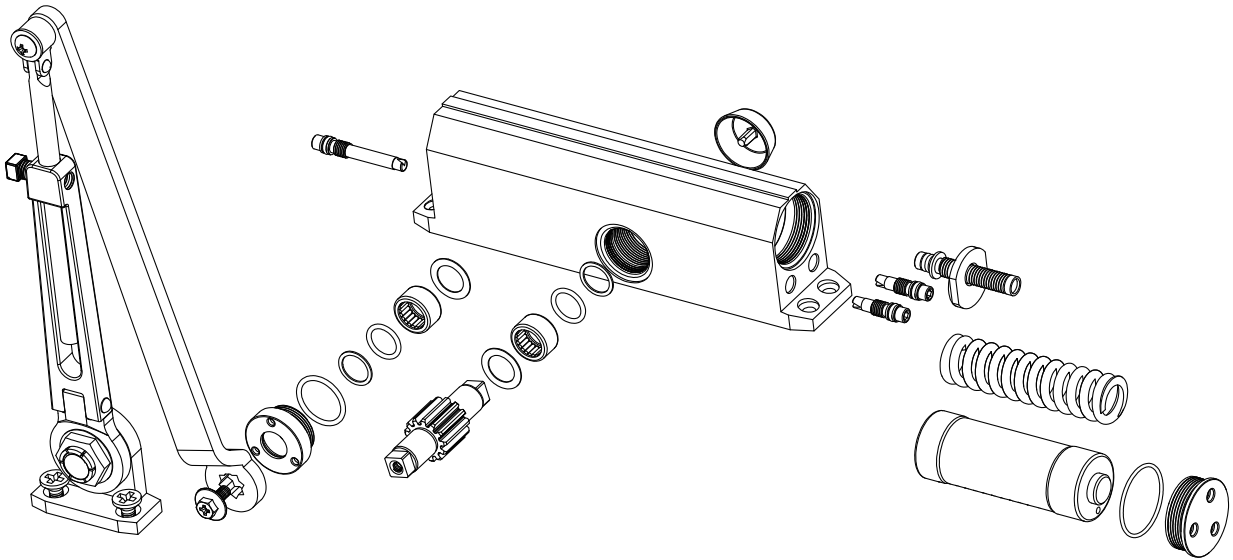


Optional Arms	Hold Open Arm Extra Heavy Duty Cushion Stop Arm Extra Heavy Duty Hold Open Cushion Stop Arm
Fasteners	Self-reaming,self-tapping wood and machine screws Sex nuts and bolts
Door Thickness	1-3/4" (44 mm) 1-3/8"- 2-1/4" (36 mm- 57 mm)- Optional
Finish	Silver, Brown, White,Black, Others upon request.
Warranty	10 Years
Cross reference	Norton 1600 series, Sargent 1130, Dorma 7400 Series, Yale 50BC series, Arrow 900N series, Stanley D1650

Heavy Duty Door Closers

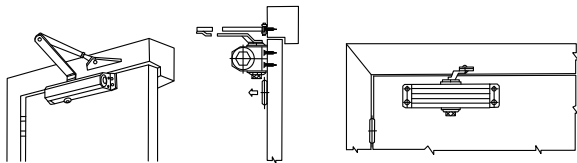
Model:

ANSI 156.4 GRADE 1 D4000
 More Than 2,000,000 Life Cycles

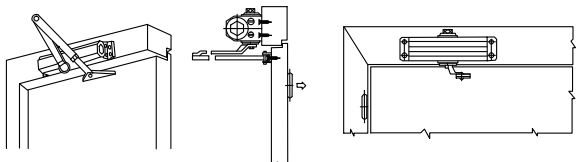


AVAILABLE INSTALLATION TYPE

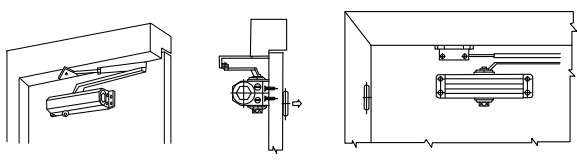
Standard install



Doorcase install



Parallel rocking arm pedestal install



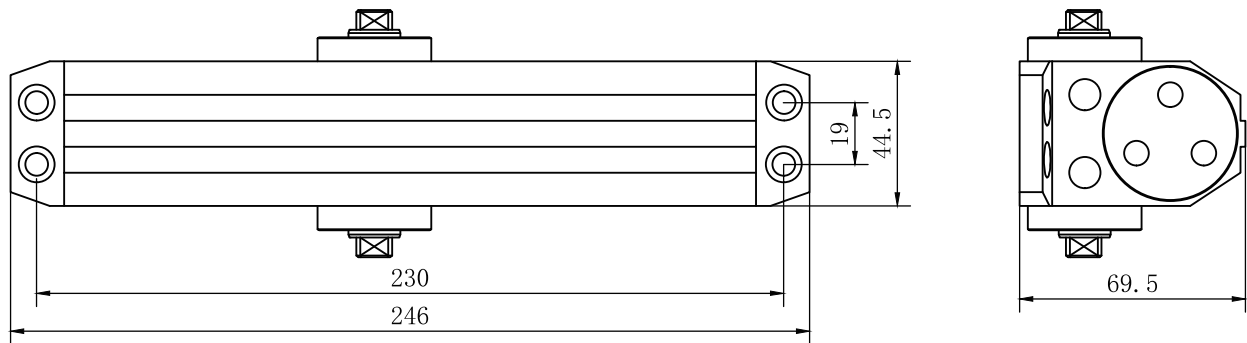
Model #	D4000	D4005	D4006
Spring power	1-6#	5#	6#
Recommended Door Weight	20-150 KGS	120 KGS	150 KGS
Recommended Max. Door Leaf Width (mm)	1500 mm	1200 mm	1500 mm
Notes	Max 330lbs	Max 265lbs	Max 330lbs

Model:

ANSI 156.4 GRADE 1 D4000
 More Than 2,000,000 Life Cycles

PRODUCT DIMENSIONS

Unit:mm



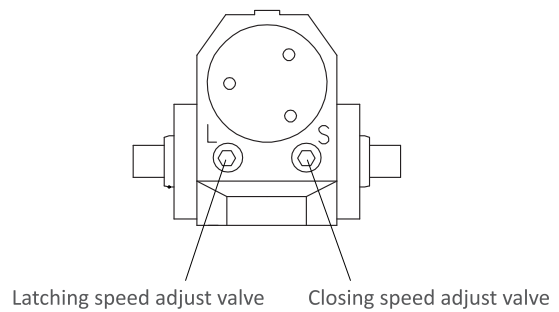
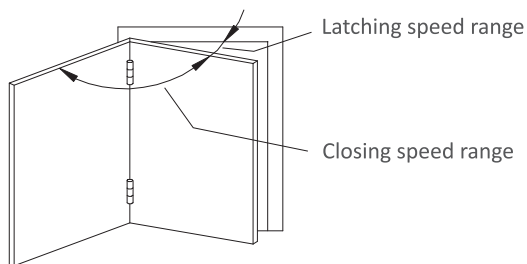
The D4000 Series features a single-piece cast aluminum body and a 1-3/8" heat-treated steel piston, a heat-treated pinion and staked valves. The D4000 Series standard door closer is certified ANSI/BHMA A156.4 Grade 1, is UL listed and is backed by a 10-year warranty.

Note

Installation as per template & installation instruction

 Adjusting speed

Fast  Slow



Model:

ANSI 156.4 GRADE 1 D4000—Parts And Accessories



Plastic Cover



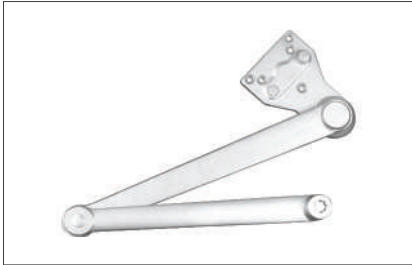
SSS Cover



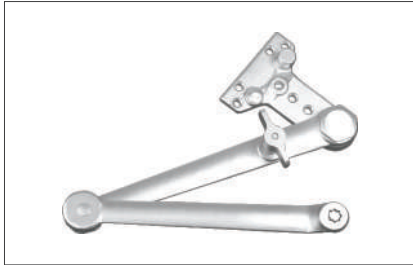
PA Bracket



Standard Back Plate



D4000.40 Heavy Duty Stop Arm



D4000.41 Heavy Duty Hold Open Cushion Stop Arm

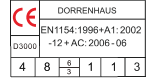


S325 Hold Open Arm

Model:

D3000S

Overhead Adjustable Size 3-6 Door Closers



PERFORMANCE FEATURES

- For commercial use
- The product complies with the EN1154 standard design
- Adjustable closing & latching speed
- Adjustable spring force #3-6
- Max opening angle 180°
- Adjustable back check, Delayed action function optional, Sliding track arm optional
- BS EN 1634 certification 2 hours fire rating

STANDARD FEATURES

Certification	CE
Spring Power	Adjustable Size 3-6#
Durability	500,000 cycles above
Speed Valves	Adjustable Closing speed Adjustable Latching speed
Back Check	Yes
Hold Open	Optional
Delayed Action	Optional
Fitting Application	Fig1, Fig66, Fig61, Figure 66 achieved by separate parallel arm bracket offered as optional accessory
EN1154 Classification	4 8 3/6 1 1 3 (Fig1, Fig61) 4 8 2/4 1 1 3 (Fig66)
Materials of Body	Die-cast Aluminum
Tested to EN1154	Yes
Arm type	Standard or Flat
Max. Opening	180 ° (Fig1, Fig66, Fig61)

Accessories

PA Bracket



Cover

SSS Cover



Accessibility



500 THOUSAND Cycles



2 Years Warranty



2 Hours Fire-rated

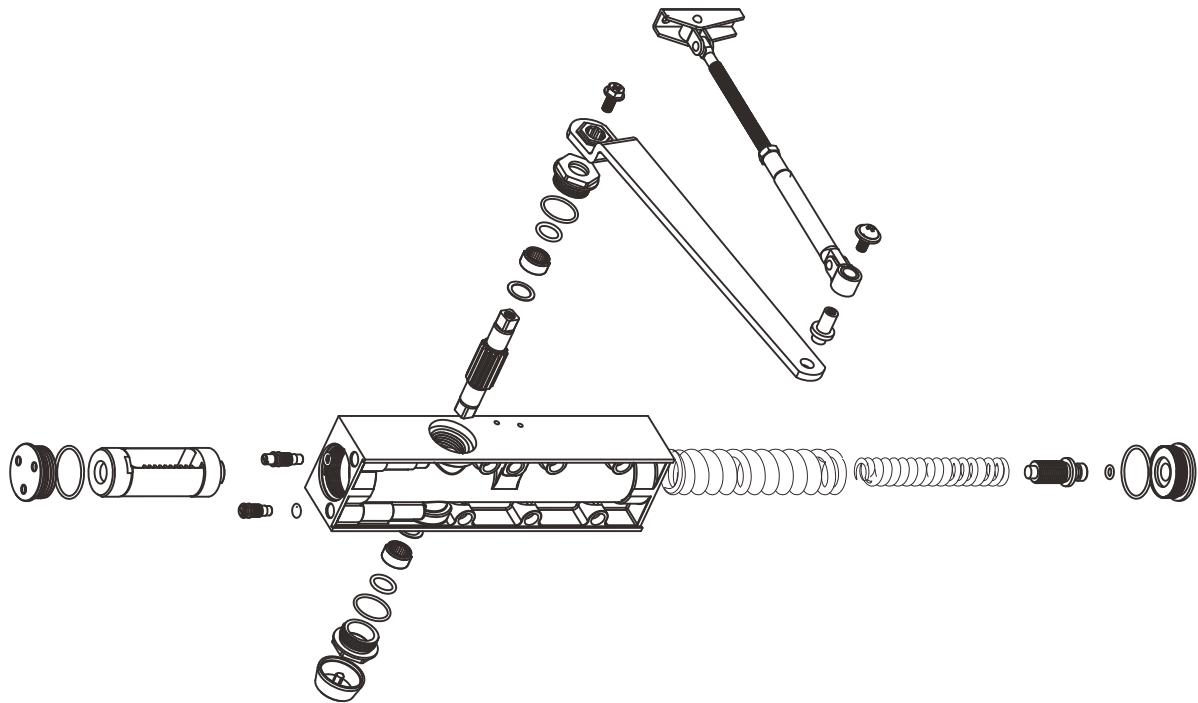
Mechanism	Rack & Pinion
Tested to EN1634	Yes
CE Marked	Yes
Application	Suitable for interior wood, hollow metal, and aluminum doors and frames
Door width (max.)	1500mm
Door weight (max.)	150KGS
Finish	Silver, Brown, White, Black, Others upon request
Warranty	2 Years
Cross reference	Dorma TS83

Heavy Duty Door Closers

Model:

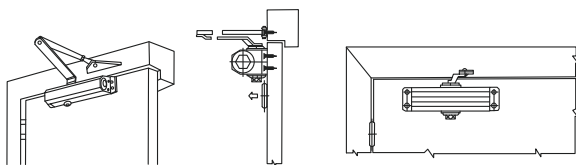
D3000S

Overhead Adjustable Size3-6 Door Closers

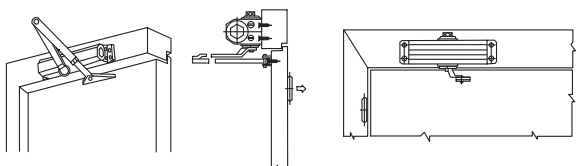


AVAILABLE INSTALLATION TYPE

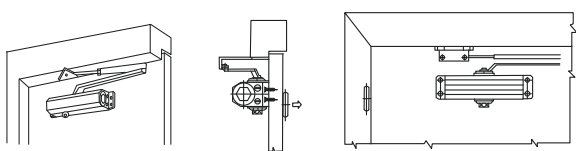
Standard install



Doorcase install



Parallel rocking arm pedestal install



Model #	D3000S
Spring power	3-6#
Recommended Door Weight	60-150KGS
Recommended Max. Door Leaf Width (mm)	950-1500 mm
Notes	Sliding track arm optional

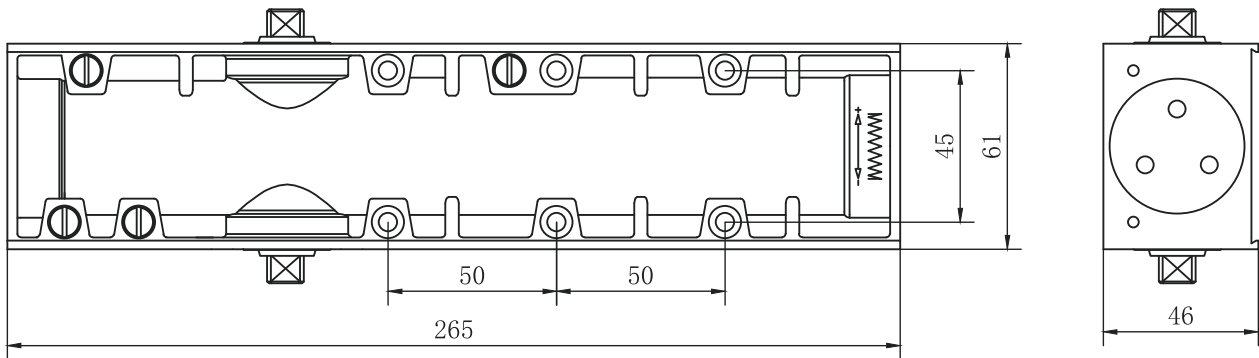
Model:

D3000S

Overhead Adjustable Size3-6 Door Closers

PRODUCT DIMENSIONS

Unit:mm



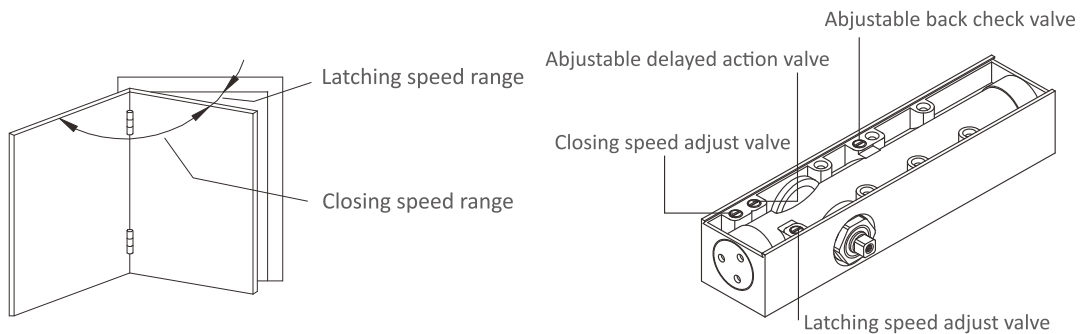
Control and protection of the door.
 The closing speed and final latch action adjustment valves ensure accurate control of the door's performance.
 The version with hold open arm is suitable when the door needs to be kept in a certain position in total safety.
 The versions supplied with the backcheck function protect the structure of the door if it is used improperly.

Note

Installation as per template & installation instruction

 Adjusting speed

Fast  Slow





Model:

D8024S

Overhead Size 2-4 Door Closers-CE Marked

PERFORMANCE FEATURES

- Popular european style medium duty closer for commercial doors
- Precise cast aluminum body & steel arm
- Adjustable closing & latching speed
- Adjustable spring force #2-4
- Non-Handed installation
- Adjustable back check,Delayed action & hold open function optional



Cover
SSS Cover



STANDARD FEATURES

Certification	CE
Tested to EN1634	WF Assessment Report No.:502523 WF Test Report No.:503361/R
Spring Power	Adjustable Size 2-4#
Durability	500,000 cycles above
Speed Valves	Adjustable Closing speed Adjustable Latching speed
Hold Open	Optional
Back Check	Yes
Delayed Action	Optional
Installation type	Regular,Top Jamb,Parallel
Max. Opening	130 °
Max.Door Weight	100KGS
Max.Door Width	1100mm
Pressure relief valve	Yes
Mechanism	Rack & Pinion
Hand of door	Non handed



Accessibility



500 Thousand Cycles



2 Years Warranty



2 Hours Fire-rated

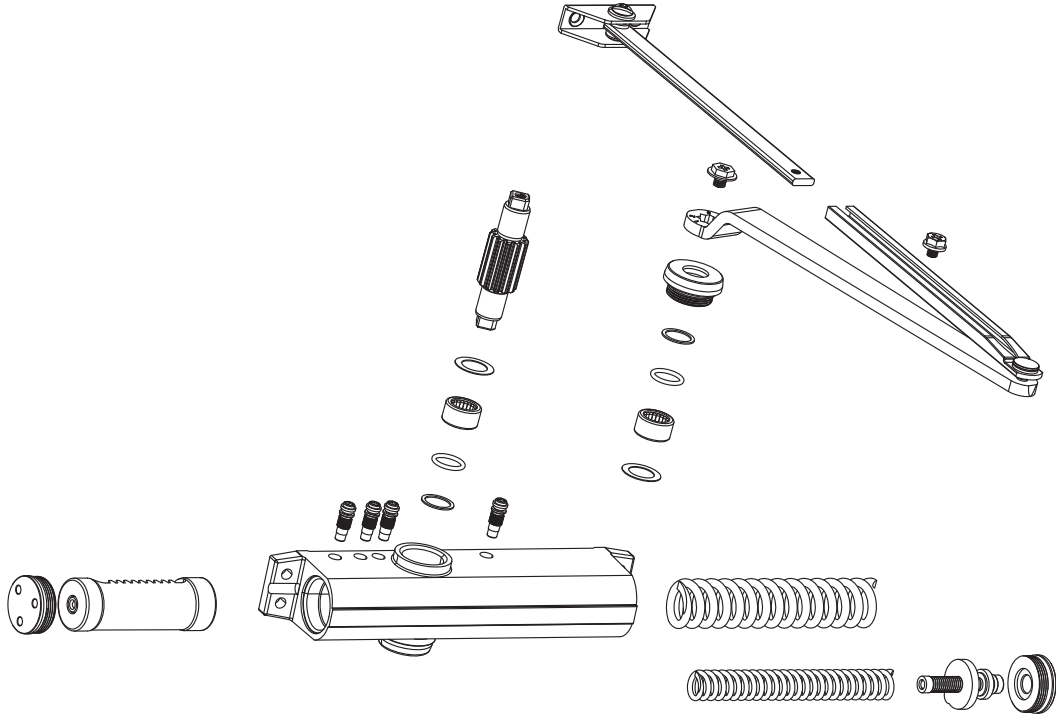
Materials of Body	Die-cast Aluminum
Materials of Spring	60Si2Mn
Bearing	Full complement bearings for long durability
Application	Suitable for interior wood, hollow metal, and aluminum doors and frames
Finish	Silver, Brown, White,Black, Others upon request
Warranty	2 Years
Cross reference	Dorma 7300

Medium Duty Door Closers

Model:

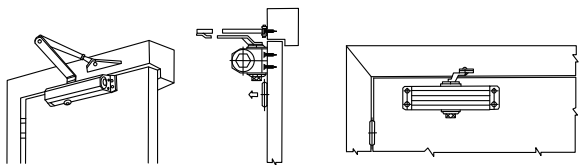
D8024S

Overhead Size 2-4 Door Closers-CE Marked

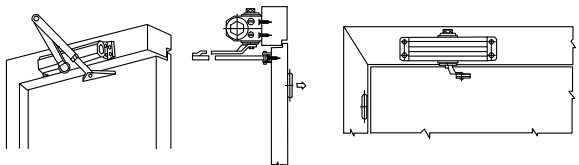


AVAILABLE INSTALLATION TYPE

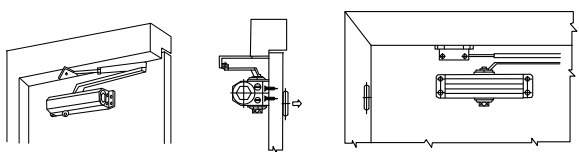
Standard install



Doorcase install



Parallel rocking arm pedestal install



Model #	D8024S
Spring power	2-4#
Recommended Door Weight	20-100 KGS
Recommended Max. Door Leaf Width (mm)	1100 mm

Medium Duty Door Closers

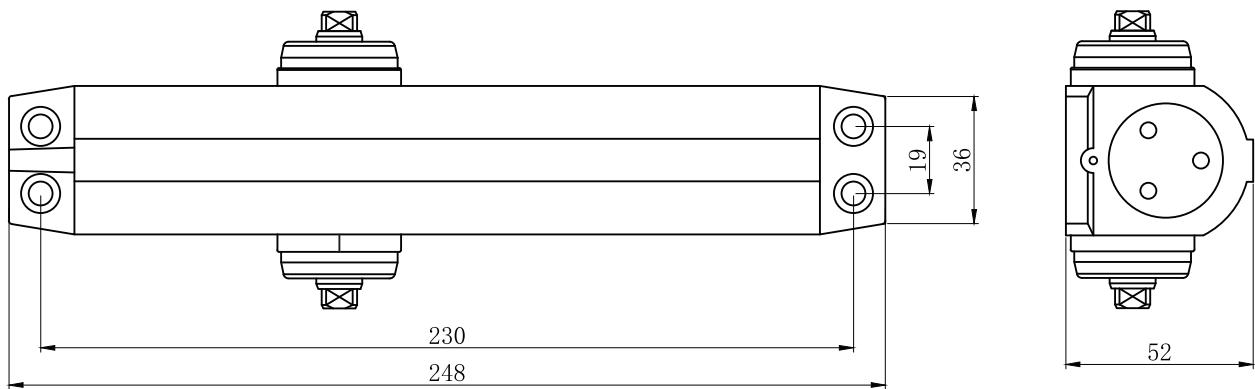
Model:

D8024S

Overhead Size 2-4 Door Closers-CE Marked

PRODUCT DIMENSIONS

Unit:mm

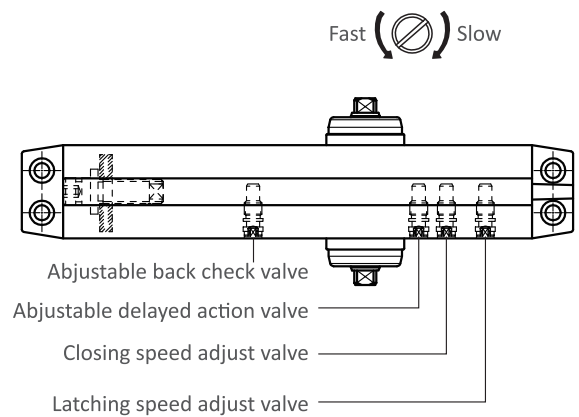
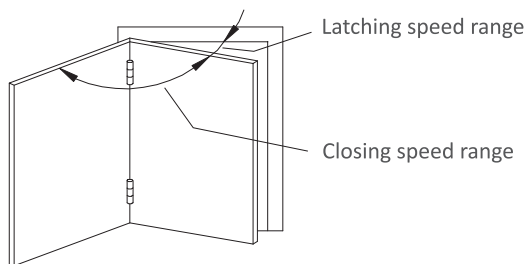


Control and protection of the door.
 The closing speed and final latch action adjustment valves ensure accurate control of the door's performance.
 The version with hold open arm is suitable when the door needs to be kept in a certain position in total safety.
 The versions supplied with the backcheck function protect the structure of the door if it is used improperly.

Note

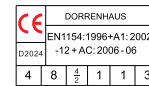
Installation as per template & installation instruction

 Adjusting speed



Model:

D2024/D2025/D2004/D2005 Overhead Door Closers-CE marked



PERFORMANCE FEATURES

- European style designed medium duty closer for commercial doors
- Precise cast aluminum body & steel arm,sliding track arm optional
- Adjustable closing & latching speed
- Adjustable back check,hold open function optional
- Max opening angle 180°
- Non-Handed installation
- Fixed spring force #4 & #5,Adjustable spring force #2-4& #2-5
- BS EN 1154 certification 500,000 life cycles
- BS EN 1634 certification 2 hours fire rating



Arc shaped

STANDARD FEATURES

Certification	CE
Spring Power	Fixed EN #4 & #5, Adjustable EN#2-4& #2-5
Durability	500,000 cycles above
Speed Valves	Adjustable Closing speed Adjustable Latching speed
Delayed Action	NO
Back Check	Optional
Hold Open	Optional
Arm type	Standard or Flat
Max. Opening	180 °(Fig1,Fig66,Fig61)
Fitting Application	Fig1,Fig66,Fig61,Figure 66 achieved by separate parallel arm bracket offered as optional accessory
Mechanism	Rack & Pinion
Materials of Body	Die-cast Aluminum
Materials of Arm	Steel
Tested to EN1154	Report NO.WIL433078

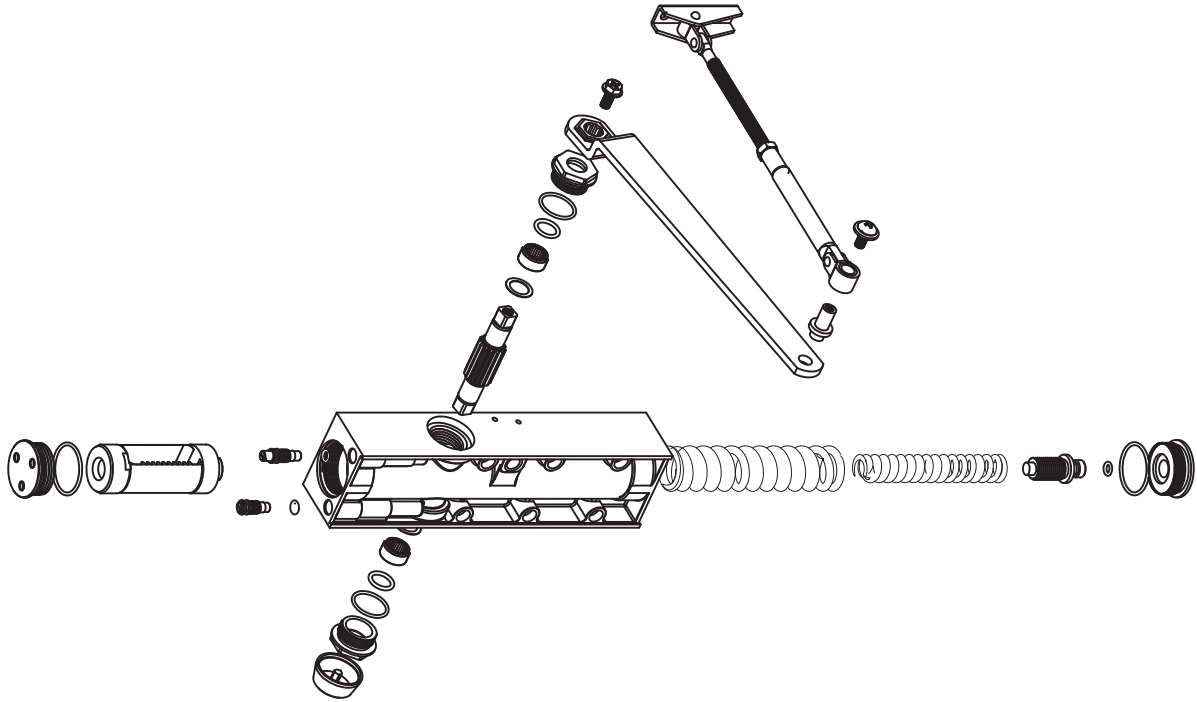
Square shaped



Tested to EN1634	WF report NO.502521
CE Marked	CERTIFIRE Certificate NO.CF5800
Application	Suitable for wooden door, metal door, and fire rated door
Door width (max.)	1250mm
Door weight (max.)	120KGS
Finish	Silver, Brown, White,Black, Others upon request
Warranty	2 Years

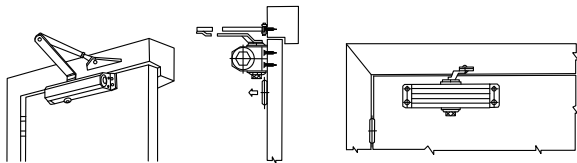
Model:

D2024/D2025/D2004/D2005
Overhead Door Closers-CE marked

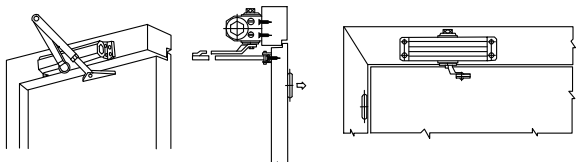


AVAILABLE INSTALLATION TYPE

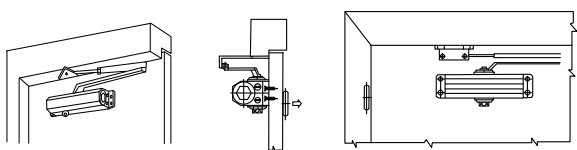
Standard install



Doorcase install



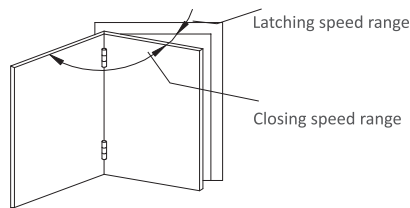
Parallel rocking arm pedestal install



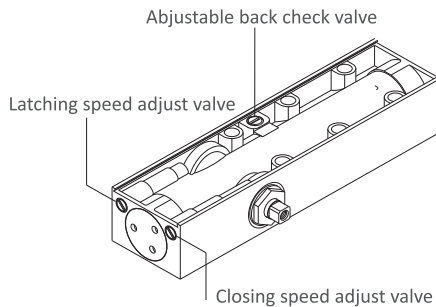
Note

Installation as per template & installation instruction

 Adjusting speed



Fast  Slow

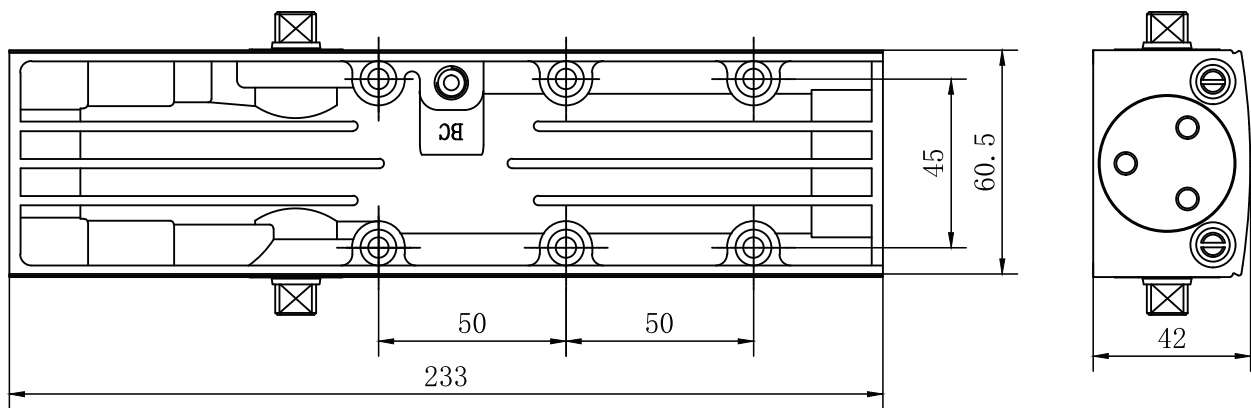


Model:

D2024/D2025/D2004/D2005 Overhead Door Closers-CE marked

PRODUCT DIMENSIONS

Unit:mm



Control and protection of the door.

The closing speed and final latch action adjustment valves ensure accurate control of the door's performance.

The version with hold open arm is suitable when the door needs to be kept in a certain position in total safety.

The versions supplied with the backcheck function protect the structure of the door if it is used improperly.

Model #	D2024	D2025	D2004	D2005
Spring power	2-4#	2-5#	4#	5#
Recommended Door Weight	25-85 KGS	25-120 KGS	60-85 KGS	80-120 KGS
Recommended Max. Door Leaf Width (mm)	850-1100 mm	850-1250mm	1100 mm	1250mm
Notes	Sliding track arm optional	Sliding track arm optional	Sliding track arm optional	Sliding track arm optional

Model:

D2024/D2025/D2004/D2005—Parts And Accessories



SSS Cover



PA Bracket



Flat Arm



DTWB Hold Open Arm



Model:

D1024

Adjustable EN2-4 Overhead Door Closers

PERFORMANCE FEATURES

- For commercial use
- Max opening angle 130°
- Adjustable spring force #2-4
- Adjustable back check function optional, Sliding track arm optional
- The product complies with the EN1154 standard design



Accessories

PA Bracket



STANDARD FEATURES

Certification	CE
Tested to EN1634	WF Assessment Report No.:502523 WF Test Report No.:503361/R
Spring Power	Adjustable 2-4#
Durability	500,000 cycles above
Speed Valves	Adjustable Closing speed Adjustable Latching speed
Back Check	Optional
Hold Open	Optional
Delayed Action	NO
Installation type	Door leaf installation, Top Jamb installation, Parallel arm installation
Max. Opening	130 °
Suitability for fire protection doors	Yes
Mechanism	Rack & Pinion
Hand of door	Non handed

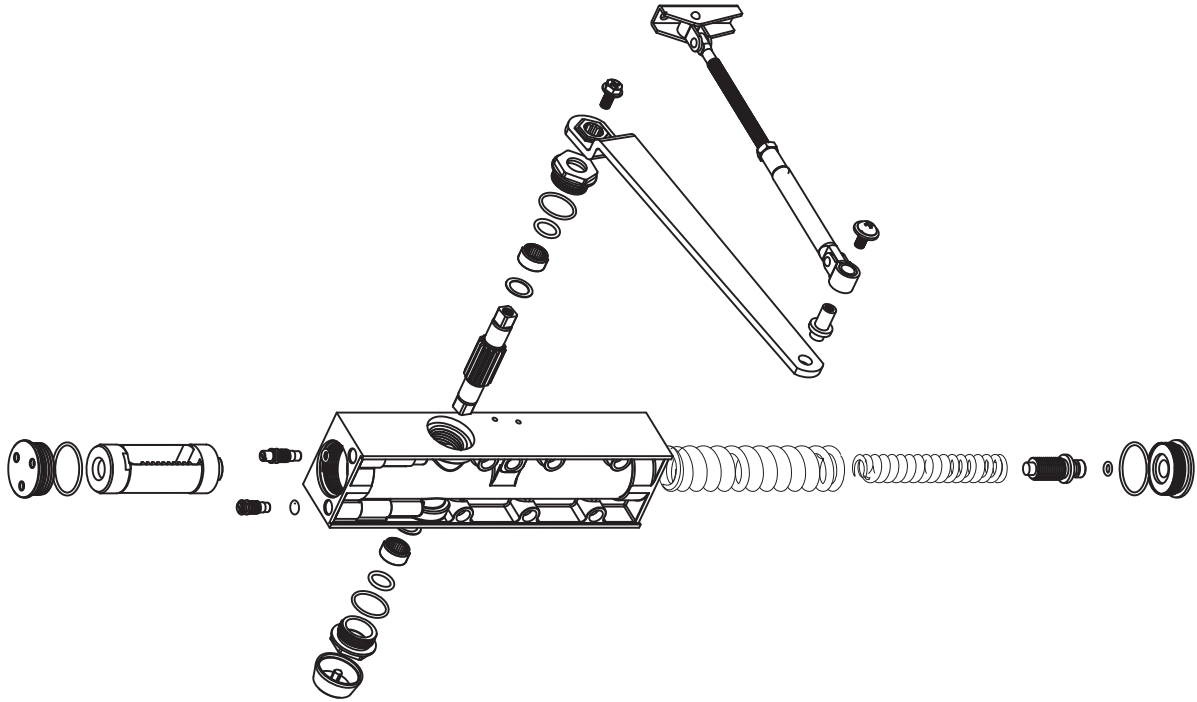


Materials of Body	Die-cast Aluminum
Materials of Arm	Steel
Product Description	Closing speed can be individually adjusted Hydraulic latching action which accelerates the door shortly before it is closed
Application	Suitable for wooden door, metal door, and fire rated door
Leaf width (max.)	1100mm
Leaf weight (max.)	85KGS
Finish	Silver, Brown, White, Black, Others upon request
Warranty	2 Years

Model:

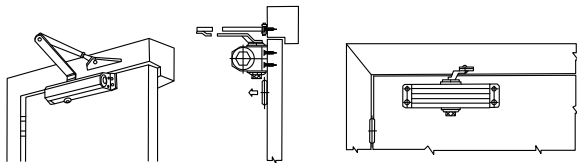
D1024

Adjustable EN2-4 Overhead Door Closers

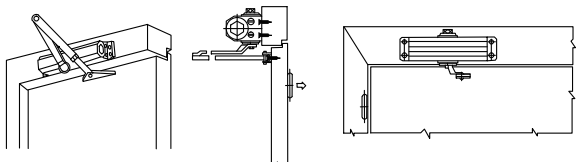


AVAILABLE INSTALLATION TYPE

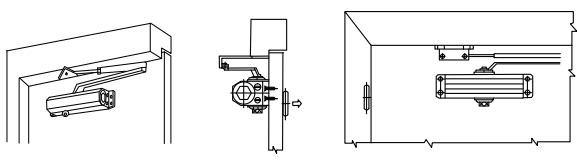
Standard install



Doorcase install



Parallel rocking arm pedestal install



Model #	D1024
Spring power	2-4#
Recommended Door Weight	20-85KGS
Recommended Max. Door Leaf Width (mm)	850-1100mm
Notes	Sliding track arm optional

Medium Duty Door Closers

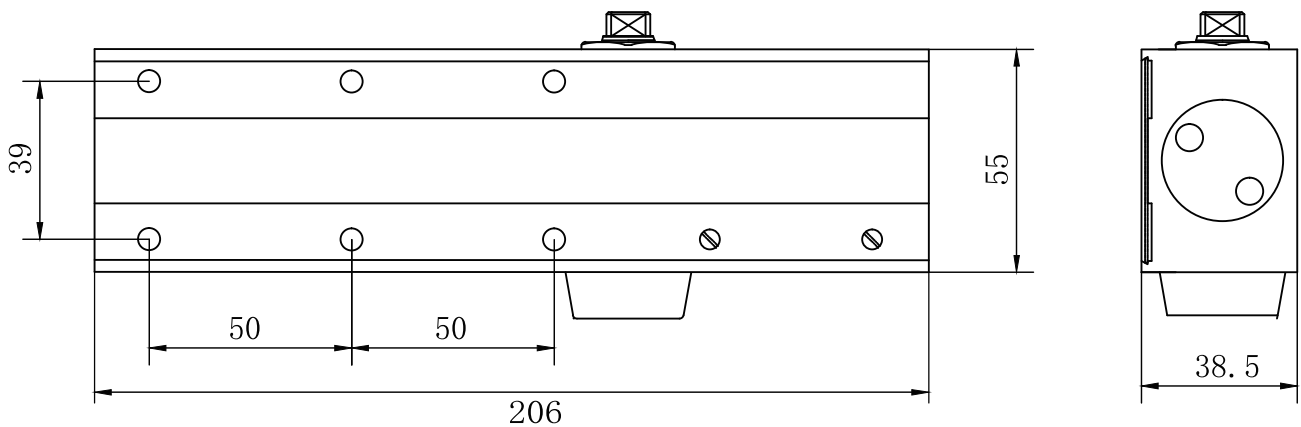
Model:

D1024

Adjustable EN2-4 Overhead Door Closers

PRODUCT DIMENSIONS

Unit:mm



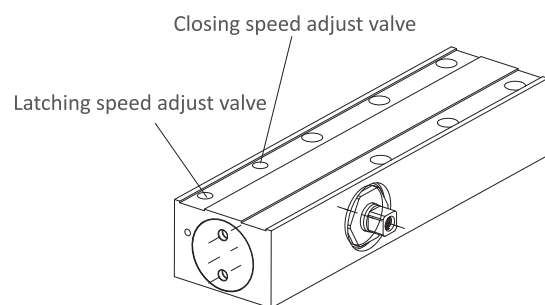
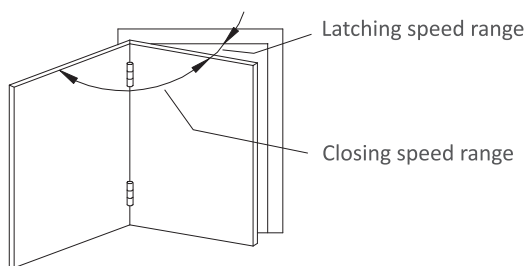
Control and protection of the door.
 The closing speed and final latch action adjustment valves ensure accurate control of the door's performance.
 The version with hold open arm is suitable when the door needs to be kept in a certain position in total safety.
 The versions supplied with the backcheck function protect the structure of the door if it is used improperly.

Note

Installation as per template & installation instruction

 Adjusting speed

Fast  Slow



Model:

D903

EN3 Overhead Door Closers With Link Arm

DORRENHAUS	
CE	EN1154:1996+A1:2002
D903	-12+AC:2006-06
4	8 3 1 1 3



PERFORMANCE FEATURES

- European style designed for residential and commercial doors
- Precise cast aluminum body & steel arm, sliding track arm optional
- Adjustable closing & latching speed
- Hold open function optional
- Max opening angle 180°
- Non-Handed installation
- Fixed spring force # 3
- BS EN 1154 certification 500,000 life cycles
- BS EN 1634 certification 2 hours fire rating

Accessories

Hold Open Arm

PA Bracket



STANDARD FEATURES

Certification	CE
Spring Power	EN 3
Durability	500,000 cycles above
Speed Valves	Adjustable Closing speed Adjustable Latching speed
Back Check	NO
Hold Open	Optional
Delayed Action	NO
Mechanism	Rack & Pinion
Hand of door	Non handed
Materials of Body	Die-cast Aluminum
Materials of Arm	Steel
Installation type	Door leaf installation, Top Jamb installation, Parallel arm installation
Suitability for fire protection doors	Yes



Accessibility



500 Thousand Cycles



2 Years Warranty



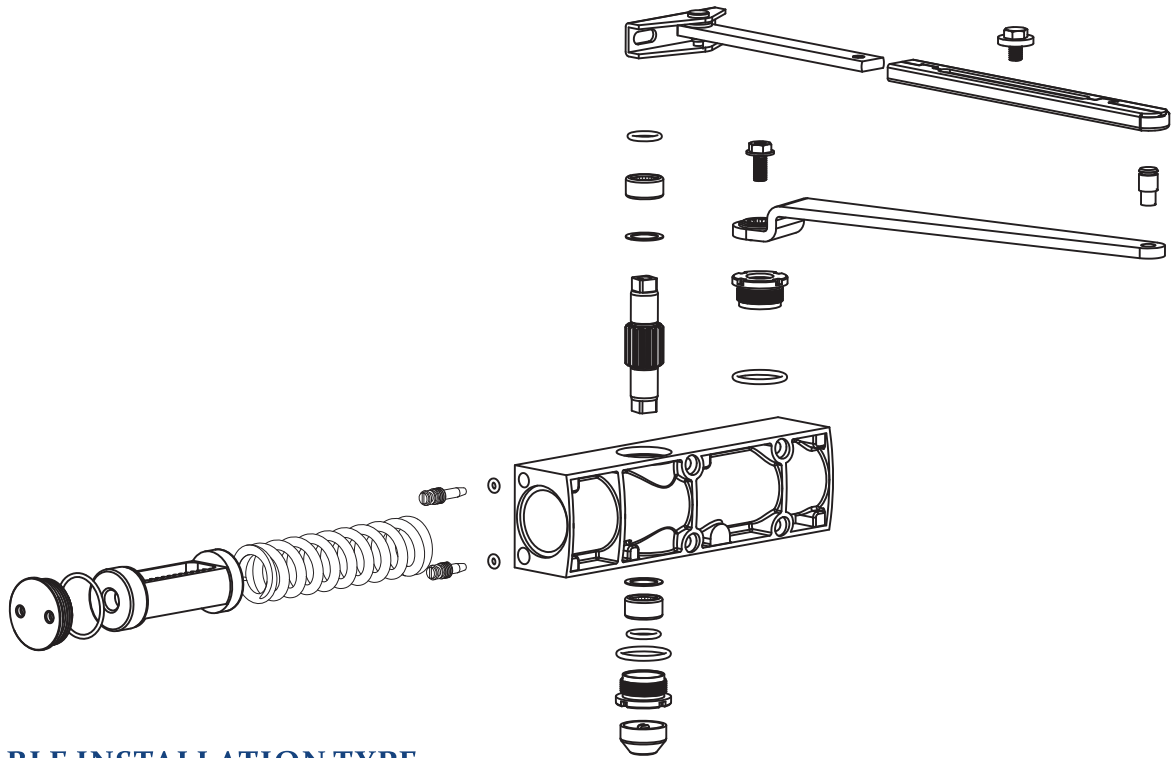
2 Hours Fire-rated

Max. Opening	180 °
Product Description	Closing speed can be individually adjusted Hydraulic latching action which accelerates the door shortly before it is closed
Application	Suitable for wooden door, metal door, and fire rated door
Leaf width (max.)	850mm
Leaf weight (max.)	25-45KGS
Finish	Silver, Brown, White, Black, Others upon request
Warranty	2 Years

Model:

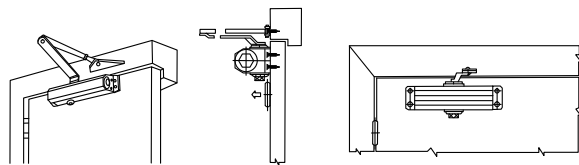
D903

EN3 Overhead Door Closers With Link Arm

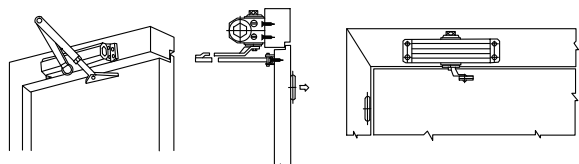


AVAILABLE INSTALLATION TYPE

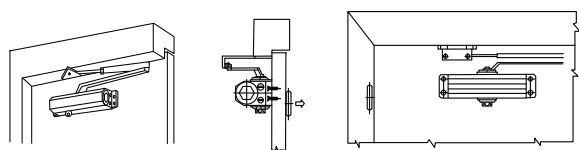
Standard install



Doorcase install



Parallel rocking arm pedestal install



Model #	D903
Spring power	3#
Recommended Door Weight	25-45 KGS
Recommended Max. Door Leaf Width (mm)	850 mm
Notes	Sliding track arm optional

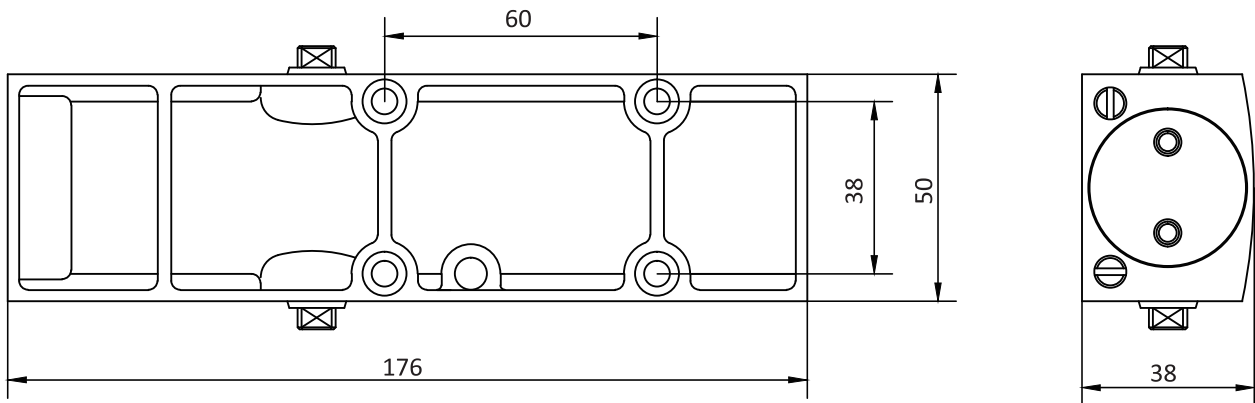
Model:

D903

EN3 Overhead Door Closers With Link Arm

PRODUCT DIMENSIONS

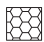
Unit:mm



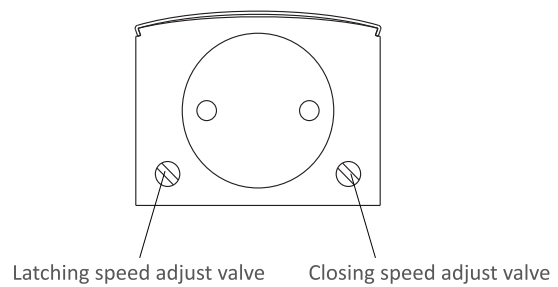
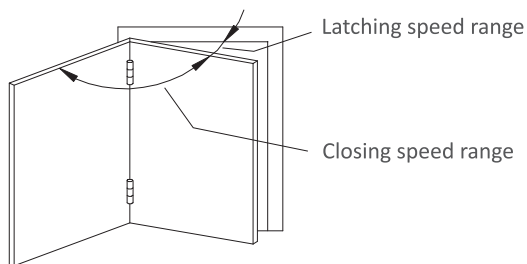
Control and protection of the door.
 The closing speed and final latch action adjustment valves ensure accurate control of the door's performance.
 The version with hold open arm is suitable when the door needs to be kept in a certain position in total safety.
 The versions supplied with the backcheck function protect the structure of the door if it is used improperly.

Note

Installation as per template & installation instruction

 Adjusting speed

Fast  Slow



Model:

D803

EN3 Overhead Door Closers -CE Marked

CE	DORRENHAUS				
	EN1154:1996+A1:2002				
D803	-12 + AC: 2006-06				
4	8	3	1	1	3

PERFORMANCE FEATURES

- Economical model for residential and commercial doors
- Precise cast aluminum body & steel arm
- Adjustable closing & latching speed
- Non-Handed installation
- Adjustable back check, Hold open function optional
- Max opening angle 180°



Accessibility



500 Thousand Cycles



2 Years Warranty



2 Hours Fire-rated

STANDARD FEATURES

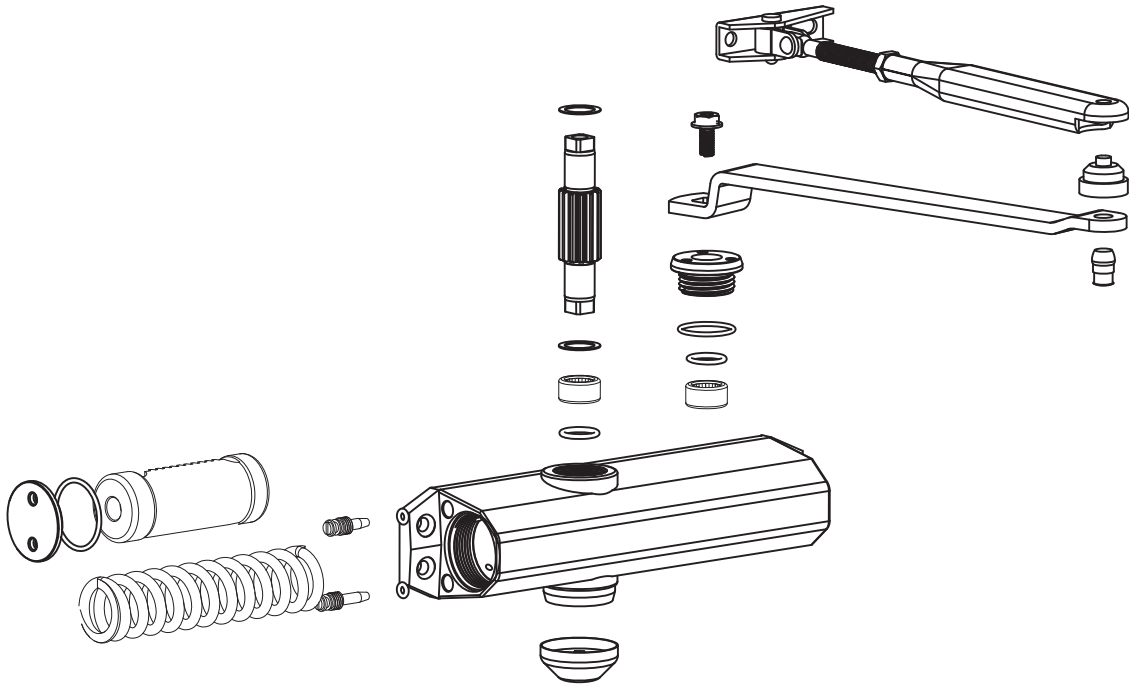
Certification	CE
Spring Power	Fixed EN3
Durability	500,000 cycles above
Speed Valves	Adjustable Closing speed Adjustable Latching speed
Back Check	Optional
Hold Open	Optional
Delayed Action	NO
Hand of door	Non handed
Materials of Body	Die-cast Aluminum
Max Door Width	950mm
Max Door Weight	65KGS
Max. Opening	180 °(Fig1, Fig66, Fig61)
Arm Type	Fixed
Mechanism Type	Rack&Pinion
Power Adjustment Method	By changing templates
Closing Speed Adjustment	15°~180°

Latching Speed Adjustment	0°~15°
Application Temperature	-40°~60°
Fitting Application	Fig1, Fig 66 & Fig61
Finish	Silver, Brown, White, Black, Others upon request
Warranty	2 Years
Cross reference	DORMA TS 68

Model:

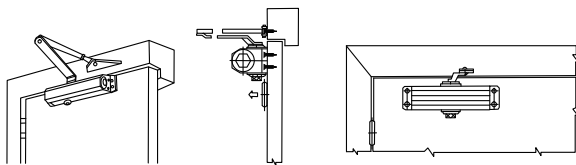
D803

EN3 Overhead Door Closers -CE Marked

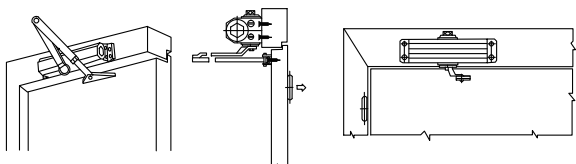


AVAILABLE INSTALLATION TYPE

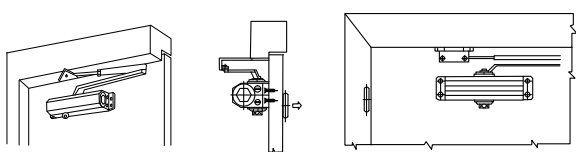
Standard install



Doorcase install



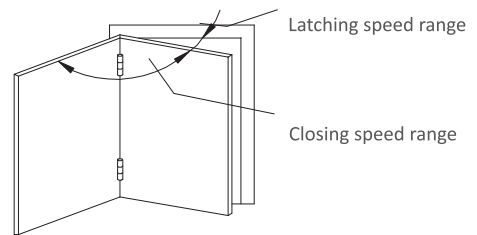
Parallel rocking arm pedestal install



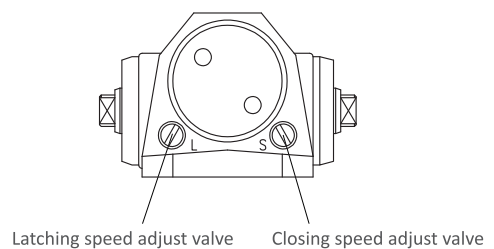
Note

Installation as per template & installation instruction

 Adjusting speed



Fast  Slow



Light Duty Door Closers

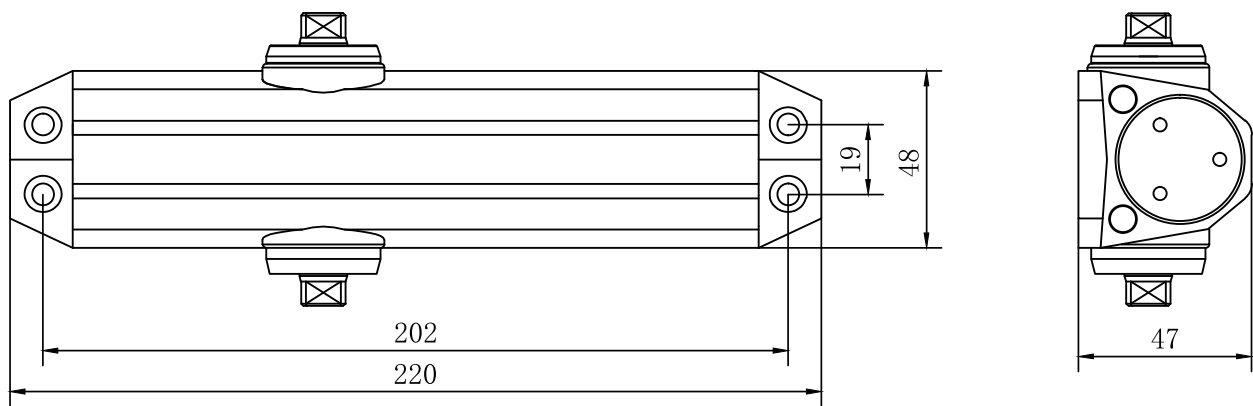
Model:

D803

EN3 Overhead Door Closers -CE Marked

PRODUCT DIMENSIONS

Unit:mm



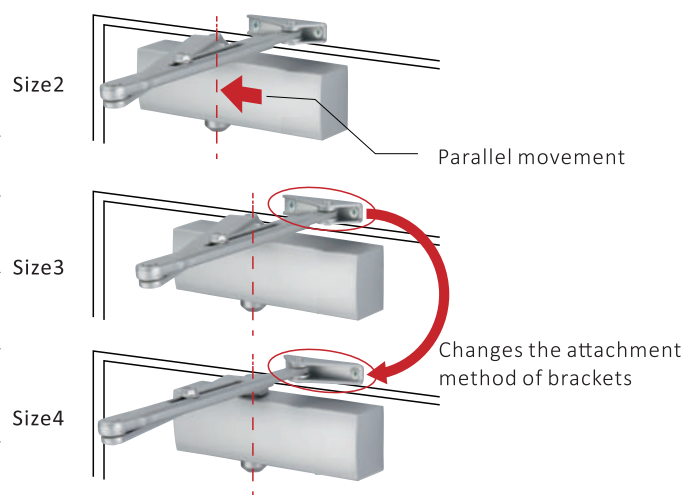
SPRING THRUST, EASY BACK: the commercial-grade arm will not impact opening, at the same time closing door gradually to allow elegant entrance and exit
 GENTLE, NO NEED TO CLOSE BY HAND: let the door close by itself, enjoy self-acting closing and locking, keep quiet and sureness.

Light Duty Door Closers

Position variable

Door sizes 2,3,4 are supported with changes to the mounting position.

Model:D803	Size 2	Size 3	Size 4
Recommended Door Weight	25-45KGS	40-65KGS	60-85KGS
Recommended Max. Door Leaf Width (mm)	850mm	950mm	1100mm
Hold open arm optional	DTWB	DTWB	DTWB
	DT02	DT02	DT02
	DT03	DT03	DT03



Model:
D803—Parts And Accessories



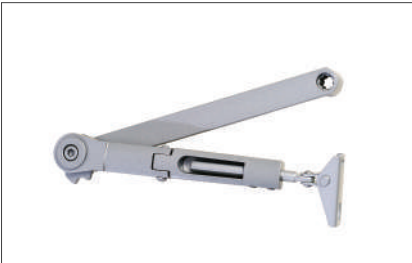
Plastic Cover



PA Bracket



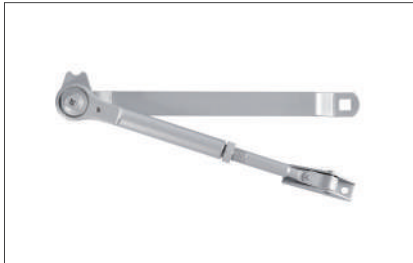
Drop Plate



DT-03 HO Arm



DT-02 HO Arm



DTWB HO Arm

Model:

D703&D706

Medium Duty EN3/EN6 Overhead Door Closers



PERFORMANCE FEATURES

- Economical model for residential and commercial doors
- Precise cast aluminum body & steel arm
- Adjustable closing & latching speed
- Non-Handed installation
- Adjustable back check optional
- UL 228 Certification
- UL 10C Certification 3 hours fire rating



Accessories

PA Bracket



STANDARD FEATURES

Certification	UL
Spring Power	Fixed EN3/EN6
Durability	100,000 cycles above
Speed Valves	Adjustable Closing speed Adjustable Latching speed
Back Check	Optional
Hold Open	Optional
Delayed Action	NO
Mechanism Type	Rack&Pinion
Hand of door	Non handed
Materials of Body	Die-cast Aluminum
Max Door Width	1500mm
Max Door Weight	150KGS
Supplier File Number	R27326
Installation type	Regular,Top Jamb,Parallel
Max. Opening	120 °
Arm Type	Fixed

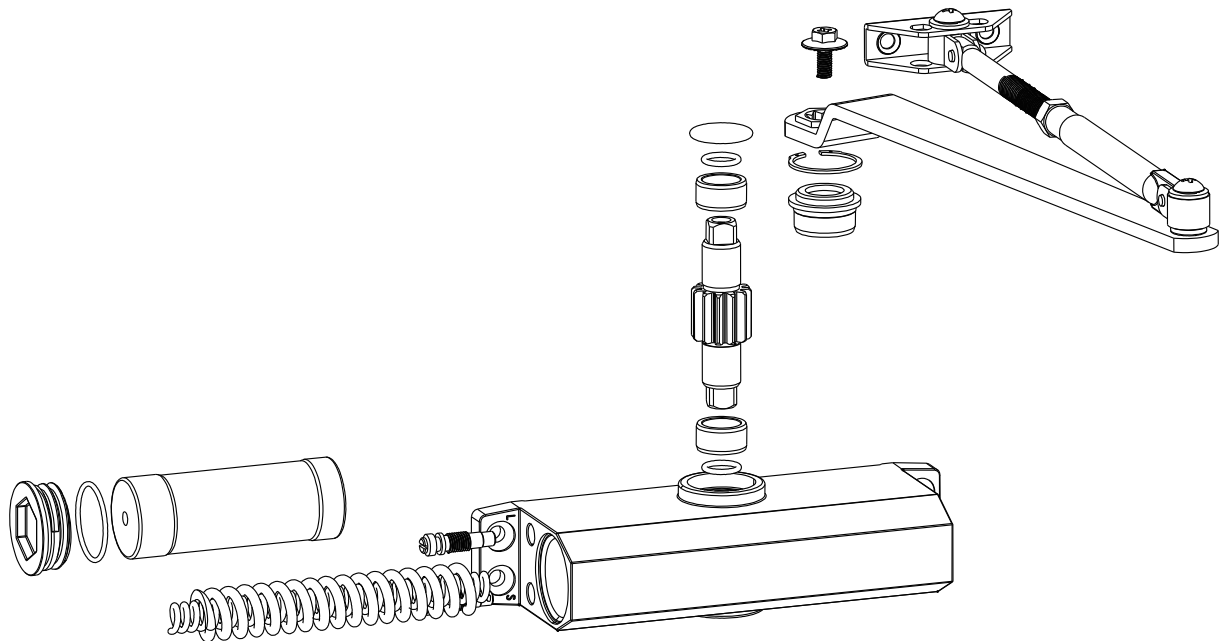


Body Construction	Heat-treated pinion and steel piston
Finish	Silver, Brown, White,Black, Others upon request
Warranty	2 Years

Model:

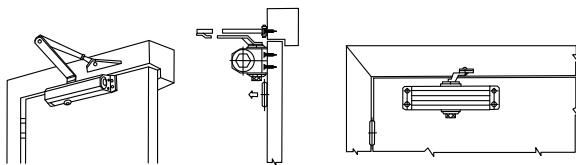
D703&D706

Medium Duty EN3/EN6 Overhead Door Closers

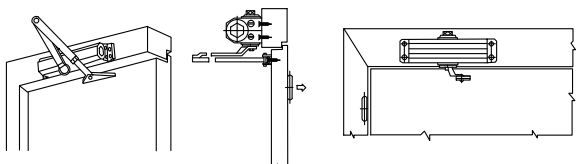


AVAILABLE INSTALLATION TYPE

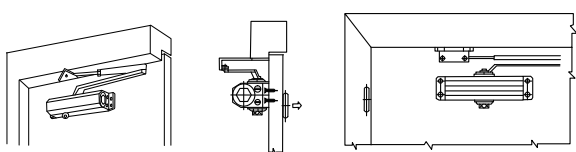
Standard install



Doorcase install



Parallel rocking arm pedestal install



Model #	D703	D706
Spring power	3#	6#
Recommended Door Weight	40-65 KGS	100-150 KGS
Recommended Max. Door Leaf Width (mm)	950 mm	1500 mm

Light Duty Door Closers

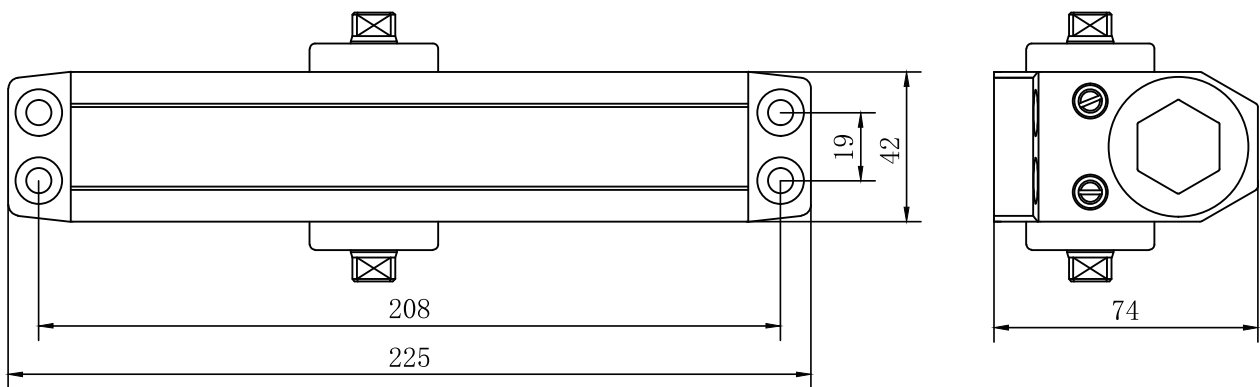
Model:

D703&D706

Medium Duty EN3/EN6 Overhead Door Closers

PRODUCT DIMENSIONS

Unit:mm

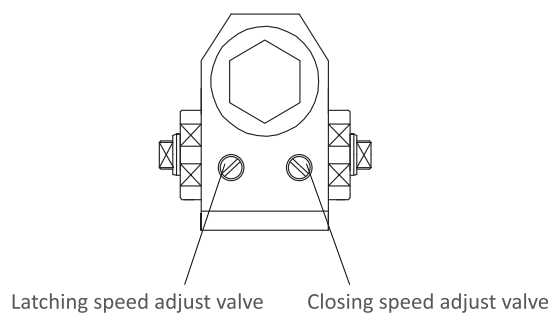
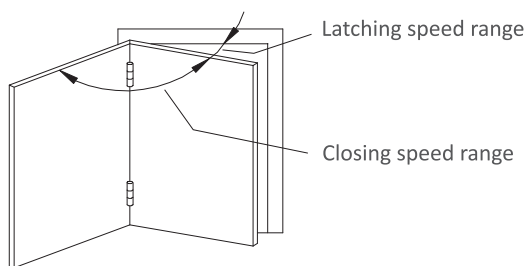


Note

Installation as per template & installation instruction

 Adjusting speed

Fast  Slow



Model:

D604&D605

Medium Duty Commercial Door Closers

PERFORMANCE FEATURES

- Economical model for residential and commercial doors
- Precise cast aluminum body & steel arm
- Adjustable closing & latching speed
- Non-Handed installation
- Fixed spring force #4 , #5
- Max opening angle 120°



Accessories

PA Bracket



STANDARD FEATURES

Spring Power	Fixed EN4/5
Durability	100,000 cycles above
Speed Valves	Adjustable Closing speed Adjustable Latching speed
Back Check	NO
Hold Open	Optional
Delayed Action	NO
Mechanism Type	Rack&Pinion
Hand of door	Non handed
Materials of Body	Die-cast Aluminum
Max Door Width	1200mm
Max Door Weight	120KGS
Installation type	Regular,Top Jamb,Parallel
Max. Opening	120 °
Arm Type	Fixed
Fitting Application	Regular,Top Jamb,Parallel



Accessibility



100 Thousand Cycles



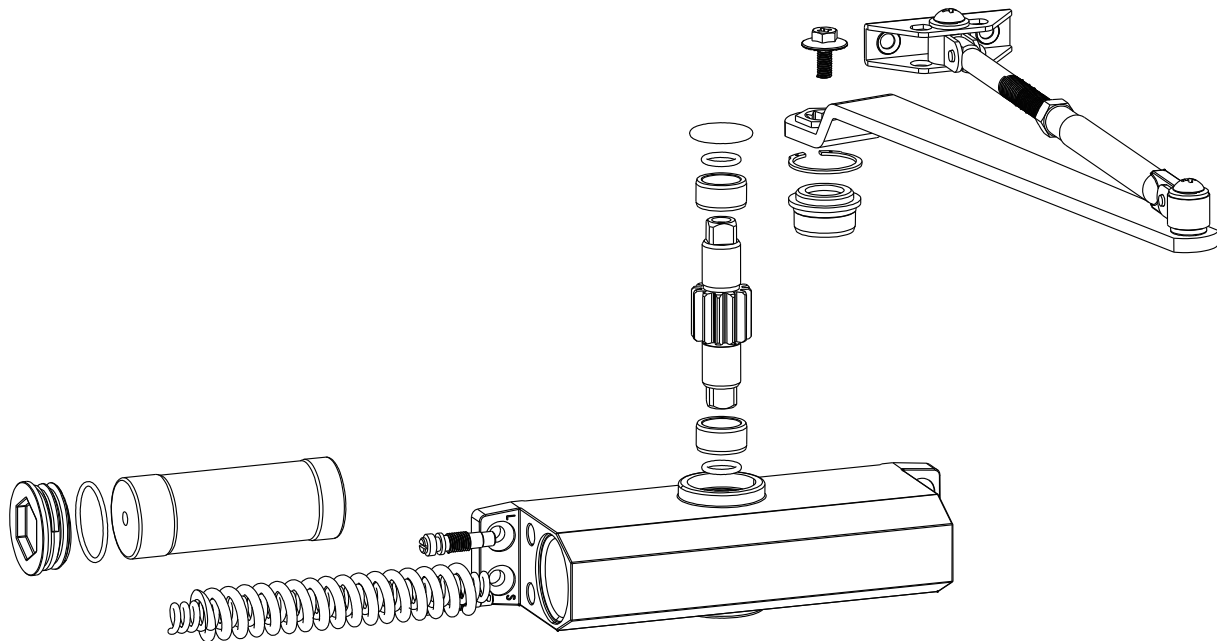
2 Hours Fire-rated

Body Construction	Heat-treated pinion and steel piston
Finish	Silver, Brown, White,Black, Others upon request
Suitable for	Wooden door, Metal door, fire rated door
Warranty	1 Year

Model:

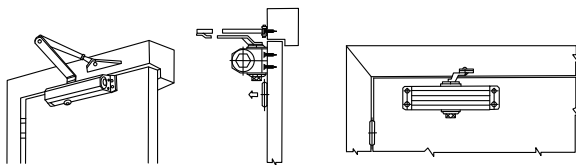
D604&D605

Medium Duty Commercial Door Closers

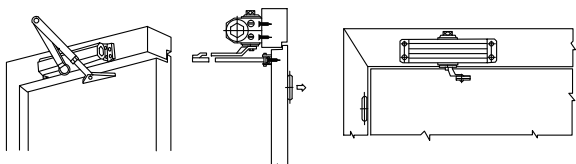


AVAILABLE INSTALLATION TYPE

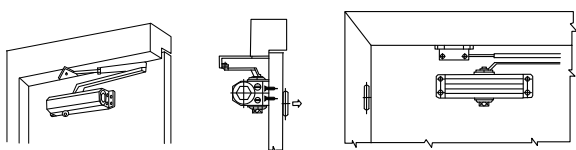
Standard install



Doorcase install



Parallel rocking arm pedestal install



Model #	D604	D605
Spring power	4#	5#
Recommended Door Weight	60-85 KGS	80-120 KGS
Recommended Max. Door Leaf Width (mm)	1100mm	1200mm

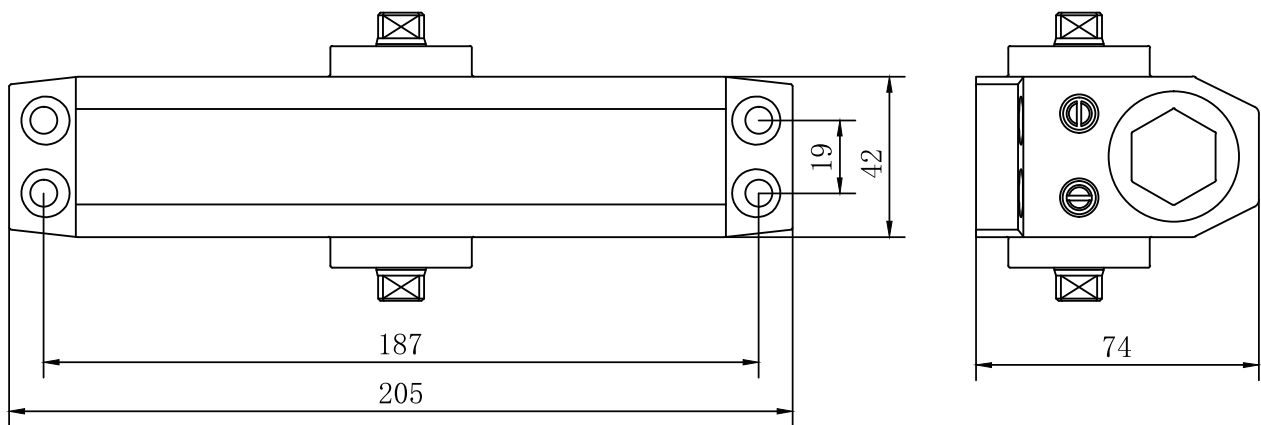
Model:

D604&D605

Medium Duty Commercial Door Closers

PRODUCT DIMENSIONS

Unit:mm

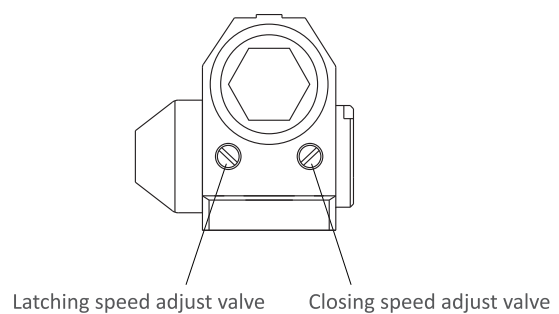
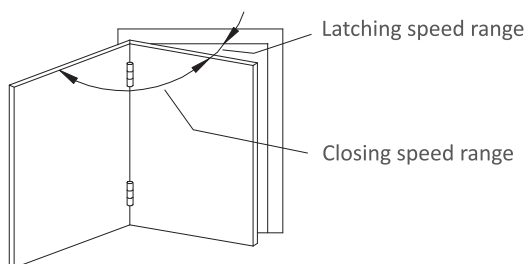


Note

Installation as per template & installation instruction

 Adjusting speed

Fast  Slow



Model:

D503 EN3 Overhead Door Closers

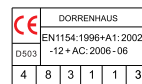


PERFORMANCE FEATURES

- Light & medium duty economical model for residential and commercial doors
- Adjustable closing & latching speed
- Max opening angle 180°
- Non-Handed installation
- BS EN1154 certification 500,000 life cycles
- BS EN1634 certification 2 hours fire rating



Standard Arm

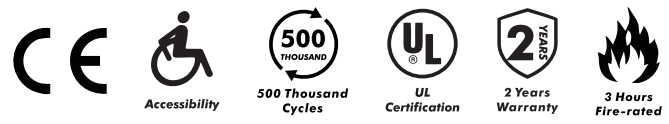


Dorma Arm



STANDARD FEATURES

Certification	CE UL
Spring Power	Fixed EN3
Durability	500,000 cycles above
Speed Valves	Adjustable Closing speed Adjustable Latching speed
Back Check	NO
Hold Open	Optional
Delayed Action	NO
Mechanism Type	Rack&Pinion
Hand of door	Non handed
Materials of Body	Die-cast Aluminum
Tested to EN1154	Report NO.WIL433044
Tested to EN1634	WF report NO.422554
CE Marked	CERTIFIRE Certificate NO.CF5789
Installation type	Fig1, Fig66, Fig61
Max. Opening	180 °(Fig1, Fig66, Fig61)
Arm Type	Fixed
Power Adjustment Method	By using different templates



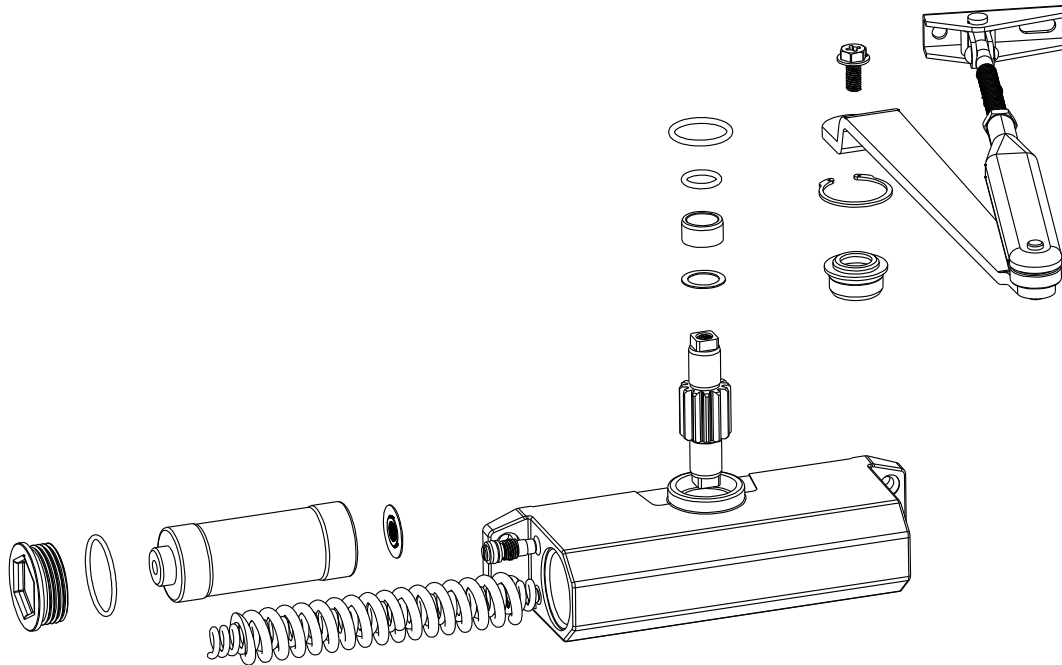
Body Construction	Heat-treated pinion and steel piston
Finish	Silver, Brown, White, Black, Others upon request
Cross reference	DORMA TS 77
Warranty	2 Years

Light Duty Door Closers

Model:

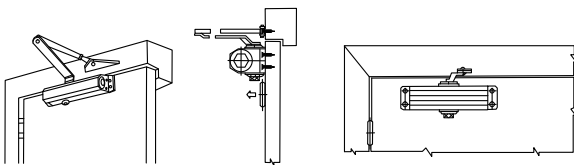
D503

EN3 Overhead Door Closers

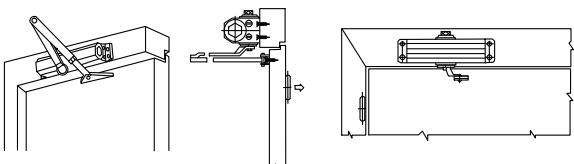


AVAILABLE INSTALLATION TYPE

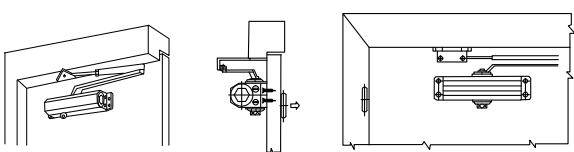
Standard install



Doorcase install

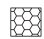


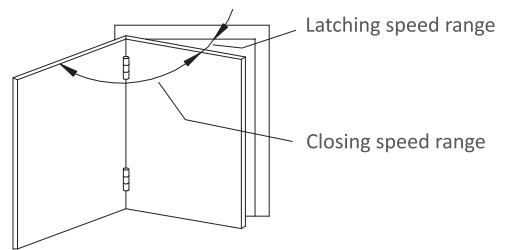
Parallel rocking arm pedestal install



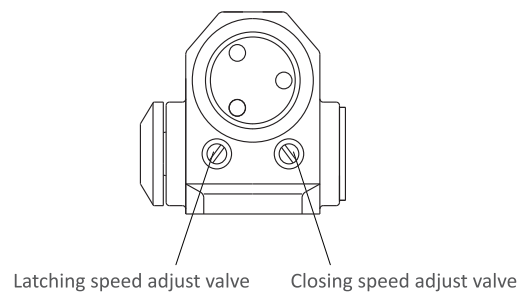
Note

Installation as per template & installation instruction

 Adjusting speed



Fast  Slow



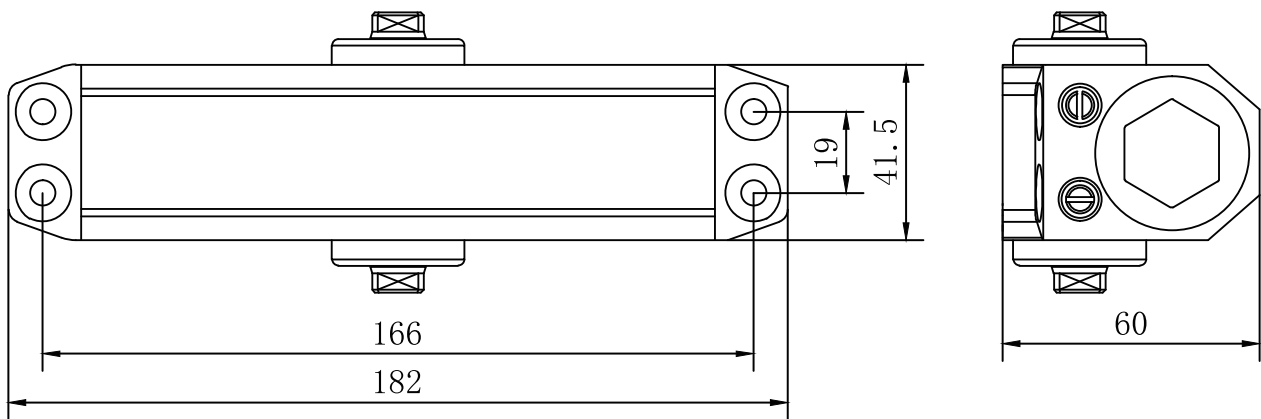
Model:

D503

EN3 Overhead Door Closers

PRODUCT DIMENSIONS

Unit:mm



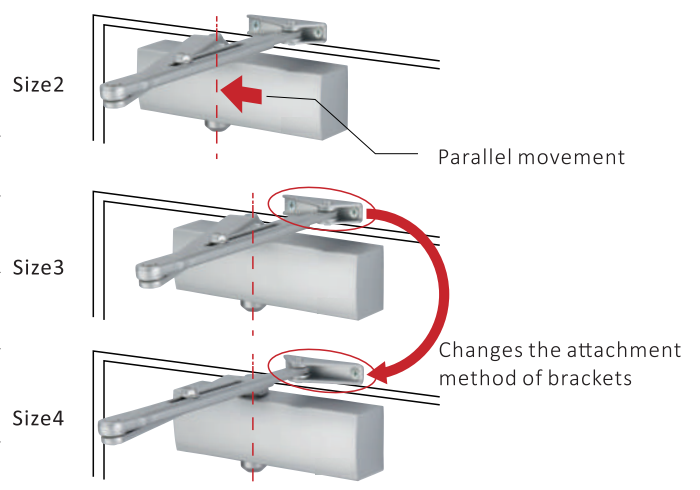
Recommended for, but not limited to interior doors including:
 Aftermarket: Office doors, Utility doors, Storage doors.
 Storefront: Retail/Outlet malls, Convenience stores, Warehouse doors.

Light Duty Door Closers

Position variable

Door sizes 2,3,4 are supported with changes to the mounting position.

Model:D503	Size 2	Size 3	Size 4
Recommended Door Weight	25-45KGS	40-65KGS	60-85KGS
Recommended Max. Door Leaf Width (mm)	850mm	950mm	1100mm
Hold open arm optional	DTWB	DTWB	DTWB
	DT02	DT02	DT02
	DT03	DT03	DT03



Model:
D503—Parts And Accessories



Plastic Cover



PA Bracket



Standard Arm



DTWB HO Arm



DT-03 HO Arm



DT-02 HO Arm

Model:

D404

EN4 Medium Duty Door Closers

PERFORMANCE FEATURES

- Medium duty economical model for residential and commercial Use
- Precise cast aluminum body & steel arm
- Adjustable closing & latching speed
- Non-Handed installation
- Fixed spring force #4
- Hold open function optional



Accessories

PA Bracket



Accessibility



100 Thousand Cycles

STANDARD FEATURES

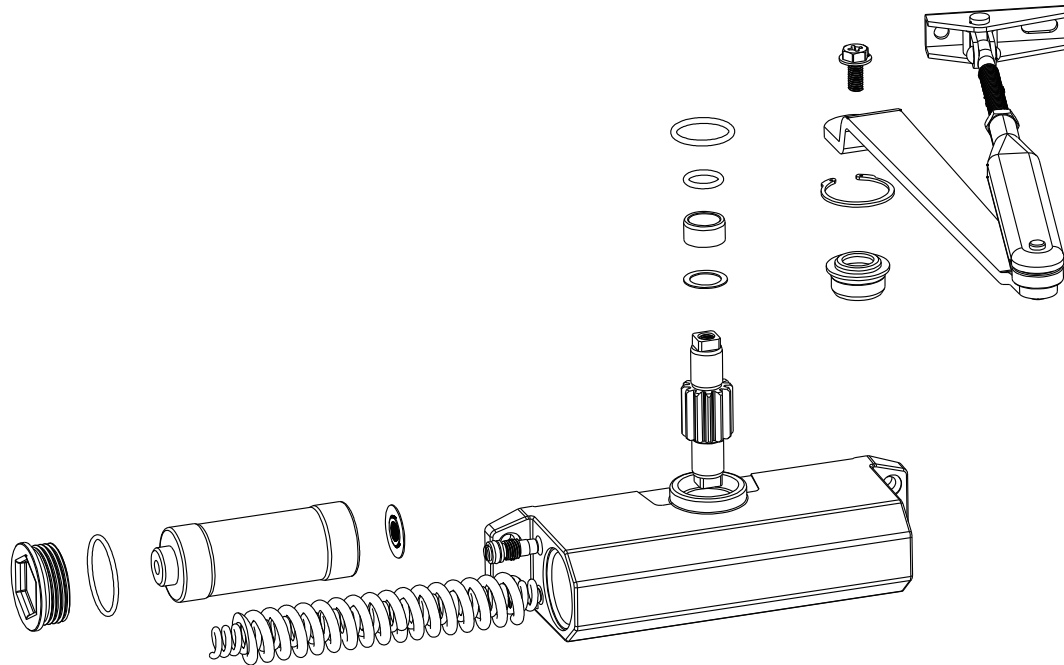
Spring Power	Fixed EN4
Durability	100,000 cycles above
Speed Valves	Adjustable Closing speed Adjustable Latching speed
Hold Open	Optional
Back Check	NO
Delayed Action	NO
Mechanism Type	Rack&Pinion
Hand of door	Non handed
Materials of Body	Die-cast Aluminum
Max Door Width	1100mm
Max Door Weight	85KGS
Installation type	Regular,Top Jamb,Parallel
Max. Opening	120 °
Arm Type	Fixed
Body Construction	Heat-treated pinion and steel piston

Finish	Silver, Brown, White,Black, Others upon request
Suitable for	Wooden door, Metal door, fire rated door
Warranty	1 Year

Model:

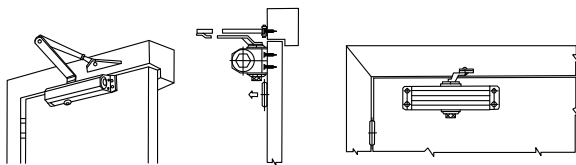
D404

EN4 Medium Duty Door Closers

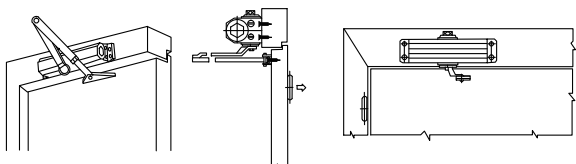


AVAILABLE INSTALLATION TYPE

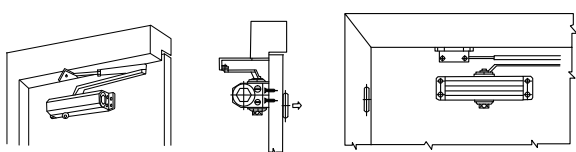
Standard install



Doorcase install



Parallel rocking arm pedestal install



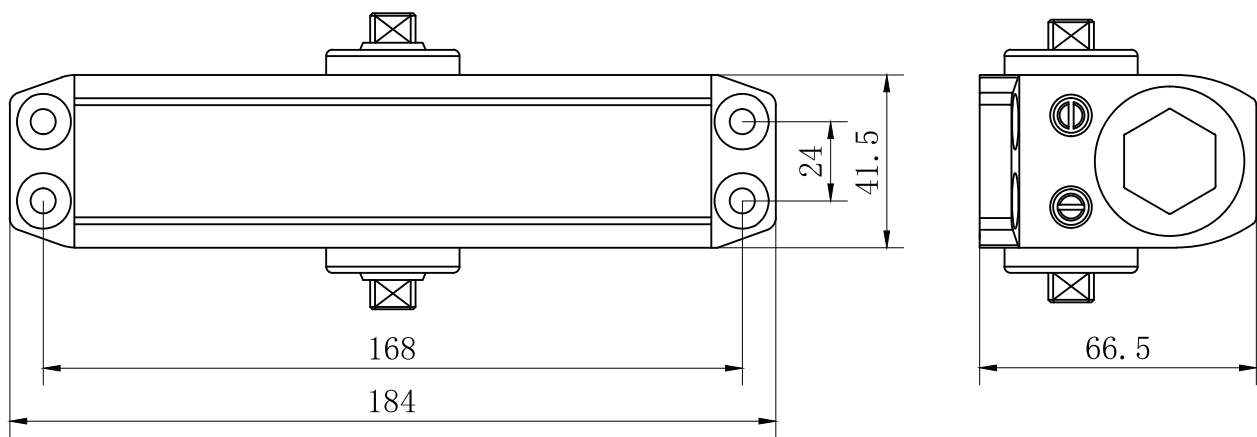
Model #	D404
Spring power	4#
Recommended Door Weight	60-85 KGS
Recommended Max. Door Leaf Width (mm)	1100mm

Model:

D404
EN4 Medium Duty Door Closers

PRODUCT DIMENSIONS

Unit:mm

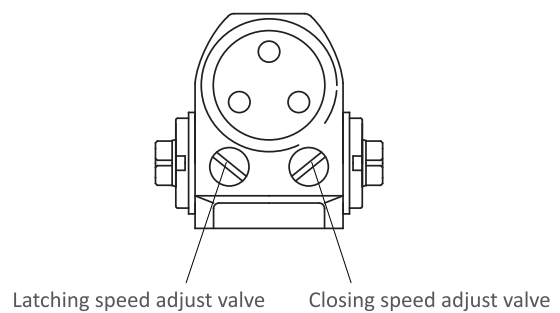
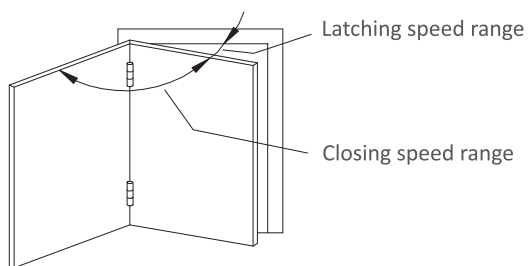


Note

Installation as per template & installation instruction

 Adjusting speed

Fast  Slow



Model:

D303&D304

Light Duty Residential Door Closers

PERFORMANCE FEATURES

- Economical model for residential and commercial Use
- Precise cast aluminum body & steel arm
- Adjustable closing & latching speed
- Non-Handed installation
- Fixed spring force #3 & #4
- Hold open function optional



Accessories

PA Bracket



Accessibility



100 Thousand Cycles

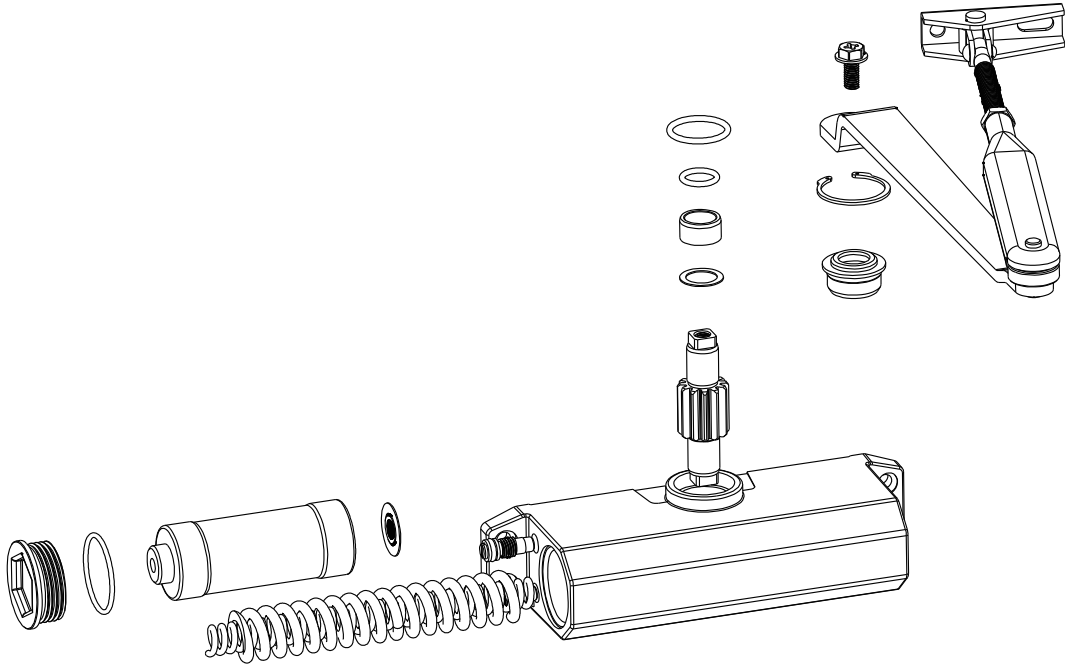
STANDARD FEATURES

Spring Power	Fixed EN3/4
Durability	100,000 cycles above
Speed Valves	Adjustable Closing speed Adjustable Latching speed
Back Check	NO
Hold Open	Optional
Delayed Action	NO
Mechanism Type	Rack&Pinion
Hand of door	Non handed
Materials of Body	Die-cast Aluminum
Max Door Width	1100mm
Max Door Weight	85KGS
Installation type	Regular,Top Jamb,Parallel
Max. Opening	105°
Arm Type	Fixed
Body Construction	Heat-treated pinion and steel piston
Finish	Silver, Brown, White,Black, Others upon request
Suitable for	Wooden door, Metal door, fire rated door
Warranty	1 Year

Model:

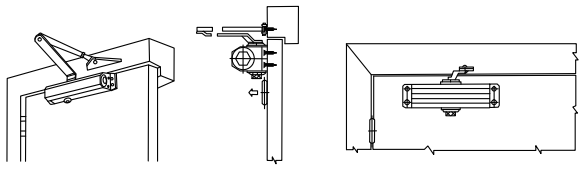
D303&D304

Light Duty Residential Door Closers

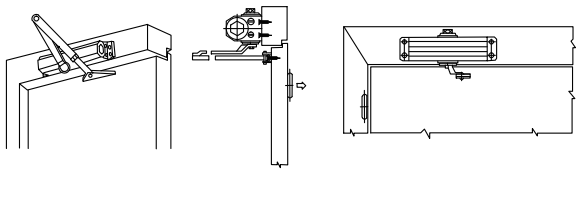


AVAILABLE INSTALLATION TYPE

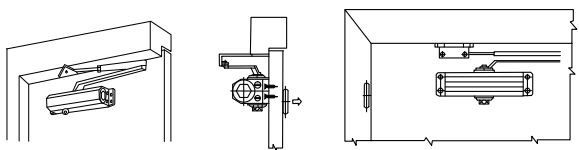
Standard install



Doorcase install



Parallel rocking arm pedestal install



Model #	D303	D304
Spring power	3#	4#
Recommended Door Weight	40-65 KGS	60-85 KGS
Recommended Max. Door Leaf Width (mm)	950mm	1100mm

Light Duty Door Closers

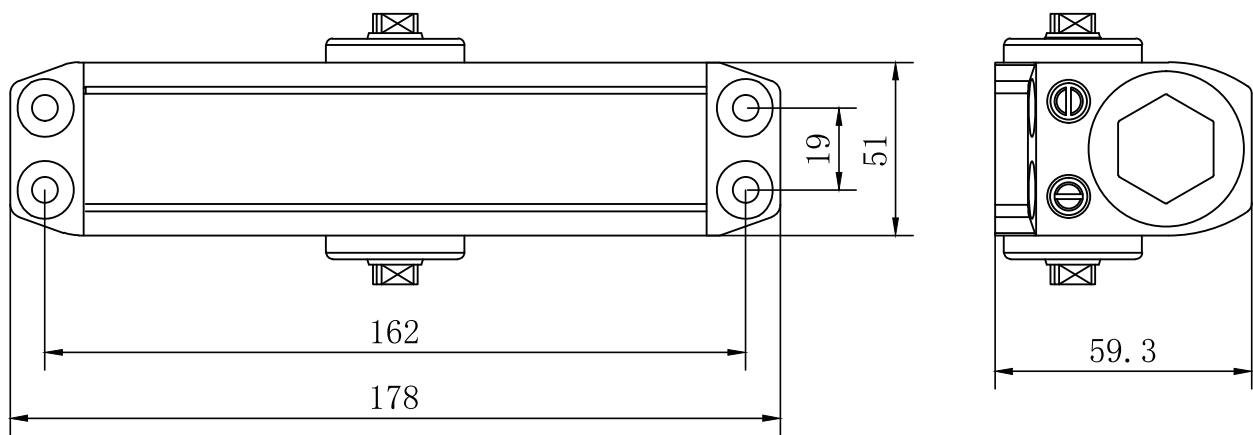
Model:

D303&D304

Light Duty Residential Door Closers

PRODUCT DIMENSIONS

Unit:mm

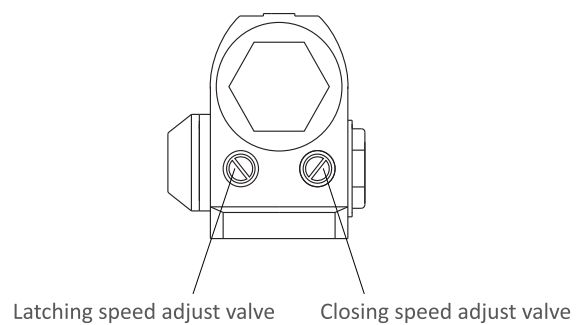
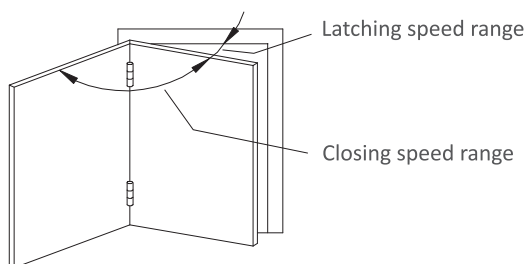


Note

Installation as per template & installation instruction

 Adjusting speed

Fast  Slow



Model:

D300S

UL Listed Light Duty Size3 Door Closers



PERFORMANCE FEATURES

- Economical model for residential and commercial Use
- Precise cast aluminum body & steel arm
- Adjustable closing & latching speed
- Non-Handed installation
- Fixed spring force #3
- Hold open function optional



Accessories

PA Bracket



STANDARD FEATURES

Certification	UL
Spring Power	Fixed EN3
Durability	100,000 cycles above
Speed Valves	Adjustable Closing speed Adjustable Latching speed
Back Check	NO
Hold Open	Optional
Delayed Action	NO
Mechanism Type	Rack&Pinion
Hand of door	Non handed
Materials of Body	Die-cast Aluminum
Max Door Width	950mm
Max Door Weight	65KGS
Supplier File Number	R27326
Installation type	Regular,Top Jamb,Parallel
Max. Opening	130 °
Arm Type	Fixed



Accessibility



100 THOUSAND
100 Thousand
Cycles



2 YEARS
2 Years
Warranty



UL
UL
Certification



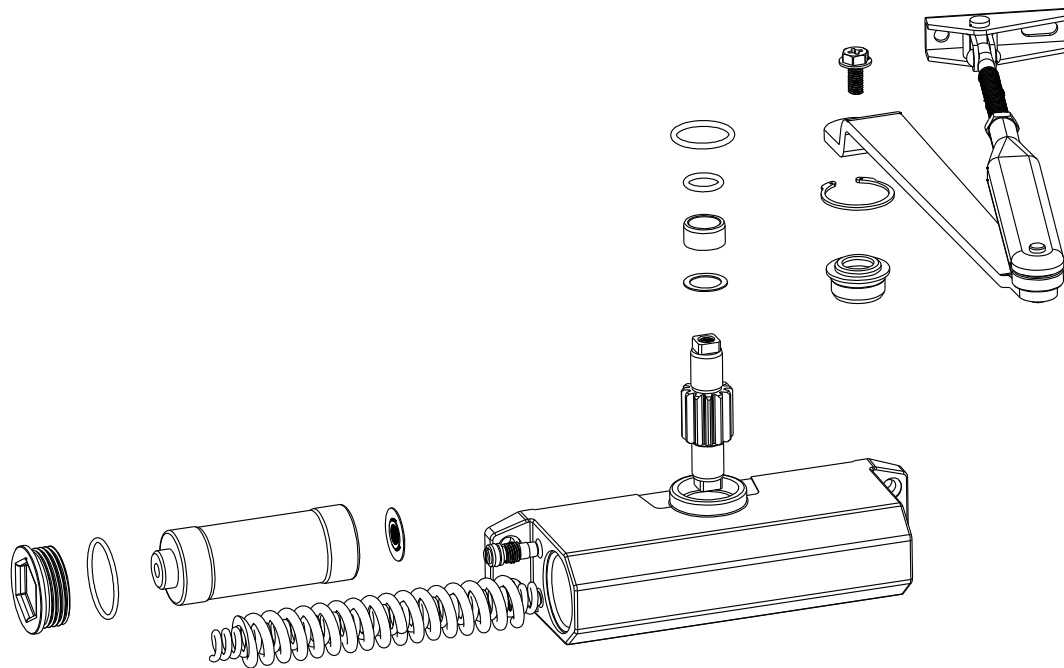
3 Hours
3 Hours
Fire-rated

Body Construction	Heat-treated pinion and steel piston
Finish	Silver, Brown, White,Black, Others upon request
Warranty	2 Years

Model:

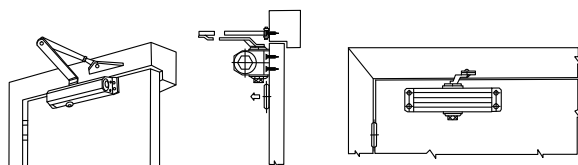
D300S

UL Listed Light Duty Size3 Door Closers

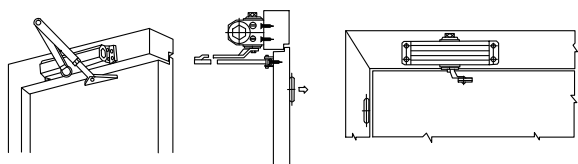


AVAILABLE INSTALLATION TYPE

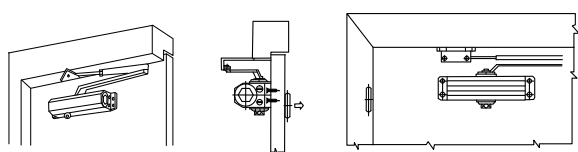
Standard install



Doorcase install



Parallel rocking arm pedestal install



Model #	D300S
Spring power	3#
Recommended Door Weight	40-65 KGS
Recommended Max. Door Leaf Width (mm)	950mm

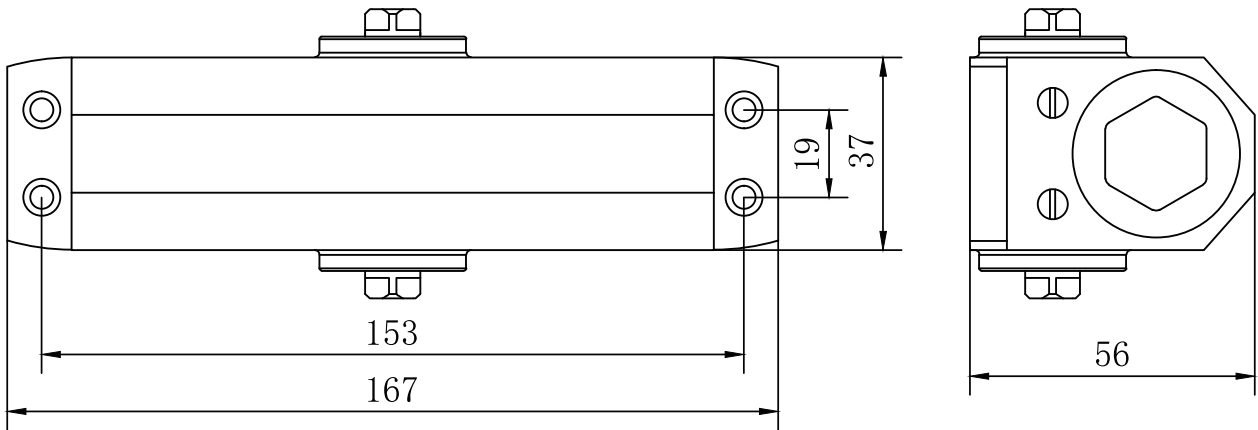
Model:

D300S

UL Listed Light Duty Size3 Door Closers

PRODUCT DIMENSIONS

Unit:mm



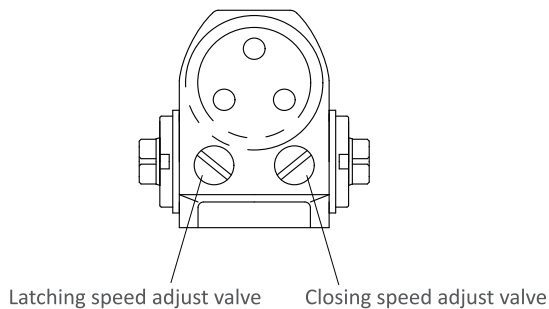
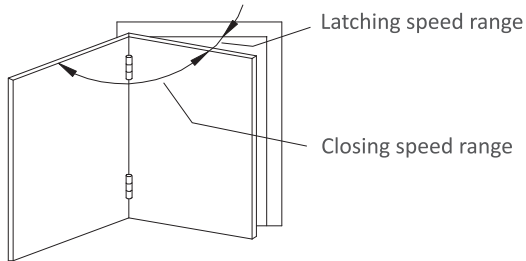
Recommended for, but not limited to interior doors including:
 Aftermarket: Office doors, Utility doors, Storage doors.
 Storefront: Retail/Outlet malls, Convenience stores, Warehouse doors.

Note

Installation as per template & installation instruction

 Adjusting speed

Fast  Slow



Model:

D200

Economic Model Light Duty Door Closers

PERFORMANCE FEATURES

- Economical model for residential and commercial Use
- Precise cast aluminum body & steel arm
- Adjustable closing & latching speed
- Non-Handed installation
- Fixed spring force #2 & #3
- Hold open function optional



Accessories

PA Bracket



Accessibility



100 THOUSAND Cycles

STANDARD FEATURES

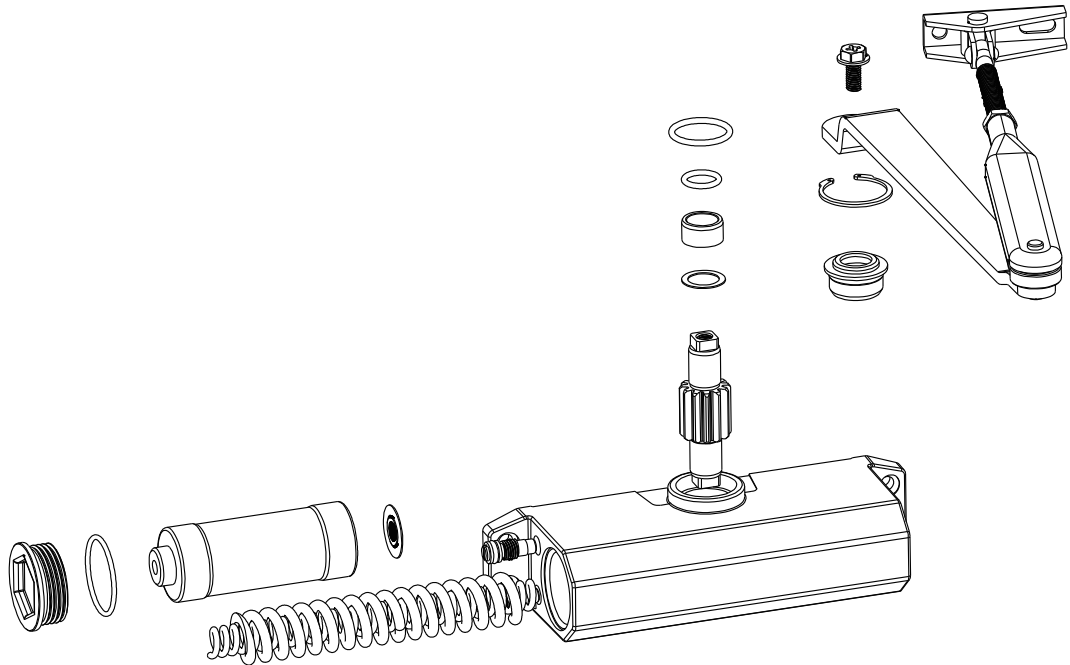
Spring Power	Fixed EN2/3
Durability	100,000 cycles above
Speed Valves	Adjustable Closing speed Adjustable Latching speed
Back Check	NO
Hold Open	Optional
Delayed Action	NO
Mechanism Type	Rack&Pinion
Hand of door	Non handed
Materials of Body	Die-cast Aluminum
Max Door Width	950mm
Max Door Weight	65KGS
Installation type	Regular,Top Jamb,Parallel
Max. Opening	115 °
Arm Type	Fixed

Body Construction	Heat-treated pinion and steel piston
Finish	Silver, Brown, White,Black, Others upon request
Warranty	1 Year

Model:

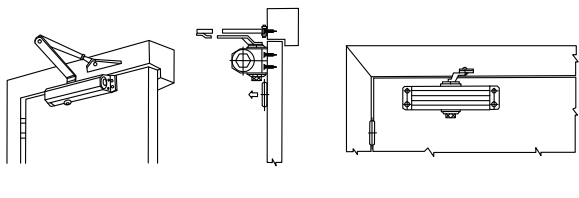
D200

Economic Model Light Duty Door Closers

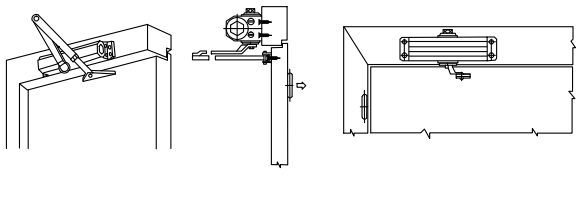


AVAILABLE INSTALLATION TYPE

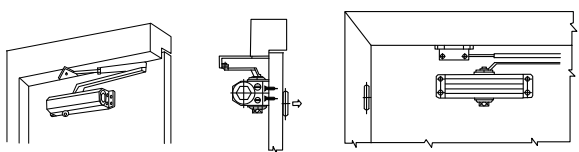
Standard install



Doorcase install



Parallel rocking arm pedestal install



Model #	D202	D203
Spring power	2#	3#
Recommended Door Weight	20-45 KGS	40-65 KGS
Recommended Max. Door Leaf Width (mm)	850mm	950mm

Light Duty Door Closers

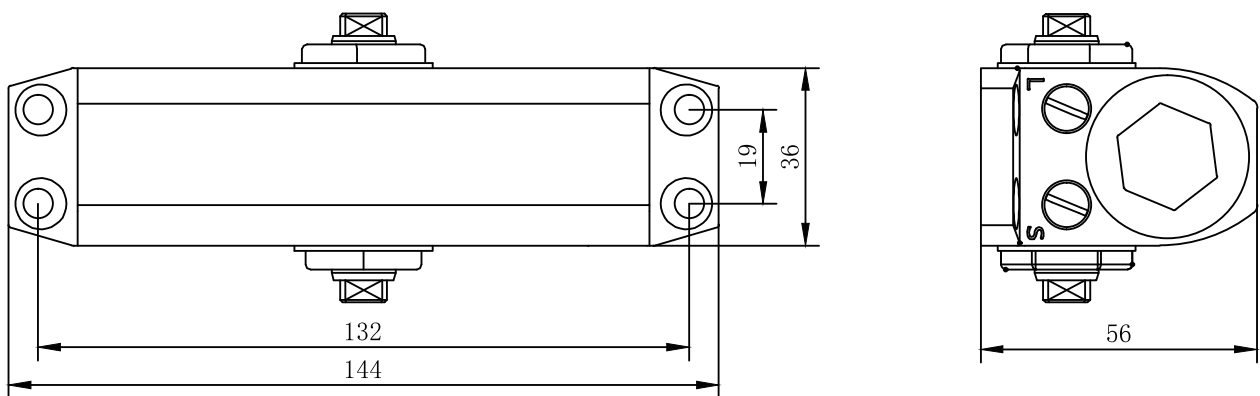
Model:

D200

Economic Model Light Duty Door Closers

PRODUCT DIMENSIONS

Unit:mm

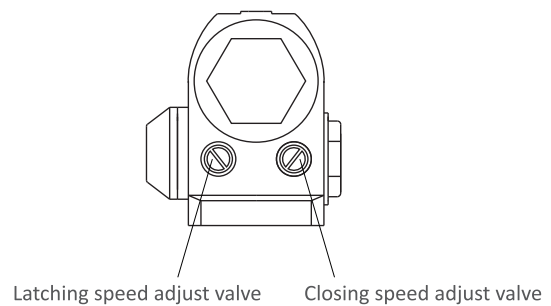
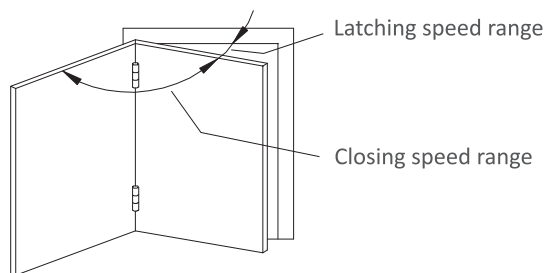


Note

Installation as per template & installation instruction

 Adjusting speed

Fast  Slow



SLIDE TRACK ARM DOOR CLOSERS

Regular color:



Custom colors:



Bronze



Brown



Black



Gold



White



Model:

D90

Overhead Cam Action EN2-4 Sliding Door Closers

PERFORMANCE FEATURES

- Overhead cam action door closer
- Adjustable EN power sizes 2 to 4
- Extruded aluminium body with cam action technology
- Power adjustment by regulator
- Adjustable closing speed and latch action
- Slimline aluminium slide track
- 2 years performance guarantee



STANDARD FEATURES

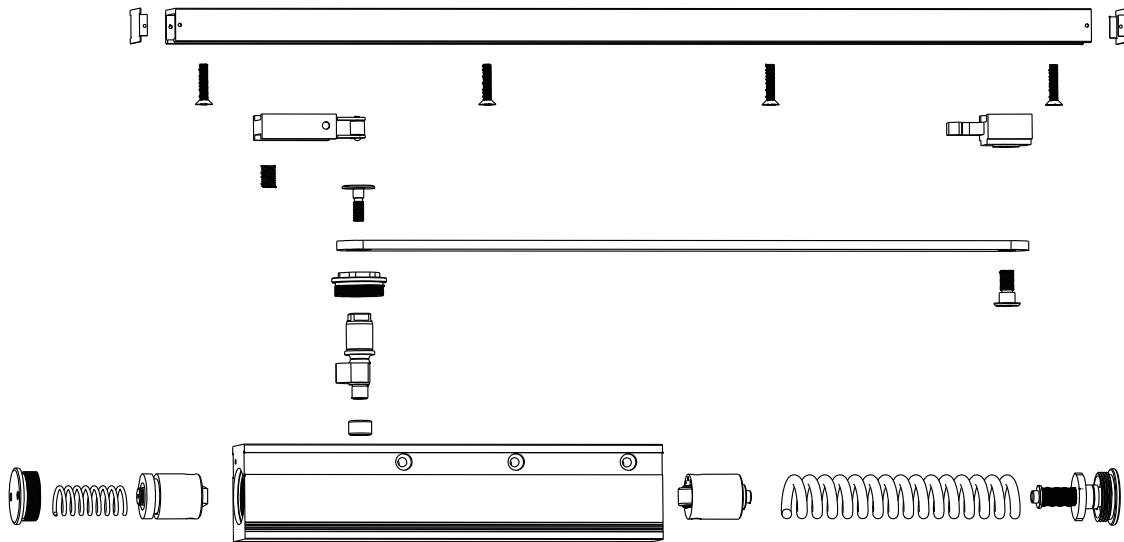
Spring Power	Adjustable Size 2-4
Durability	100,000 cycles above
Speed Valves	Adjustable Closing speed Adjustable Latching speed
Hold Open	Optional
Back Check	NO
Delayed Action	NO
Pressure relief valve	Yes
Mechanism	Cam Action
Hand of door	Non handed
Materials of Body	Aluminum
Materials of guide rail and Main Arm:	6061, Steel
Materials of Spring	60Si2Mn
Type	Overhead

Arm type	Sliding track arm
Max. Opening	120 °
Description	Closing speed can be individually adjusted Hydraulic latching action which accelerates the door shortly before it is closed
Application	Suitable for interior wood, Glass door and frame
Finish	Silver, Brown, White, Black, Others upon request
Leaf width (max.)	1100mm
Leaf weight (max.)	85KGS
Warranty	2 Years

Model:

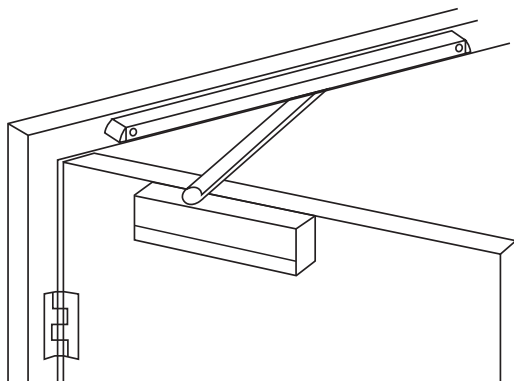
D90

Overhead Cam Action EN2-4 Sliding Door Closers



AVAILABLE INSTALLATION TYPE

Standard install



Slide Track Arm Door Closers

Model #	D90
Spring power	2-4#
Recommended Door Weight	20-85 KGS
Recommended Max. Door Leaf Width (mm)	850-1100 mm
Notes	Slide track arm

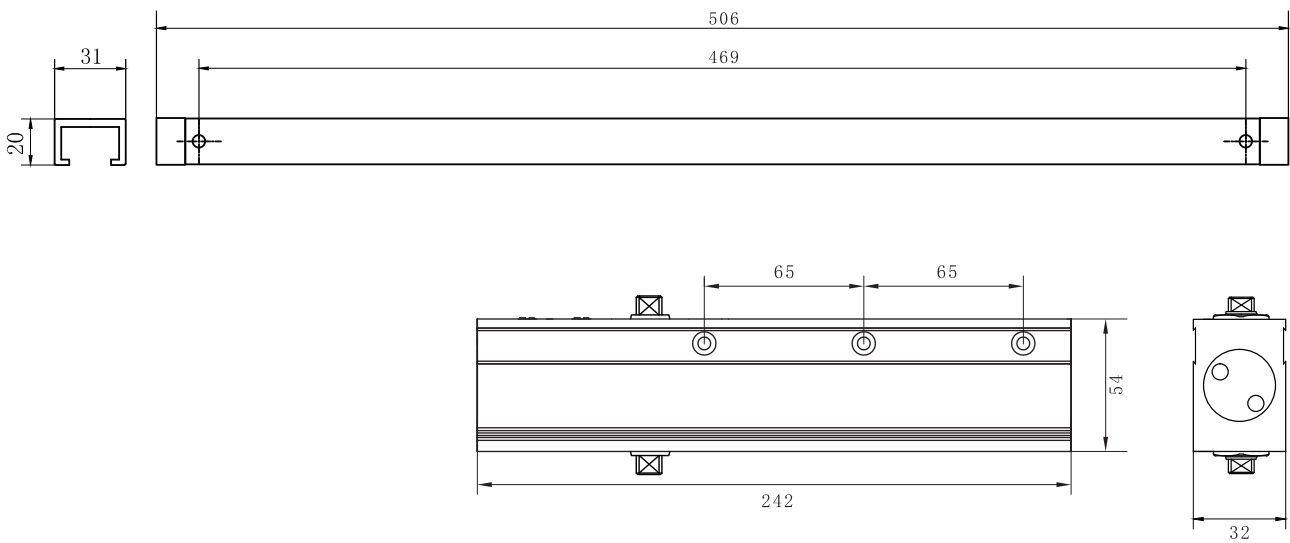
Model:

D90

Overhead Cam Action EN2-4 Sliding Door Closers

PRODUCT DIMENSIONS

Unit:mm



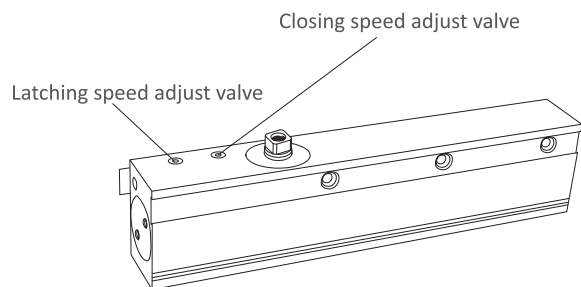
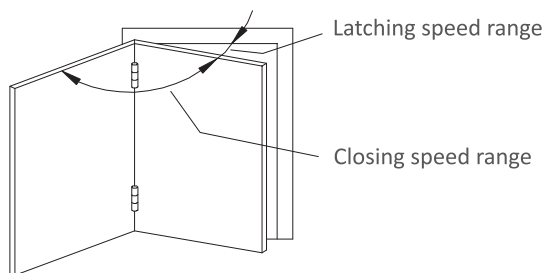
Rapid decrease in opening force makes doors easy to open, yet provides maximum closing force at the latch.

Note

Installation as per template & installation instruction

 Adjusting speed

Fast  Slow



Model:

D3000SH

Overhead Adjustable Size 2-4 Door Closers

PERFORMANCE FEATURES

- For commercial use
- The product complies with the EN1154 standard design
- Adjustable closing & latching speed
- Adjustable spring force #2-4
- Max opening angle 180°
- Adjustable back check, Delayed action function optional, Sliding track arm
- BS EN 1634 certification 2 hours fire rating



Accessibility



100 Thousand Cycles



2 Hours Fire-rated

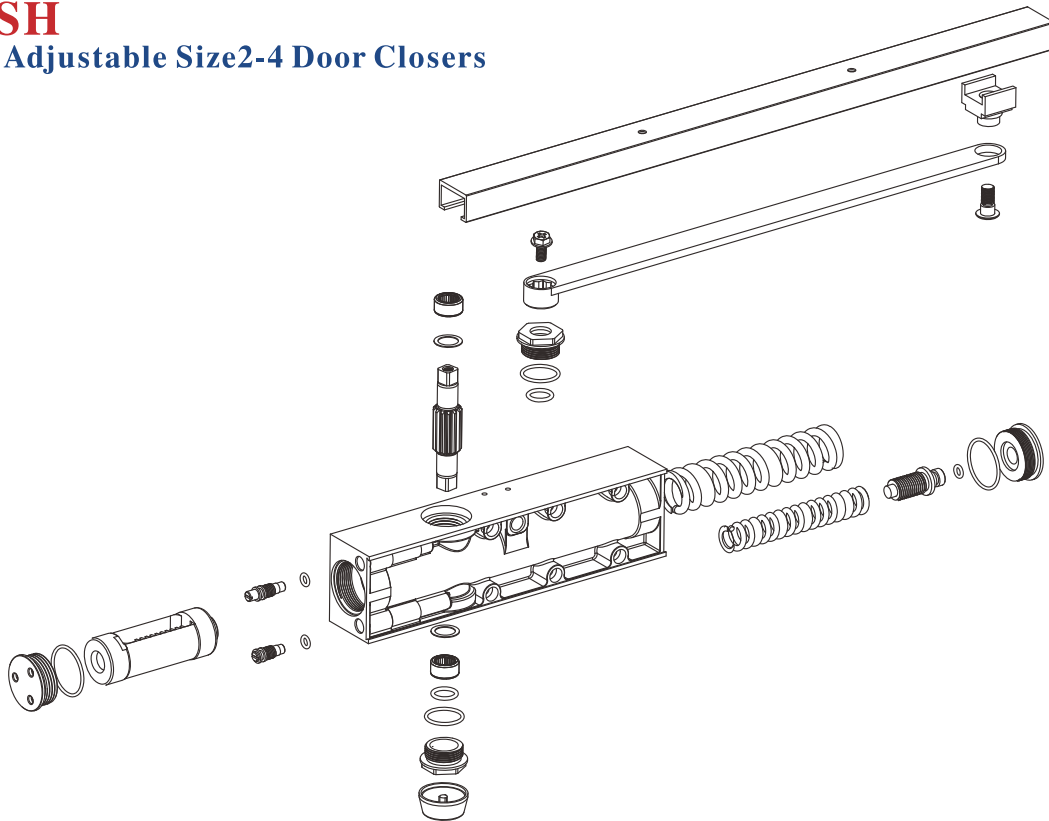
STANDARD FEATURES

Spring Power	Adjustable Size 2-4
Durability	100,000 cycles above
Speed Valves	Adjustable Closing speed Adjustable Latching speed
Back Check	Optional
Delayed Action	Optional
Arm type	Track arm
Max. Opening	180 °
Fitting Application	Exposed with sliding track arm
Mechanism	Rack & Pinion
Materials of Body	Die-cast Aluminum
Door width (max.)	1100mm
Door weight (max.)	20-85KGS
Hand of door	Non handed
Bearing	Full complement bearing for long durability
Piston and Pinion	45#steel, 20Cr
Application	Suitable for interior wood, hollow metal, and aluminum doors and frames
Finish	Silver, Brown, White, Black, Others upon request
Warranty	1 Year
Cross reference	Dorma TS83

Model:

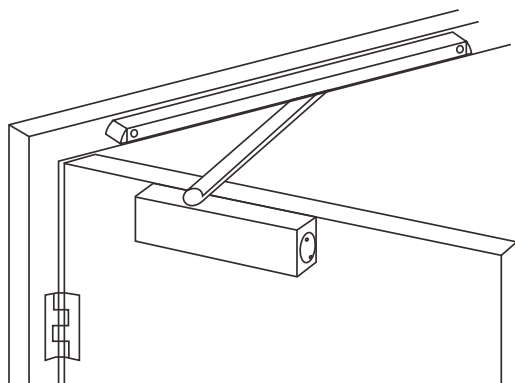
D3000SH

Overhead Adjustable Size 2-4 Door Closers



AVAILABLE INSTALLATION TYPE

Standard install



Model #	D3000SH
Spring power	2-4#
Recommended Door Weight	20-85KGS
Recommended Max. Door Leaf Width (mm)	800-1100mm
Notes	Sliding track arm

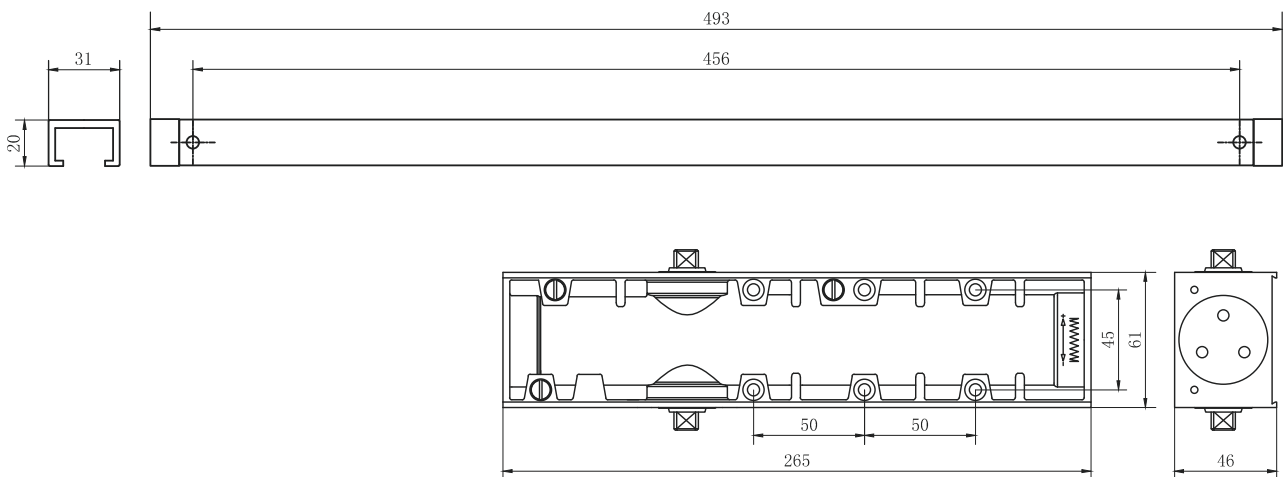
Model:

D3000SH

Overhead Adjustable Size2-4 Door Closers

PRODUCT DIMENSIONS

Unit:mm



Control and protection of the door.

The closing speed and final latch action adjustment valves ensure accurate control of the door's performance.

The version with hold open arm is suitable when the door needs to be kept in a certain position in total safety.

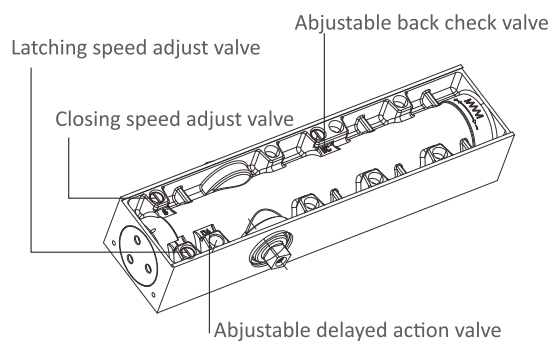
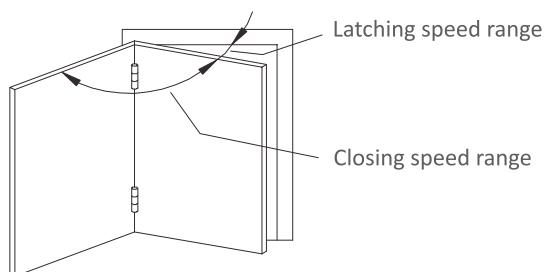
The versions supplied with the backcheck function protect the structure of the door if it is used improperly.

Note

Installation as per template & installation instruction

 Adjusting speed

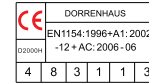
Fast  Slow



Model:

D2000H & D2025H

Overhead Sliding Track Door Closer-CE marked



PERFORMANCE FEATURES

- European style designed medium duty closer for commercial doors
- Precise cast aluminum body & steel arm, sliding track arm
- Adjustable closing & latching speed
- Adjustable back check, hold open function optional
- Max opening angle 180°
- Non-Handed installation
- Fixed spring force #3, Adjustable spring force #1-3
- BS EN 1154 certification 500,000 life cycles
- BS EN 1634 certification 2 hours fire rating



STANDARD FEATURES

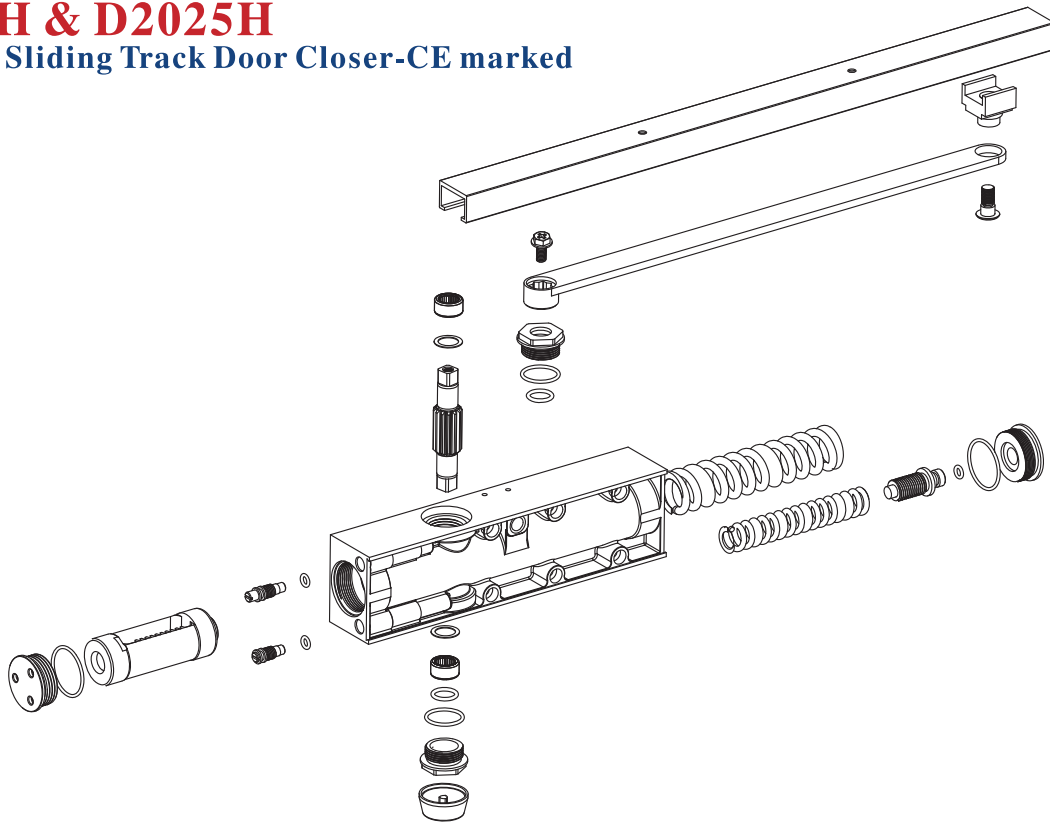
Certification	CE
Spring Power	Fixed EN3/Adjustable EN1-3
Durability	500,000 cycles above
Speed Valves	Adjustable Closing speed Adjustable Latching speed
Back Check	Optional
Hold Open	Optional
Delayed Action	NO
Max. Opening	180 °
Fitting Application	Exposed with sliding track arm
Mechanism	Rack & Pinion
Materials of Body	Die-cast Aluminum
Materials of Arm	Steel
Arm type	Track arm
Tested to EN1154	Report NO.WIL433045
Tested to EN1634	WF report NO.422554
CE Marked	CERTIFIRE Certificate NO.CF5800

Hand of door	Non handed
Bearing	Full complement bearing for long durability
Piston and Pinion	45#steel, 20Cr
EN 1154 Classification	483113
Application	Suitable for wooden door, metal door, and fire rated door
Leaf width (max.)	950mm
Leaf weight (max.)	65KGS, 20-65KGS
Finish	Silver, Brown, White, Black, Others upon request
Warranty	2 Years

Model:

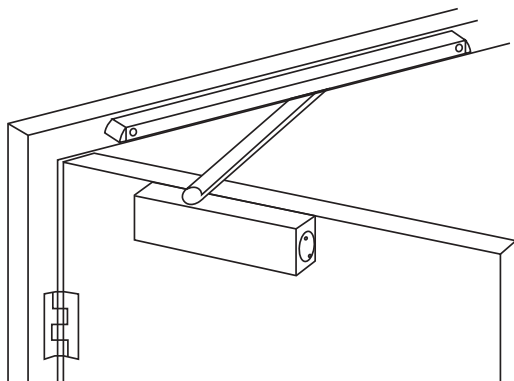
D2000H & D2025H

Overhead Sliding Track Door Closer-CE marked



AVAILABLE INSTALLATION TYPE

Standard install



Slide Track Arm Door Closers

Model #	D2000H	D2025H
Spring power	3#	1-3#
Recommended Door Weight	65 KGS	20-65KGS
Recommended Max. Door Leaf Width (mm)	950 mm	800-950mm
Notes	Sliding track arm	Sliding track arm

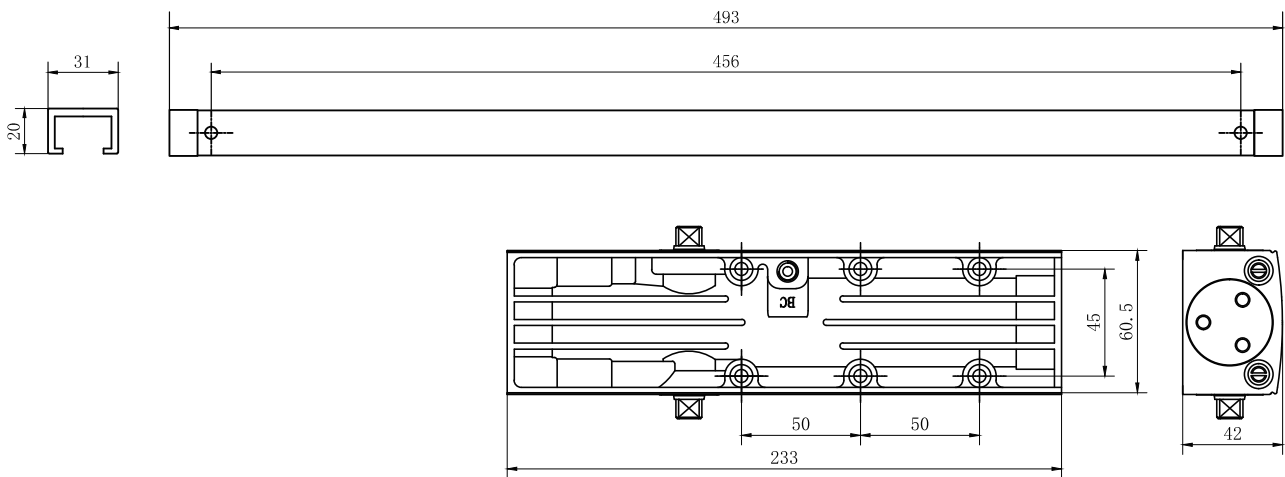
Model:

D2000H & D2025H

Overhead Sliding Track Door Closer-CE marked

PRODUCT DIMENSIONS

Unit:mm



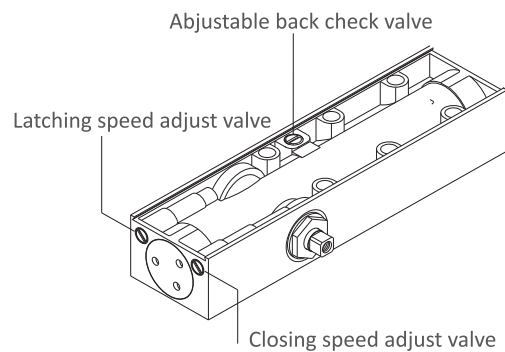
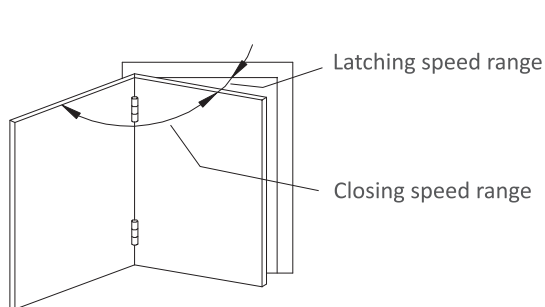
Control and protection of the door.
 The closing speed and final latch action adjustment valves ensure accurate control of the door's performance.
 The version with hold open arm is suitable when the door needs to be kept in a certain position in total safety.
 The versions supplied with the backcheck function protect the structure of the door if it is used improperly.

Note

Installation as per template & installation instruction

 Adjusting speed

Fast  Slow



Model:

D1000H

Adjustable EN1-2 Overhead Sliding Door Closers

PERFORMANCE FEATURES

- For commercial use
- Max opening angle 180°
- Adjustable spring force #1-2
- Adjustable back check function optional, Sliding track arm
- The product complies with the EN1154 standard design



Accessibility



100 Thousand Cycles



2 Years Warranty

STANDARD FEATURES

Spring Power	Adjustable 1-2#
Durability	100,000 cycles above
Speed Valves	Adjustable Closing speed Adjustable Latching speed
Hold Open	Optional
Back Check	Optional
Delayed Action	NO
Mechanism	Rack & Pinion
Hand of door	Non handed
Materials of Body	Die-cast Aluminum
Materials of Arm	Steel
Fitting Application	Exposed with sliding track arm
Max. Opening	180 °
Suitability for fire protection doors	Yes
Bearing	Full complement bearing for long durability
Piston and Pinion	45#steel, 20Cr

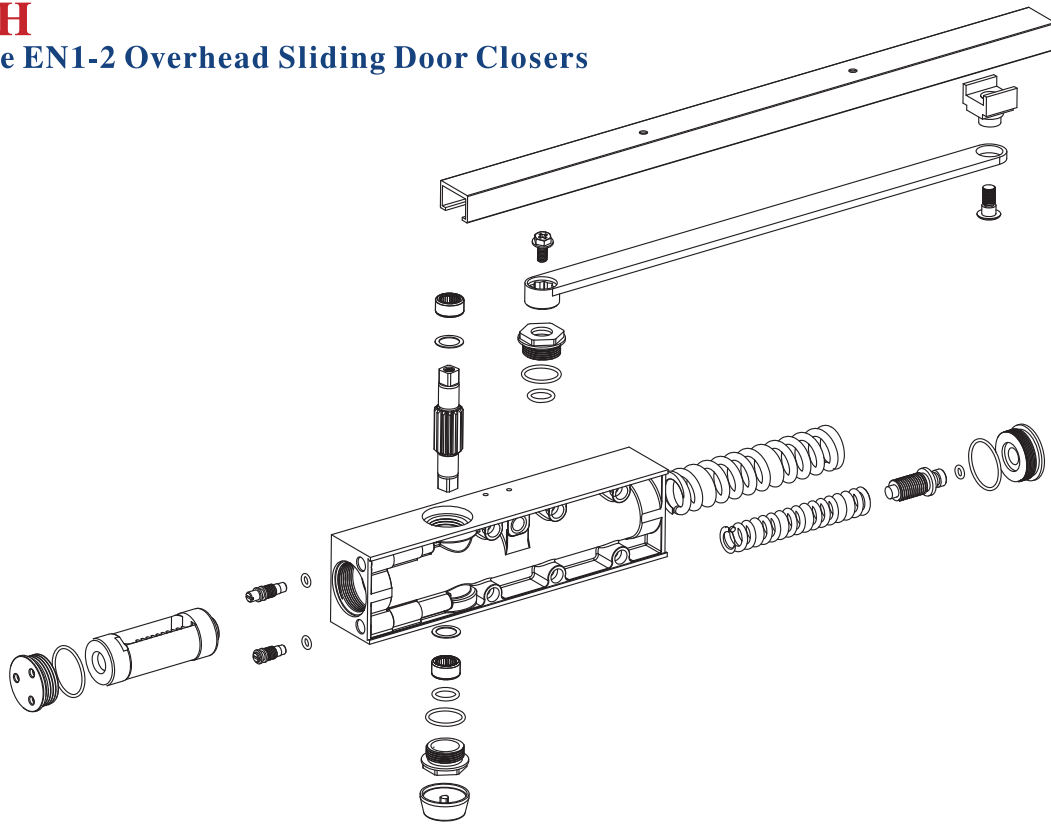
Product Description	Closing speed can be individually adjusted Hydraulic latching action which accelerates the door shortly before it is closed
Application	Suitable for wooden door, metal door, and fire rated door
Leaf width (max.)	850mm
Leaf weight (max.)	45KGS
Finish	Silver, Brown, White, Black, Others upon request
Warranty	2 Years

Slide Track Arm Door Closers

Model:

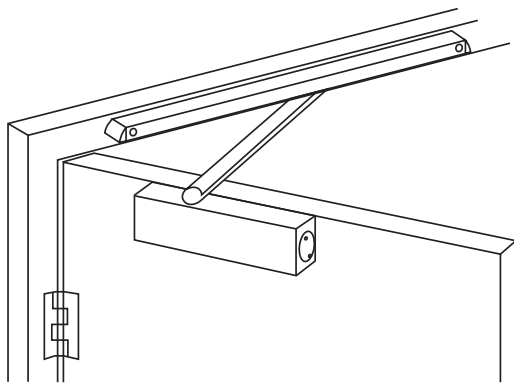
D1000H

Adjustable EN1-2 Overhead Sliding Door Closers



AVAILABLE INSTALLATION TYPE

Standard install



Model #	D1000H
Spring power	1-2#
Recommended Door Weight	20-45KGS
Recommended Max. Door Leaf Width (mm)	800-850mm
Notes	Sliding track arm

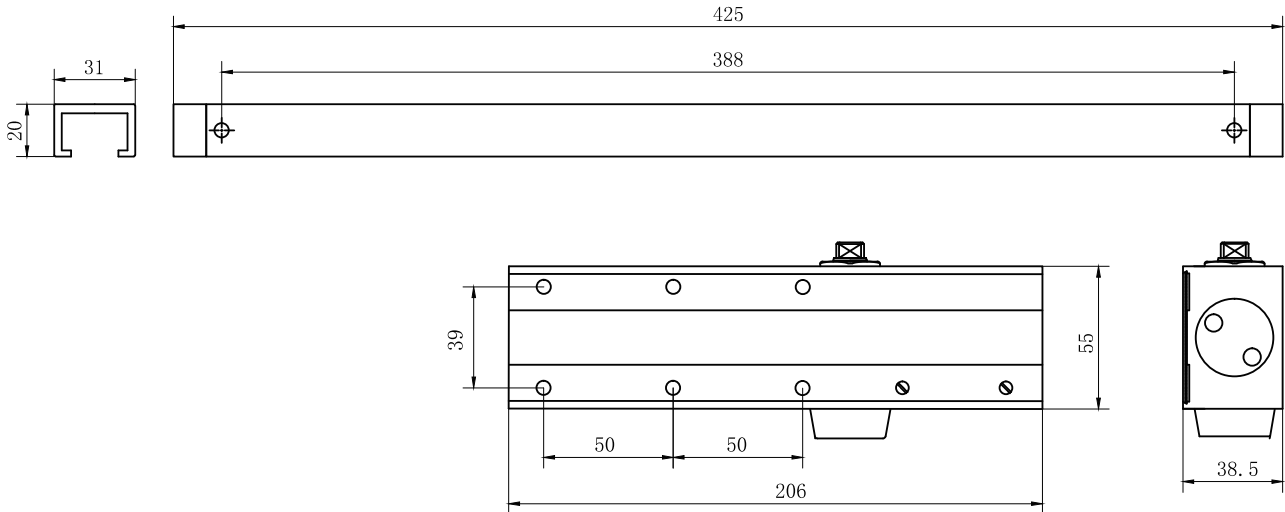
Model:

D1000H

Adjustable EN1-2 Overhead Sliding Door Closers

PRODUCT DIMENSIONS

Unit:mm



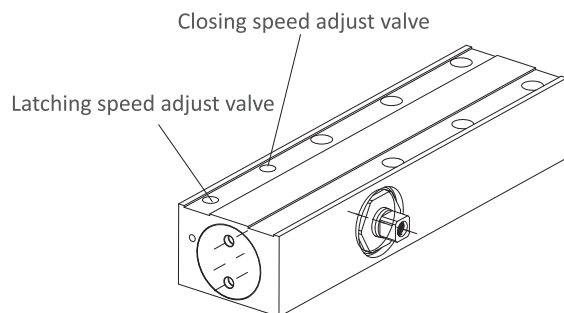
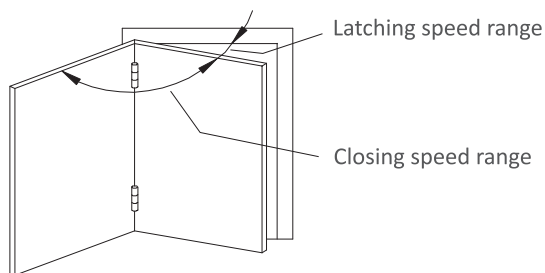
Control and protection of the door.
 The closing speed and final latch action adjustment valves ensure accurate control of the door's performance.
 The version with hold open arm is suitable when the door needs to be kept in a certain position in total safety.
 The versions supplied with the backcheck function protect the structure of the door if it is used improperly.

Note

Installation as per template & installation instruction

 Adjusting speed

Fast  Slow



Model:

D900H

EN2 Overhead Door Closers With Sliding Track Arm

PERFORMANCE FEATURES

- European style designed for residential and commercial doors
- Precise cast aluminum body & steel arm, sliding track arm
- Adjustable closing & latching speed
- Hold open function optional
- Max opening angle 180°
- Non-Handed installation
- Fixed spring force # 2



Accessibility



100 THOUSAND
Cycles



2 Years
Warranty

STANDARD FEATURES

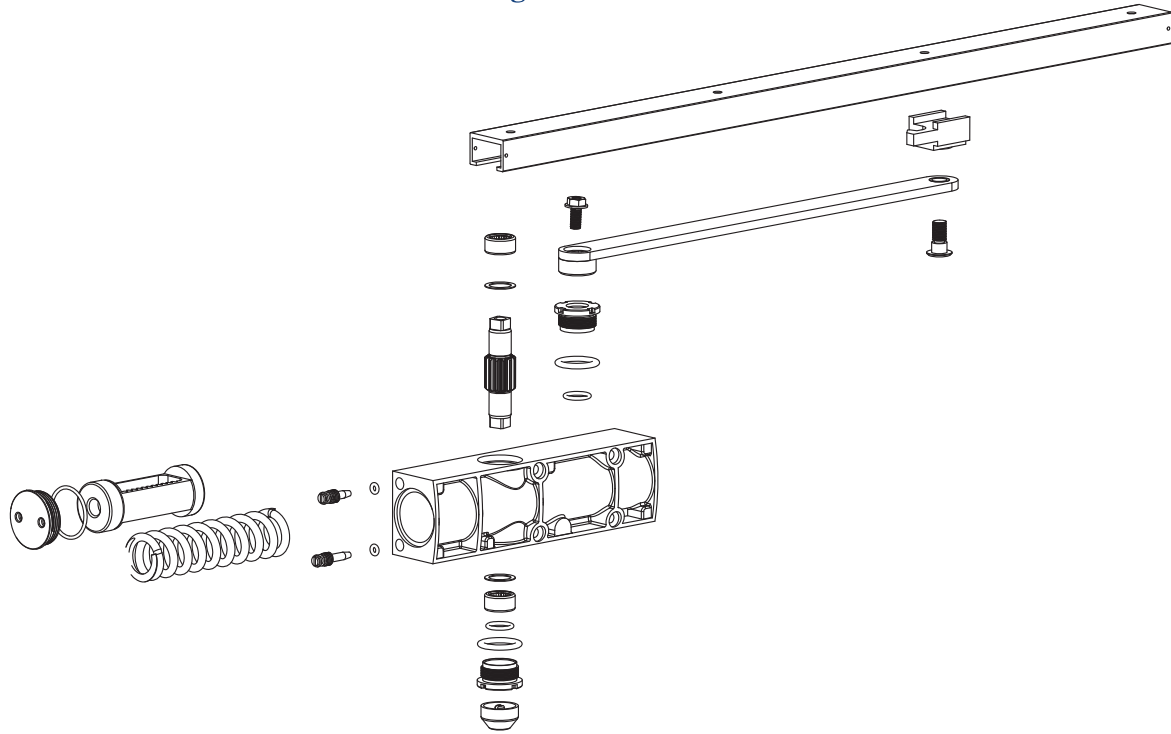
Spring Power	EN2
Durability	100,000 cycles above
Speed Valves	Adjustable Closing speed Adjustable Latching speed
Back Check	NO
Delayed Action	NO
Hold Open	Optional
Fitting Application	Exposed with sliding track arm
Max. Opening	180 °
Suitability for fire protection doors	Yes
Mechanism	Rack & Pinion
Hand of door	Non handed
Materials of Body	Die-cast Aluminum
Materials of Arm	Steel

Bearing	Full complement bearing for long durability
Piston and Pinion	45#steel, 20Cr
Product Description	Closing speed can be individually adjusted Hydraulic latching action which accelerates the door shortly before it is closed
Application	Suitable for wooden door, metal door, and fire rated door
Leaf width (max.)	950mm
Leaf weight (max.)	45KGS
Finish	Silver, Brown, White, Black, Others upon request
Warranty	2 Years

Model:

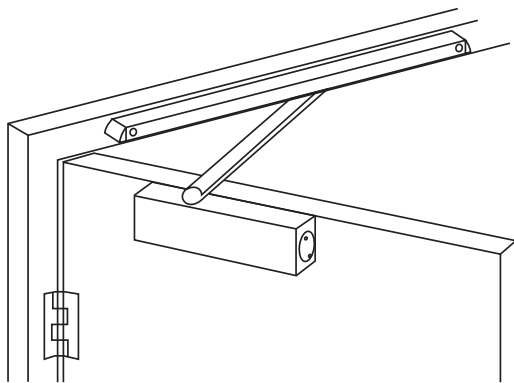
D900H

EN2 Overhead Door Closers With Sliding Track Arm



AVAILABLE INSTALLATION TYPE

Standard install



Slide Track Arm Door Closers

Model #	D900H
Spring power	2#
Recommended Door Weight	25-45 KGS
Recommended Max. Door Leaf Width (mm)	850 mm
Notes	Sliding track arm

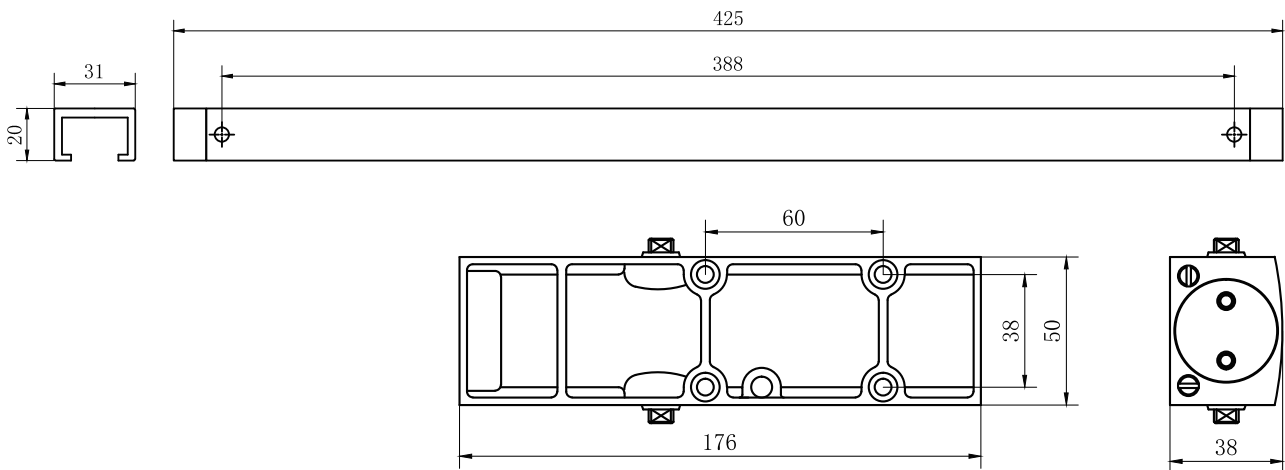
Model:

D900H

EN2 Overhead Door Closers With Sliding Track Arm

PRODUCT DIMENSIONS

Unit:mm



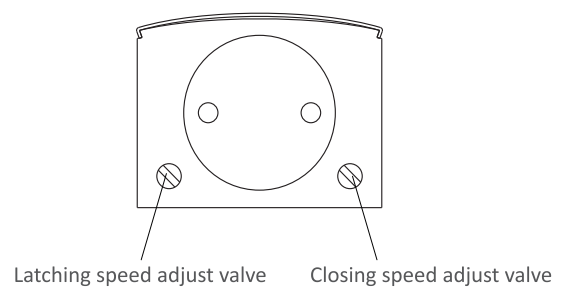
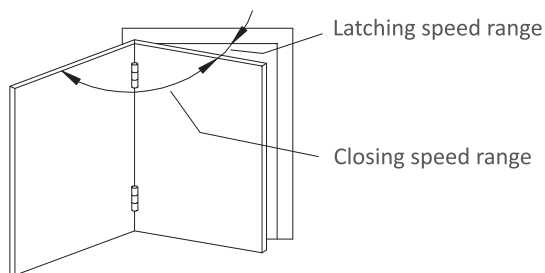
Control and protection of the door.
 The closing speed and final latch action adjustment valves ensure accurate control of the door's performance.
 The version with hold open arm is suitable when the door needs to be kept in a certain position in total safety.
 The versions supplied with the backcheck function protect the structure of the door if it is used improperly.

Note

Installation as per template & installation instruction

 Adjusting speed

Fast  Slow



FLOOR SPRING



Model:

D50

Frameless Hydraulic Single Cylinder Floor Spring

PERFORMANCE FEATURES

- Designed floor spring for various wooden door, metal door & glass door
- Equipped with mechanical buffer device
- With pressure relief valve and thermostat
- Opened uniaxially or bilaterally
- Adjustable spring force #1-4



STANDARD FEATURES

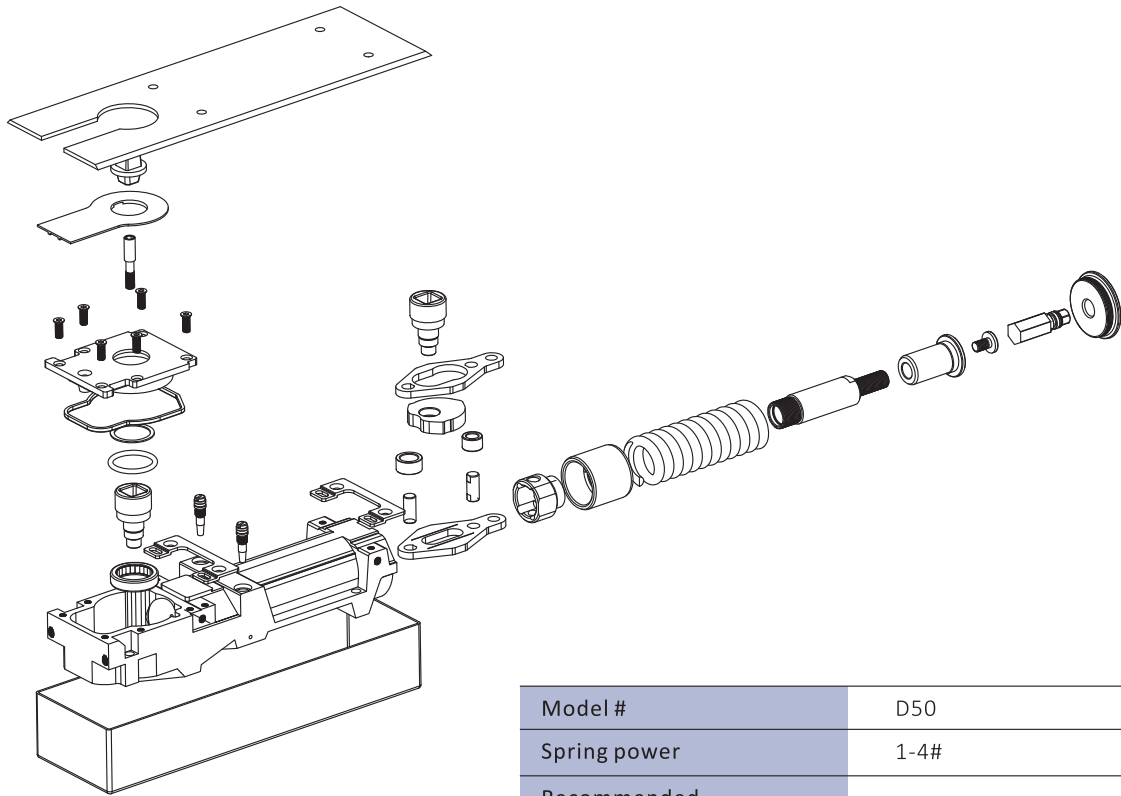
Spring Power	Adjustable 1-4#
Durability	100,000 life cycles and above
Speed Valves	Mechanical buffer device With pressure relief valve
Material	Stainless steel+Iron
Speed Control	Two Section Speed Control
Engine Cylinder	Single
Max Door With	800-1100mm
Max Door Weight	20-150kg
Max Open Degree	110°
Hold Open	90°
Latching Speed Adjustment	5°-15°
Closing Speed Adjustment	15°-90°
Application Temperature	-40°-60°
Product Design	Slim square box design, easy installation
Application	Suitable for various wooden door, metal door & glass door
Finish	Silver, Bronze, Others upon request
Cover Finish	Mirror, Stain
Warranty	1 Year
Dimension	275*82*50mm
Glass thickness	8-12mm
Advantages	Double speed adjustment, ball bearing inside, closing smoothly



Model:

D50

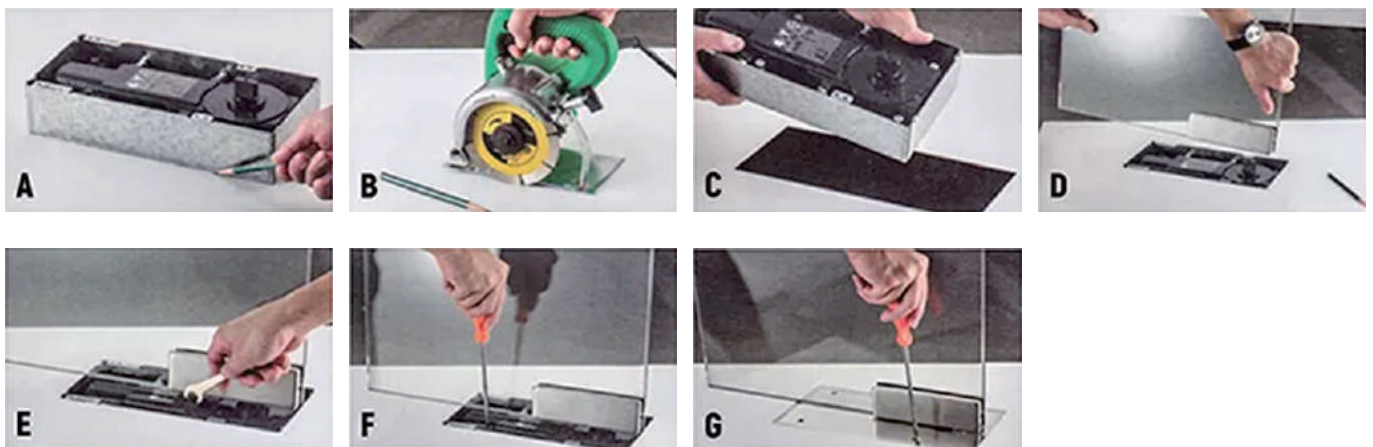
Frameless Hydraulic Single Cylinder Floor Spring



Model #	D50
Spring power	1-4#
Recommended Door Weight	20-150 KGS
Recommended Max. Door Leaf Width (mm)	800-1100mm

AVAILABLE INSTALLATION TYPE

Standard install



Particular attention

In case of unusually high or heavy doors, windy or draughty conditions, or special installations

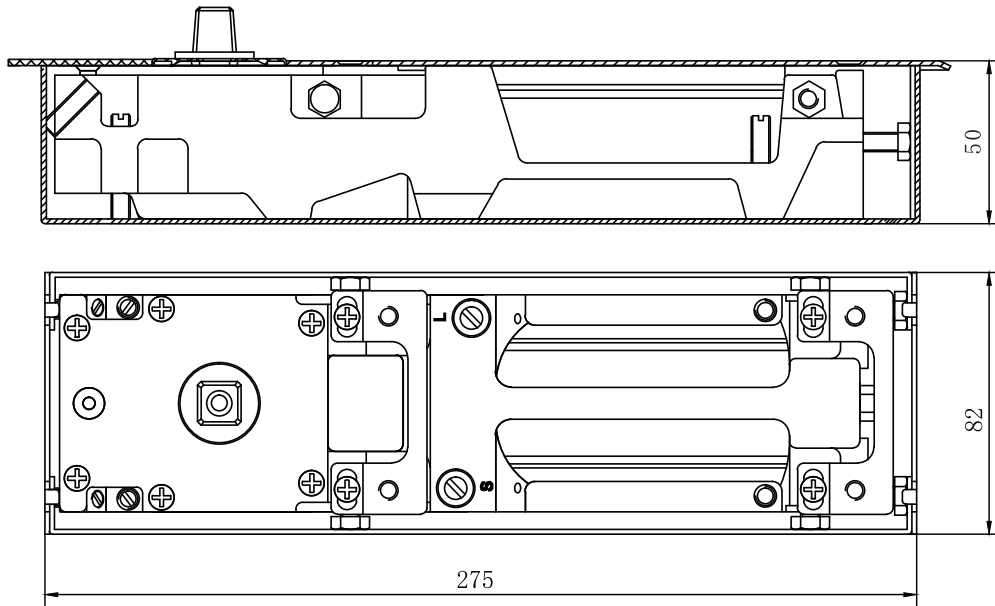
Model:

D50

Frameless Hydraulic Single Cylinder Floor Spring

PRODUCT DIMENSIONS

Unit:mm



Note

Installation as per template & installation instruction

